



German quality you can trust



## Furniture Fittings and Applications

Plan. Design. Realise.

October, 2019

Master Catalogue 2016

ProDecor 2016



Technik für Möbel

  
**Hettich**



Hettich Manufacturing Unit at Vadodara, India

The company's origins date back to 1888, when Karl Hettich began making the new clock component he had invented. By 1930, his descendants had diversified into furniture fittings, setting up production in East Westphalia – a centre of the German furniture industry. Today, Hettich, still family owned, has become an industry leader with a worldwide reputation. We're one of the world's largest manufacturers of high-quality furniture fittings, with over 6,700 employees in more than 100 countries.

The company's success has been built on four enduring values: quality, innovation, close cooperation with customers and absolute reliability.

We work to inspire our customers with our ideas and our passion.

### **Hettich – an Indian success story**

Hettich started operations in India with the dawn of new millennium. In the short span of 14 years, the company has gained the undisputed leadership position in the Indian furniture fittings & hardware industry.

Hettich India prides itself on having most of the major hardware dealers in India as its trade partners across the country. These dealers are spread over all important cities and towns, so that they are within easy reach of the customer. Hettich India delivers complete "peace of mind" to the Indian furniture manufacturing industry. We have a strong reputation for providing high quality and high tech products. Our products are backed by pre- and after-sales service and on-time deliveries, and by value adding services like design and installation support.

### **Quality**

Hettich products stand for high quality. Once assembled, our fittings function perfectly day in, day out. High quality products and processes confirm our sense of value, our self confidence and our image. The way to the quality goal for each one of us is to cultivate an intense quality awareness.

### **Innovation**

The right balance of continuity and innovation generates trust in the Hettich brand. We offer timely, high-value solutions for today's furniture; at the same time, we identify and shape the trends of tomorrow. We review and improve existing solutions ready for the future. Driving innovation is our capacity for looking at things from new angles.

### **Closeness to customers**

For us closeness to customers implies sharpened awareness, attention to detail, a grasp of complex challenges, and efficiency in production and logistics. We know our customers. We're there when our customers need us! The keynote of our partnership with our customers is direct, person-to-person communication.

### **Reliability**

Quality, innovation, closeness to customers – they're nothing without reliability! Reliability encompasses the durability of our products and the reliability of Hettich people – each and every one of us. The solid basis for reliability is robust and stable processes.





### Innovation through expertise

We combine intelligent technology with functionality and design, and then we apply the results to our fittings – from drawer and runner systems, hinges and connecting fittings, to fittings for folding and sliding doors. This is how Hettich has evolved into the global success story it is today. Our unflinching capacity for innovation and dynamic development, and our ability to come up with answers to ever-changing questions has made Hettich a technology leader worldwide. Innovation will always be a powerful driving force at Hettich.



### Protecting the environment

We share responsibility for the world we live in, so we take our commitment to safeguard the environment extremely seriously. Hettich's environmental management system is EMAS – compliant (EMAS is a European environmental standard incorporating ISO14001 requirements). We make every effort to be as green as we can be, so that you can work with us with a clear conscience.

We've made sure that our products and production systems are environment friendly. Almost all Hettich products can be disassembled and fully recycled. Our manufacturing systems are planned to minimize the use of energy and resources. Our products meet RHOS standards and do not damage people's health or the environment. Hettich's high quality products last a long time – which means fewer replacements and thus lower resource consumption. This all makes good economic sense for our customers too.



Hettich Forum at Kirchlengern, Germany



### Warranty

For Warranty please refer to website. [www.hettich.com/in](http://www.hettich.com/in)

\* Refer Website



**FREE** 

Design Services  
incl. bill of qty.

### Free Design Service:

Looking for Designs to liven up your Living Room, Bedroom, Bathroom & Kitchen? A dedicated team of highly qualified Interior Designers is at your service to provide customized design solution to suit every taste and budget at zero cost to you.

### Free Consultation at your doorstep:

Looking for perfect Furniture Fittings solution? A dedicated team of highly qualified professionals is at your service to provide the perfect furniture fittings solution to suit your need and budget at zero cost to you.

### Hettich Customer Care Service:

In today's fast paced and technologically advanced era, most of the organizations succumb to the pressure of staying ahead in the competition and often, end up neglecting the most critical aspect of business i.e. CUSTOMERS. Hettich, being a CUSTOMER CENTRIC organization, is very sensitive towards this tendency; hence, we constantly try to provide the best and quality driven products and services.

### For Enquiry & Customer Services

Toll Free : 1800 209 2096 (office hours)  
Email: [sales\\_enquiry@in.hettich.com](mailto:sales_enquiry@in.hettich.com)  
[customer\\_services@in.hettich.com](mailto:customer_services@in.hettich.com)  
[www.hettich.com](http://www.hettich.com)



# Index

Hinges 4-27

Flap fittings 28-38

Drawer runners 39-100

Drawer systems 101-119

CargoTech 120-145

Kitchen accessories 146-156

Sliding & folding door systems & wardrobes Accessories 157-181

Connecting fittings 182-197

Lock & Handle 198-209

Screws 210-212

Aluminium profiles 213-215

ProDecor: Handle collection 216-221

Light 222-229

BlueMax Mini Type 2 / 6 230-252

Office-furniture systems 253



product  
design  
award  
2009



reddot design award  
winner 2008

None closes more quietly: Sensys has revolutionized the world of hinges. The integrated hidden soft-closing mechanism puts an end to banging doors. A gentle flick of the wrist is enough to let cabinet doors close gently, soundlessly and with a large self-closing range of approx 35°. The design too sets new aesthetic standards. Furniture technology can be as sensuous as this.



Sensys hinges can be fitted and removed without tools. Quickly and ergonomically.



The Sensys product family includes hinges for all standard mounting versions. Virtually any cabinet design can be realized with these hinges.



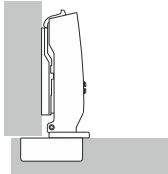
Sensys lets cabinet doors close uniformly and silently - as well as automatically from an opening angle of approx. 35°.



# Concealed hinges

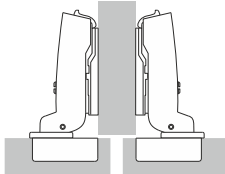
- ▶ Fitting information
- ▶ Sensys, Intermat, SlideOn

### Full overlay



The door is in front of the cabinet wall and only a small gap remains at the side within which the door can open reliably. Alternatively, the door can also be overlaid fully, in which case sufficient space must be allowed at the side for the required minimum reveal. Straight hinges are used.

### Half overlay



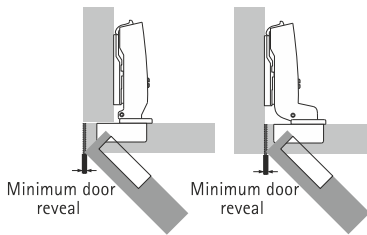
This is where two doors are positioned in front of a cabinet centre panel. The required overall reveal is between them (at least 2 x minimum reveal). In other words, each door has a smaller overlay and cranked hinges are therefore used.

### Inset door



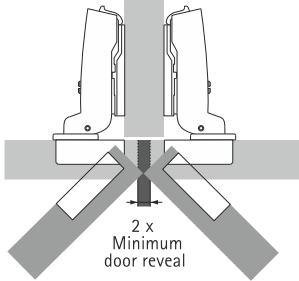
The door is positioned inside the cabinet, i.e. next to the cabinet side. Here too, a gap is needed so that the door can open reliably. Highly cranked hinges are used here. For an inset door, the holes for attaching the mounting plates must be offset to the rear: Position of the fixing holes = 37 mm + door thickness + 1.5 mm + door offset

### Minimum reveal



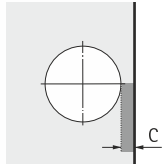
For overlay and inset doors  
The minimum reveal (also known as the door clearance or minimum clearance) is the space required at the side so that the door can open. The size of the minimum reveal depends on the cup distance C, the door thickness and the type of hinge selected. Radii on the door edges reduce the door clearance. The minimum reveal is shown in the table for the respective hinge types.

### Minimum reveal



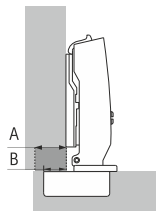
For half overlay doors  
The total reveal selected between the doors must be at least twice the door clearance. Both doors can then be opened at the same time.

### Cup distance C



Cup distance C is the distance between door edge and the edge of the cup drilling. The greater the distance selected for cup distance C, the smaller door clearance will be, i.e. the minimum reveal required.

### Overlay / Basis



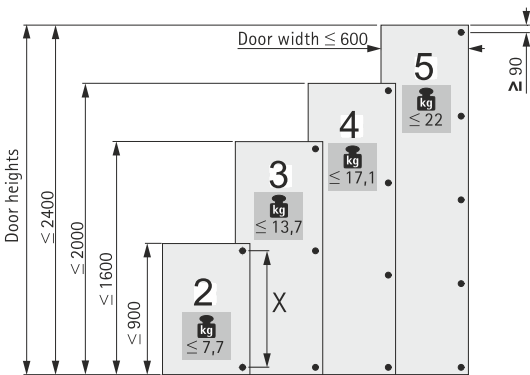
Overlay refers to the projection of the door in front of the cabinet side. Basis refers to the projection of the cup in front of the cabinet side for a mounting-plate distance of 0 mm.

A = Overlay  
B = Basis

### Number of hinges per door

Door width, height and weight as well as the material quality of the door are decisive factors determining the number of hinges required.

The factors encountered in practice differ widely from case to case. For this reason, the number of hinges specified in the diagram must be understood as a guide only. If in doubt, it is recommended to carry out a trial door mounting and adjust the number of hinges as necessary. For reasons of stability, distance X between the hinges must always be made as large as possible.



## Fast-assembly concealed hinges with integrated soft-closure

- ▶ Sensys
- ▶ Range summary



Sensys 8645i

- ▶ For doors up to 22 mm thick
- ▶ 110° opening angle



Sensys 8675

- ▶ For 15-24 mm thick doors
- ▶ 110° opening angle
- (without self closing & soft closing for P20)



Sensys 8631i

- ▶ For doors up to 32mm thick
- ▶ 95° opening angle



Sensys 8639i W30

- ▶ For face angle 30°
- ▶ 95° opening angle



Sensys 8639i W45

- ▶ For face angle 45°
- ▶ 95° opening angle



Sensys 8639i W90

- ▶ For face angle 90°
- ▶ 95° opening angle



Sensys 8638i

- ▶ For 19 mm wide aluminium framed doors
- ▶ 95° opening angle



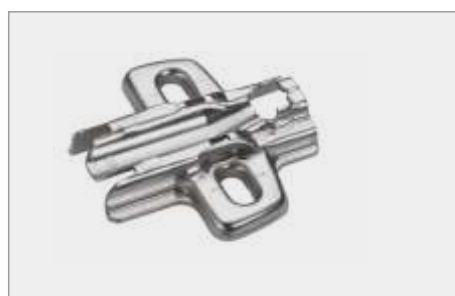
Sensys 8657i Wide opening hinge

- ▶ For door up to 32mm thick
- ▶ 165° opening angle



Intermat 9930 with cup in Sensys design

- ▶ For corner unit folding doors
- ▶ 50° / 65° opening angle



Mounting plates system 8099

- ▶ For Sensys



Accessories



Push to open system for opening handleless furniture fronts



## Fast-assembly concealed hinges with integrated soft-closure

- ▶ Obsidian Black Sensys Hinge
- ▶ Range summary



Sensys 8645i

- ▶ For doors up to 22 mm thick
- ▶ 110° opening angle



Sensys 8631i

- ▶ For doors up to 32mm thick
- ▶ 95° opening angle



Sensys 8657i Wide opening hinge

- ▶ For door up to 32mm thick
- ▶ 165° opening angle



Sensys 8646i

- ▶ For doors up to
- ▶ 110° opening angle



Sensys 8639i W90

- ▶ For face angle 90°
- ▶ 95° opening angle



Mounting plates system 8099

- ▶ For Sensys



Accessories

## Fast-assembly concealed hinges

- ▶ Intermat
- ▶ Range summary



Intermat 9943

- ▶ For doors up to 25 mm thick
- ▶ 110° opening angle



Intermat 9944

- ▶ For doors up to 28 mm thick
- ▶ 125° opening angle



Intermat 9956

- ▶ For doors up to 24 mm thick
- ▶ 165° opening angle



Intermat 9936

- ▶ For profile doors up to 32 mm
- ▶ 95° opening angle



Intermat 9935

- ▶ For profile doors up to 43 mm
- ▶ 95° opening angle



Intermat 9936 W90

- ▶ For profile doors, face angle 90°
- ▶ 95° opening angle



Intermat 9930

- ▶ For corner unit folding doors
- ▶ Opening angle 50° / 65°



Mounting plates System 9000

- ▶ For Intermat



Accessories



Silent System soft closure

- ▶ Optional soft-closing function for Intermat



Push to open opening system

- ▶ Intermat Push to open
- ▶ Opening system for handleless furniture fronts



# Concealed hinges

► Range summary / Technical comparison

	Sensys 	Intermat 	SlideOn 
Page	10-19	20-22	23
Hinge cup mounting	<ul style="list-style-type: none"> <li>► Screw-on version</li> <li>► Press-in version</li> <li>► Flash fast assembly</li> <li>► Fix toolless fast assembly</li> </ul>	<ul style="list-style-type: none"> <li>► Screw-on version</li> <li>► Press-in version</li> <li>► Flash fast assembly</li> <li>► Fix toolless fast assembly</li> </ul>	<ul style="list-style-type: none"> <li>► Screw-on version</li> <li>► Press-in version</li> </ul>
Installation	Snap-on assembly	Snap-on assembly	Slide-on assembly
Soft-closing function	Integrated	Optional	Optional
Opening angle	95° - 110° 165° via upgrade range	95° - 180°	95°
Door adjustment	3-dimensional	3-dimensional	3-dimensional
Optional equipment	<ul style="list-style-type: none"> <li>► Accessories</li> </ul>	<ul style="list-style-type: none"> <li>► Opening system Push to open</li> <li>► Silent System soft closure</li> <li>► Accessories</li> </ul>	<ul style="list-style-type: none"> <li>► Opening system Push to open</li> <li>► Silent System soft closure</li> <li>► Accessories</li> </ul>

# Fast-assembly concealed hinge

► Sensys


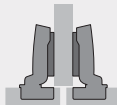
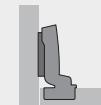
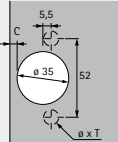


reddot design award  
winner 2008

## Sensys 8645i, opening angle 110° with integrated silent system






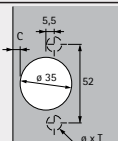
- Concealed hinge with clip on installation & integrated Silent System
- Quality classification under EN 15570, Level 3
- For door thickness 15 - 24 mm
- Cup diameter 35 mm
- Cup depth 12.8 mm
- Integrated +/- 2 mm overlay adjustment
- Integrated depth adjustment + 3 mm / - 2 mm
- Height adjustment at mounting plate
- Hinge arm material: steel, nickel plated
- Hinge cup material: steel, nickel plated

Cup assembly	Drilling pattern	Overlay	Half overlay	Inset	
					
		Base B 12.5 mm	Base B 3 mm	Base B - 4 mm	PU
Screw-on type TH 52		9 071 205	9 071 206	9 071 207	200 ea.

## Sensys 8675, opening angle 110° without self closing feature



- Hinge with clip on installation without self closing feature
- For example for Push to open applications
- Quality classification under EN 15570, Level 3
- For door thickness 15 - 24 mm
- Cup diameter 35 mm
- Cup depth 12.8 mm
- Integrated +/- 2 mm overlay adjustment
- Integrated depth adjustment + 3 mm / - 2 mm
- Height adjustment at mounting plate
- Hinge arm material: steel, nickel plated
- Hinge cup material: steel, nickel plated

Cup assembly	Drilling pattern	Overlay	Half overlay	Inset	
					
		Base B 12.5 mm	Base B 3 mm	Base B - 4 mm	PU
Screw-on type TH 52		9 073 662	9 073 663	9 073 664	1/50 ea.

Mounting plate and accessories see pages 14 & 15


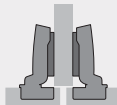
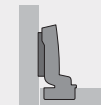
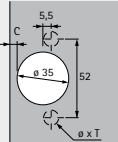
# Fast-assembly concealed hinge

► Sensys

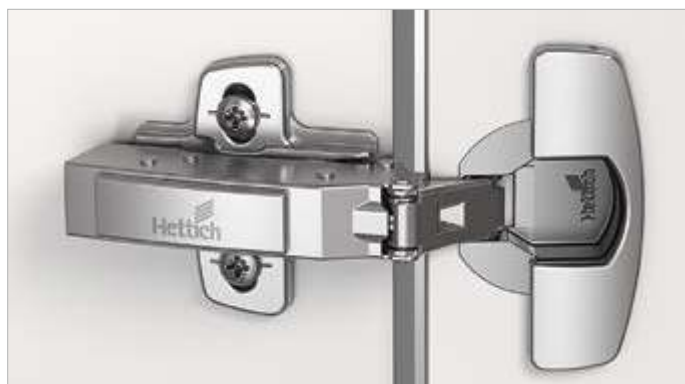
## Sensys 8631i, opening angle 95° for thick doors with integrated silent system






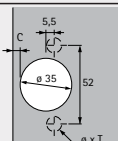
- Concealed hinge with clip on installation without integrated Silent System
- Quality classification under EN 15570, Level 2
- For door thickness of 15 – 32 mm
- Cup diameter 35 mm
- Cup depth 12.8 mm
- Integrated overlay adjustment + 2 mm / - 2 mm
- Integrated depth adjustment + 3 mm / - 2 mm
- Height adjustment at mounting plate
- Hinge arm material: steel nickel plated
- Hinge cup material: steel nickel plated

Cup assembly	Drilling pattern	Overlay	Half overlay	Inset	PU
		 Base B 12.5 mm	 Base B 3 mm	 Base B - 4 mm	
Screw-on type TH 52		9 091 400	9 091 410	9 091 420	1/50 ea.

## Sensys 8646i, opening angle 110° for thin doors with integrated silent system



- Concealed hinge with clip on installation and integrated Silent System
  - Quality classification under EN 15570, Level 3
  - For door thickness of 10 – 16 mm
  - Cup diameter 35 mm
  - Cup depth 7.8 mm
  - Integrated +/- 2 mm overlay adjustment
  - Integrated depth adjustment + 3 mm / - 2 mm
  - Height adjustment at mounting plate
  - Hinge arm material: steel, nickel plated
  - Hinge cup material: steel, nickel plated
- Note:** attachment of the hinge is to be selected depending on the material and quality and is to be assured via a suitable test.

Cup assembly	Drilling pattern	Overlay	Half overlay	Inset	PU
		 Base B 12.5 mm	 Base B 3 mm	 Base B - 4 mm	
Screw-on type TH 52		9 094 270	9 094 280	9 094 290	1/50 ea.

Mounting plate and accessories see pages 14 & 15


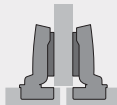
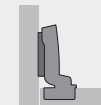
# Fast-assembly concealed hinge

► Sensys

## Sensys 8638i for aluminium framed doors with integrated silent system





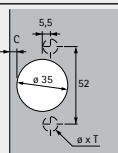
- Concealed hinge with clip on installation and integrated Silent System
- Quality classification under EN 15570, Level 3
- For 19 mm wide aluminium framed profiles
- Integrated overlay adjustment + 2 mm / - 2 mm
- Integrated depth adjustment + 3 mm / - 2 mm
- Height adjustment at mounting plate
- Hinge arm material: steel nickel plated
- Cup hinge material: zinc die-cast nickel plated
- Including 2 fixing screws

		Overlay	Half overlay	Inset	
Cup assembly	Mounting hole $\varnothing \times T$ mm	 Base B 12.5 mm	 Base B 3 mm	 Base B -4 mm	PU
Screw-on type TH 32	-	9 072 524	9 072 525	9 072 526	1/50 ea.

## Sensys 8657i Wide opening hinge zero protrusion with integrated silent system



- Concealed hinge with clip on installation & integrated Silent System
- Quality classification under EN 15570, Level 3
- For door thickness of 15 – 32 mm
- Cup diameter 35 mm
- Cup depth 11.6 mm
- Integrated +/- 2 mm overlay adjustment
- Integrated depth adjustment + 3 mm / - 2 mm
- Height adjustment at mounting plate
- Opening angle can be reduced by means of optional accessories
- Zero protrusion hinge
- Hinge arm material: steel, nickel plated
- Hinge cup material: steel, nickel plated

		Overlay	Half overlay	
Cup assembly	Drilling pattern	 Base B 12.5 mm	 Base B 3 mm	PU
Screw-on type TH 52		9 099 540	9 099 550	1/50 ea.

Mounting plate and accessories see pages 14 & 15




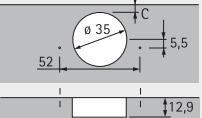
# Fast-assembly concealed hinge

► Sensys

## Sensys 8639i W90 for 90° face angle applications with integrated silent system





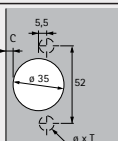
- Concealed hinge with clip on installation and integrated Silent System
- Quality classification under EN 15570, Level 3
- For corner cabinets
- For door thickness 15 - 28 mm
- Cup diameter 35 mm
- Cup depth 12.8 mm
- Integrated adjustment of door offset + 1 mm / - 2 mm
- Integrated reveal adjustment + 3 mm / - 2 mm
- Height adjustment at mounting plate
- Hinge arm material: zinc die-cast nickel plated
- Hinge cup material: steel nickel plated

Cup assembly	Drilling pattern	Inset 		
		Base B 4 mm (Cranking 4 mm)		PU
Screw-on type TH 52		9 088 021		1/50 ea.

## Sensys 8639i W45 for 45° face angle applications with integrated silent system



- Concealed hinge with clip on installation and integrated Silent System
- Quality classification under EN 15570, Level 3
- For diagonal base units, carcass angle 135°
- For door thickness 15 - 28 mm
- Cup diameter 35 mm
- Cup depth 12.8 mm
- Integrated overlay adjustment + 2 mm / - 2 mm
- Integrated depth adjustment + 3 mm / - 2 mm
- Height adjustment at mounting plate
- Hinge arm material: zinc die-cast nickel plated
- Hinge cup material: steel nickel plated

Cup assembly	Drilling pattern	Overlay 		Inset 		
		Base B 9 mm	Base B -2 mm	Base B - 25 mm		PU
Screw-on type TH 52		9 088 018	9 088 019	9 088 020		1/50 ea.

Mounting plate and accessories see pages 14 & 15

# Concealed hinges

## ► Range summary / Technical comparison

### Adapter for glue mounting



- Adapter for glue mounting for Sensys
- Quality classification defined by the hinges used
- For use with
  - Sensys 8645i, B -4 mm, TH 52
  - Sensys 8631i, B -4 mm, TH 52
  - Sensys 8657i, B 3 mm, TH 52
  - the relevant product version without integrated Silent System or without self closing feature can be used in the same way
- For glass doors
- For glass thickness of 3 - 7 mm
- For use with UV hardening adhesive
- Supplied without adhesive
- Material: zinc die-cast nickel plated

Item Description	Order no.	PU
Full overlay (To be used with Sensys 8657i B3 mm Art. Nos. 9099550) (with fixing screws)	9 076 738	50
Half overlay (To be used with Sensys 8657i B3 mm Art. Nos. 9099550) (with fixing screws)	9 076 738	50
Inset (To be used with Sensys 8631i B - 4 mm Art. Nos. 9091420 or Sensys 8645i - 4 mm Art. Nos 9073607) (with fixing screws)	9 076 738	50
Fixing screws for above adapter	9 076 418	100

### Cover cap for Sensys hinge arm



- Can be used with Sensys hinges apart from 8657i / 8657 / 8687
- Cover caps with customised embossed or printed logo on request
- Steel, nickel plated

Version	Order no.	PU
Embossed with Hettich logo	9 088 250	1/50 ea.

### Cover cap for Sensys zero protrusion hinge



- Can be used with Sensys hinges 8657i, 8657, 8687
- Cover caps with customised print available on request
- Plastic, anthracite

Type	Order no.	PU
Printed with Hettich logo	9 099 871	1/50 ea.

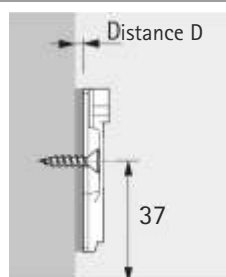
### Cover cap for Sensys hinge cup



- Can be used for Sensys and Intermat 9930 with cup in Sensys Design
- Steel, nickel-plated

Version	Size Xmm	Order no.	PU
for TH52 / TH53 / TH 54	68.2	9 088 251	1/50 ea.

### Screw-on cross mounting plate for Sensys



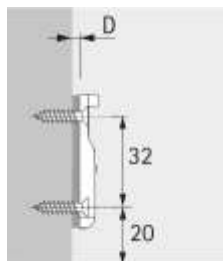
- For  $\varnothing$  4.5 x 16 mm countersunk wood screws
- Hole spacing 32 mm
- Oblong hole height adjustment  $\pm$  3 mm
- Steel, nickel-plated

Distance D mm	Order no.	PU
0.0	9 071 575	1/200 ea.

## Concealed hinges

### ► Range summary / Technical comparison

#### Linear mounting plate for screwing on



- For 3.5 mm  $\times$  16 mm countersunk screws
- Quality classification under EN 15570, Level 3
- Oblong hole height adjustment  $\pm$  1.6 mm
- Zinc die-cast nickel plated

Distance D mm	Order no.	PU
0.5	9 088 244	1/50 ea.

#### Soft opening for Sensys zero protrusion hinge



- Can be used with Sensys hinge 8657i
- Cannot be combined with opening angle limiter for 8657i
- Plastic, anthracite

Door mounting option	Order no.	PU
full overlay	9 100 037	1/50 ea.
half overlay	9 100 116	1/50 ea.

#### Opening angle limiter for Sensys 8657i



- For reducing the opening angle of doors with adjoining elements
- Avoids damage to the front panel
- Also suitable for hinges without Silent System, without self closing feature
- Plastic, anthracite
- For installation notes, see Technical information

Type	Order no.	PU
Limitation from 165° to 90° or 135°	9 090 864	1/50 ea.

#### Screw-on cross mounting plate for Intermat



- For  $\varnothing$  4.5 x 16 mm countersunk wood screws
- Hole spacing 32 mm
- Oblong hole height adjustment  $\pm$  2 mm
- Steel, nickel-plated (D0 - D5)
- Nickel-plated die-cast zinc (D8, D11)

Distance D mm	Order no.	PU
0.0	0 072 983	1/400 ea.

#### Fixing screws



Version	Size mm	Order no.	PU
Screw and sleeve TH 43	$\varnothing$ 10 x 11	0 045 169	200 set


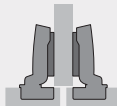

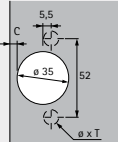
# Fast assembly concealed hinge

## ► Obsidian Black Sensys Hinge

### Obsidian Black Sensys 8645i Hinge - TH52 for 15-24 mm thick doors; Opening angle 110°




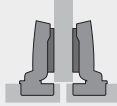

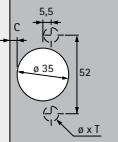
- Concealed hinge with clip on installation Et and integrated Silent System
- Quality classification under EN 15570, Level 3
- For door thickness 15 - 24 mm
- Cup diameter 35 mm
- Cup depth 12.8 mm
- Integrated +/- 2 mm overlay adjustment
- Integrated depth adjustment + 3 mm / - 2 mm
- Height adjustment at mounting plate
- Hinge arm material: steel, nickel plated
- Hinge cup material: steel, nickel plated
- Finish: Obsidian Black

Cup assembly	Drilling pattern	Overlay	Half overlay	Inset	
					
		Base B 12.5 mm	Base B 3 mm	Base B - 4 mm	PU
Screw-on type TH 52		9 091 738	9 091 739	9 091 740	50 ea.

### Obsidian Black Sensys 8631i Hinge - TH52 for 15-32 mm thick doors; Opening angle 95°



- Concealed hinge with clip on installation without integrated Silent System
- Quality classification under EN 15570, Level 2
- For door thickness of 15 - 32 mm
- Cup diameter 35 mm
- Cup depth 12.8 mm
- Integrated overlay adjustment + 2 mm / - 2 mm
- Integrated depth adjustment + 3 mm / - 2 mm
- Height adjustment at mounting plate
- Hinge arm material: steel nickel plated
- Hinge cup material: steel nickel plated
- Finish: Obsidian Black

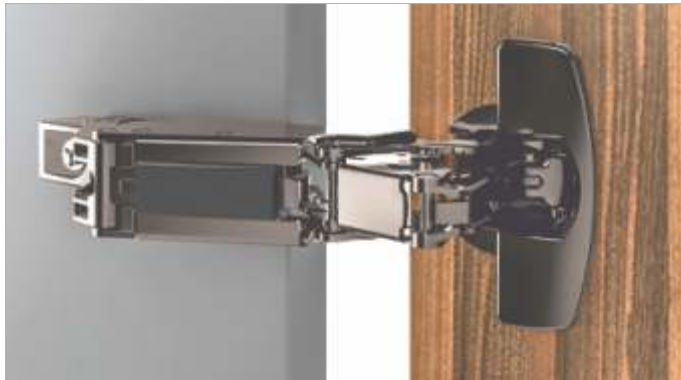
Cup assembly	Drilling pattern	Overlay	Half overlay	Inset	
					
		Base B 12.5 mm	Base B 3 mm	Base B - 4 mm	PU
Screw-on type TH 52		9 091 753	9 091 755	9 091 756	50 ea.




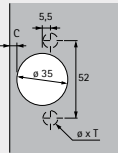
# Fast assembly concealed hinge

## ► Obsidian Black Sensys Hinge

### Obsidian Black Sensys 8657i Hinge-TH52 for 15-32 mm thick doors; Opening angle 165° (Zero Protrusion Hinge)




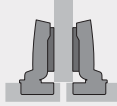

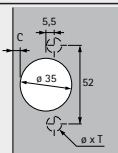
- Concealed hinge with clip on installation & integrated Silent System
- Quality classification under EN 15570, Level 3
- For door thickness of 15 – 32 mm
- Cup diameter 35 mm
- Cup depth 11.6 mm
- Integrated +/- 2 mm overlay adjustment
- Integrated depth adjustment + 3 mm / - 2 mm
- Height adjustment at mounting plate
- Opening angle can be reduced by means of optional accessories
- Zero protrusion hinge
- Hinge arm material: steel, nickel plated
- Hinge cup material: steel, nickel plated
- Finish: Obsidian Black

Cup assembly	Drilling pattern	 Base B 12.5 mm	PU
Screw-on type TH 52		9 091 767	50 ea.

### Obsidian Black Sensys 8646i Hinge - TH52 for 10-16 mm Thin door; Opening angle 110°



- Concealed hinge with clip on installation and integrated Silent System
- Quality classification under EN 15570, Level 3
- For door thickness of 10 – 16 mm
- Cup diameter 35 mm
- Cup depth 7.8 mm
- Integrated +/- 2 mm overlay adjustment
- Integrated depth adjustment + 3 mm / - 2 mm
- Height adjustment at mounting plate
- Hinge arm material: steel, nickel plated
- Hinge cup material: steel, nickel plated
- Note:** attachment of the hinge is to be selected depending on the material and quality and is to be assured via a suitable test.
- Finish: Obsidian Black

Cup assembly	Drilling pattern	 Base B 12.5 mm	 Base B 3 mm	 Base B - 4 mm	PU
Screw-on type TH 52		9 091761	9 091762	9 091763	50 ea.


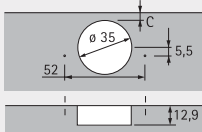
# Fast assembly concealed hinge

## ► Obsidian Black Sensys Hinge

Obsidian Black Sensys 8639i W90 Hinge - TH52 for 90° Face Angle Application; Opening angle 95°



- Concealed hinge with clip on installation and integrated Silent System
- Quality classification under EN 15570, Level 3
- For corner cabinets
- For door thickness 15 - 28 mm
- Cup diameter 35 mm
- Cup depth 12.8 mm
- Integrated adjustment of door offset + 1 mm / - 2 mm
- Integrated reveal adjustment + 3 mm / - 2 mm
- Height adjustment at mounting plate
- Hinge arm material: zinc die-cast nickel plated
- Hinge cup material: steel nickel plated
- Finish: Obsidian Black

Cup assembly	Drilling pattern	Inset 	PU
Screw-on type TH 52		Base B 4 mm (Cranking 4 mm)	50 ea.



Hettich transfers the natural principle of skilful camouflage to the furniture design with Sensys in obsidian black.

## Concealed hinges

### ► Range summary / Technical comparison

#### Cover cap for Sensys hinge arm



- Can be used with Sensys hinges apart from 8657i
- Cover caps with customised embossed or printed logo on request
- Steel, nickel plated

Version	Order no.	PU
Embossed with Hettich logo	9 088 250	1/50 ea.

#### Linear Mounting Plate



- Can be used with Sensys hinges 8657i
- Cover caps with customised print available on request
- Plastic, anthracite

Type	Order no.	PU
Printed with Hettich logo	9 091 815	1/50 ea.

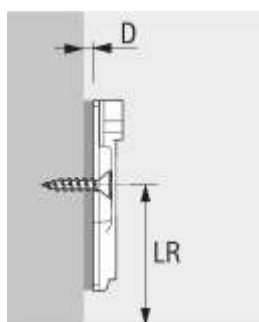
#### Sensys Cover Cap for Hinge Cup



- Can be used for Sensys and Intermat 9930 with cup in Sensys Design
- Steel, nickel-plated

Version	Size Xmm	Order no.	PU
for TH52 / TH53 / TH 54	68.2	9 091 820	1/50 ea.

#### Sensys Cross Mounting Plate with Eccentric CAM



- For  $\varnothing$  4.5 x 16 mm countersunk wood screws
- Hole spacing 32 mm
- Oblong hole height adjustment  $\pm$  3 mm
- Steel, nickel-plated

Distance D mm	Order no.	PU
0.0	9 091 803	1/50 ea.



# Fast-assembly concealed hinge

► Intermat

## Intermat 9943 (opening angle 110°) for panel thickness upto 25 mm



- Concealed hinge with clip on assembly
- Quality classification under EN 15570, Level 3
- For door thickness 15 - 25 mm
- Cup diameter 35 mm
- Cup depth 11.6 mm
- Integrated overlay adjustment + 2 mm / - 2 mm
- Integrated depth adjustment + 2.5 mm / - 1.5 mm
- Height adjustment at mounting plate
- Hinge arm material: steel, nickel plated
- Hinge cup material: steel, nickel plated

Cup assembly	Drilling pattern	Overlay	Half overlay	Inset	
		Base B 12.5 mm (Cranking 0 mm)	Base B 3 mm (Cranking 9.5 mm)	Base B - 3.5 mm (Cranking 16 mm)	PU
Screw-on type TH 42		0 048 049	0 048 051	0 048 052	1/50 ea.

## Intermat 9936 (opening angle 95°) for panel thickness upto 32 mm



- Concealed hinge with clip on assembly
- Quality classification under EN 15570, Level 2
- For door thickness 14 - 32 mm
- Cup diameter 35 mm
- Cup depth 11.1 mm (Fix 11.6 mm)
- Integrated overlay adjustment + 2 mm / - 2 mm
- Integrated depth adjustment + 2.5 mm / - 1.5 mm
- Height adjustment at mounting plate
- Hinge arm material: steel, nickel plated
- Hinge cup material: steel, nickel plated

Cup assembly	Drilling pattern	Overlay	Half overlay	Inset	
		Base B 12.5 mm (Cranking 0 mm)	Base B 3 mm (Cranking 9.5 mm)	Base B - 3.5 mm (Cranking 16 mm)	PU
Screw-on type TH 42		0 073 913	0 073 917	0 073 921	1/50 ea.

Mounting plate and accessories see page 23




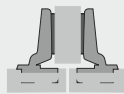

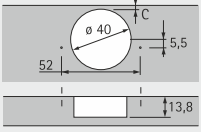
# Fast-assembly concealed hinge

► Intermat

## Intermat 9935 (opening angle 95°) for panel thickness upto 43 mm




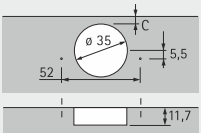
- Concealed hinge with clip on assembly
- Quality classification under EN 15570, Level 2
- For door thickness 16 - 43 mm
- Cup diameter 40 mm
- Cup depth 13.7 mm
- Integrated overlay adjustment + 2 mm / - 2 mm
- Integrated depth adjustment + 2.5 mm / - 1.5 mm
- Height adjustment at mounting plate
- Hinge arm material: zinc die-cast nickel plated
- Hinge cup material: zinc die-cast nickel plated

		Overlay	Half overlay	Inset	
Cup assembly	Drilling pattern	 Base B 18 mm (Cranking - 5 mm)	 Base B 8 mm (Cranking 5 mm)	 Base B - 3 mm (Cranking 16 mm)	PU
Screw-on type TH 22		0 073 925	0 073 926	0 073 927	1/10 ea.

## Intermat 9956 (opening angle 165°) Wide angle hinge



- Concealed hinge for snap-on attachment
- Quality grades to EN 15570, Level 2
- For doors 16 - 24 mm thick
- Cup diameter 35 mm
- Cup depth 11.6 mm
- Integrated overlay adjustment + 1 mm / - 2.5 mm
- Integrated depth adjustment 4 mm
- Height adjustment at mounting plate
- Opening angle can be infinitely reduced to 120°, screw for limiting the opening angle

		Overlay	
Cup assembly	Drilling pattern	 Base B 12.5 mm (Cranking 0 mm)	
Screw-on type TH 42		0 072 947	1/50 ea.

Mounting plate and accessories see page 23

# Fast-assembly concealed hinge

► Intermat

## Intermat 9930 (opening angle 50° / 65°) Bifold hinge



- Concealed hinge with clip on assembly
- Quality classification under EN 15570, Level 2
- Cup diameter 35 mm
- Cup depth 11.1 mm (Fix 11.6 mm)
- Diagonal adjustment + 9.5 mm / - 9.5 mm
- Integrated overlay adjustment, see diagram
- For integrated depth adjustment, see diagram
- Height adjustment at mounting plate
- Hinge arm material: zinc die-cast nickel plated
- Hinge cup material: steel, nickel plated

Cup assembly	Drilling pattern	Overlay	Overlay	PU
Screw-on type TH 42		0 045 036	9 090 109	1/50 ea.

## Intermat 9936 W90 for profile doors (opening angle 95°) Blind corner hinge



- Concealed hinge with clip on assembly
- Quality classification under EN 15570, Level 2
- For 90° carcass angle
- For door thickness 14 - 28 mm
- Cup diameter 35 mm
- Cup depth 11.1 mm (Fix 11.6 mm)
- Integrated adjustment of door offset + 2 mm / - 2 mm
- Integrated reveal adjustment + 2 mm / - 2 mm
- Height adjustment at mounting plate
- Hinge arm material: zinc die-cast nickel plated
- Hinge cup material: steel, nickel plated

Cup assembly	Drilling pattern	Inset	PU
Screw-on type TH 42		Base B 5 mm (Cranking 5 mm)	1/50 ea.

Mounting plate and accessories see page 23




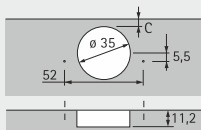
# Fast-assembly concealed hinge

► SlideOn

## SlideOn 2333 (opening angle 95°)



- Concealed hinge with slide on assembly
- Quality classification under EN 15570, Level 2
- For door thickness 14 - 25 mm
- Cup diameter 35 mm
- Cup depth 11.1 mm
- Integrated overlay adjustment + 0.5 mm / - 2.5 mm
- Integrated depth adjustment + 2 mm / - 2 mm
- Height adjustment at mounting plate
- Hinge arm material: steel, nickel plated
- Hinge cup material: steel, nickel plated

		Overlay	Half overlay	Inset	
Cup assembly	Drilling pattern	 Base B 14.5 mm (Cranking 0 mm)	 Base B 5 mm (Cranking 9.5 mm)	 Base B - 1.5 mm (Cranking 16 mm)	PU
Screw-on type TH 42		1 078 660	1 078 661	1 078 662	200 ea.

## Add-on Soft Closure Silent System Full Overlay for SlideOn Hinge

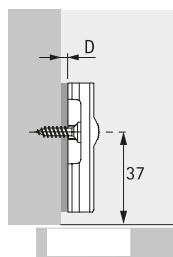


Set comprises: ( If ordered with SlideOn hinge)

- 2 pc of SlideOn hinge
- 2 pc of mounting plate
- 1 silent system cushioner

Version	Order no.	PU
Screw on type TH 42	9 042 758	1/100 ea.

## Cross mounting plate for screwing on



- For 4.5 mm  $\times$  16 mm countersunk screws
- Quality classification under EN 15570, Level 2
- Hole spacing 32 mm
- Oblong hole height adjustment  $\pm$  2 mm
- Distance D = 0 cannot be used with hinge base 14.5
- Steel, nickel plated

Distance D mm	Order no.	PU
1.5	1 079 198	1/100 ea.

# Push to open opening system for handleless furniture fronts

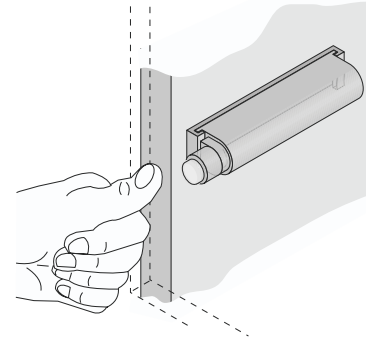
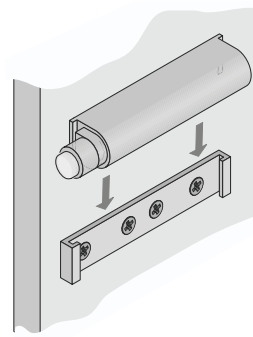
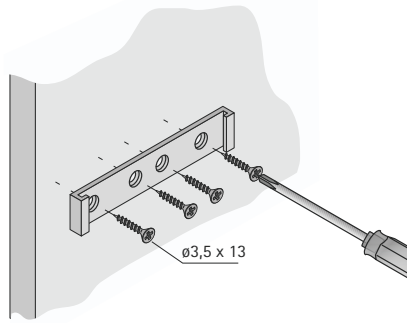
- ▶ Push to open Pin for screwing on / Accessories
- ▶ For hinges with self closing feature

## P20 Universal Maxi



- ▶ P20 Universal
- ▶ Door-opening system for handleless furniture doors.
- ▶ Overlay and inset doors
- ▶ For door widths of 300-600 mm and door heights of 300-2400 mm.
- ▶ Can be used with concealed hinges from the following ranges
  - Intermat
  - Slide-on

Article	Order no. / colour white	PU
P20 Universal Maxi	9 051 925	25



## P20 Universal Kurz

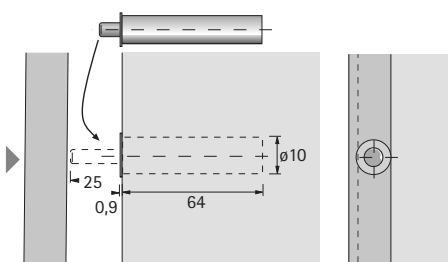


- ▶ Door opening system for handle-free furniture doors
- ▶ For drilling in for resting door stop
- ▶ For door widths of 300 - 600 mm and door heights of 300 - 1600 mm
- ▶ Can be used with automatic hinges of the series
  - Intermat
  - Slide-on
  - Perfect
- ▶ Gray plastic

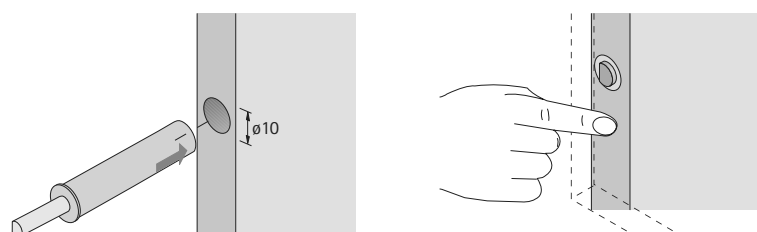


Article	Order no. / colour white	PU
P20 Universal Kurz	9 079 397	1

Door stop resting



Montage





# Assorted Hinges

## Glass-door hinge ET 150

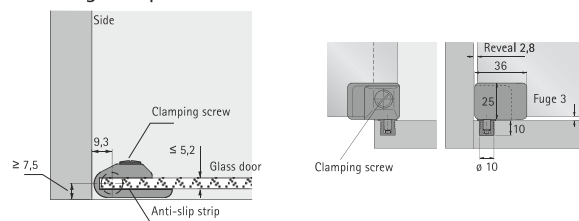


- ▶ Door size max. 1000 x 500 mm
- ▶ Glass thickness max. 5.2 mm
- ▶ Opening angle 105°
- ▶ A reveal of 3 mm is required at the top and bottom, as well as 2.8 mm at the sides
- ▶ The hinge is secured to the glass door by a clamping screw making it unnecessary to drill into the glass.
- ▶ Zinc, die cast

### Push handle

- ▶ Design matches glass-door hinge ET 150
- ▶ The handle is secured to the glass door by a clamping screw
- ▶ Door is kept closed by the magnetic catch D7 / GP9 (black plastic)
- ▶ Dimensions: height 25 mm, width 36 mm, depth 17 mm
- ▶ Zinc, die cast

### Mounting examples:



### Note:

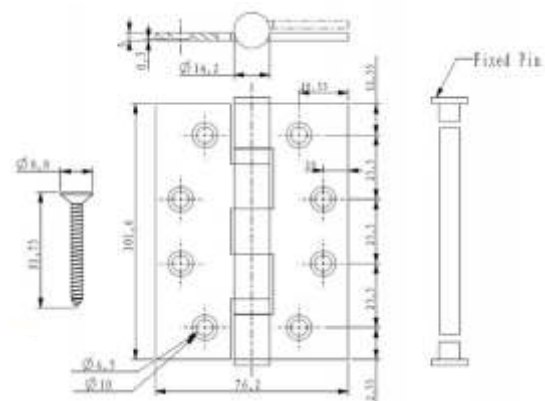
Glass-door hinge is only available as a complete set comprising a top and bottom hinge.

Article	Finish	Order no.	PU
Glass-door hinge ET 150	Nickel-plated matt	0 020 870	1/20 pair
Push handle on left	Nickel-plated matt	0 020 871	1/20 ea.
Push handle on right	Nickel-plated matt	0 020 872	1/20 ea.
Magnetic catch D7 / GP9	Black plastic	0 020 873	1/20 ea.

## Butt Hinges SS 304



- ▶ Ø Barrel diameter : 14.2 mm
- ▶ Material thickness : 3 mm
- ▶ Pointed wood screw: 8 x 40 mm
- ▶ Door types: Unrebrated security
- ▶ Left / Right useable
- ▶ Suitable for mortise flush security doors
- ▶ Door Material: Steel, Wooden Doors
- ▶ Frame types: Wood, Steel



Article	Unit	Order no.	PU
SS 304 (4" x 3" x 3") with 8 fixing screws	Pc	0 142 381	20
SS 304 (5" x 3" x 3") with 8 fixing screws	Pc	1 129 304	20
SS 304 (4" x 3" x 3") without screws - Bulk pack	Pc	9 230 906 00	100
SS 304 (5" x 3" x 3") without screws - Bulk pack	Pc	9 230 907 00	100

# HIN - Ball Bearing Hinge

## HIN - Ball Bearing Hinge



### Features:

- ▶ SS 304 Hinge with Stainless Steel Pin
- ▶ Loading Capacity up to 80 kg per 3 hinges
- ▶ Tested acc. to EN 1935 (Class 13) for 200,000 cycles
- ▶ Tested for 120 min Fire Resistant according to EN 1634
- ▶ High Quality PVD Coating Thickness: 16 Micron
- ▶ Supplied with SS Philips head screws
- ▶ Recommended for Both Steel & Wooden doors

### Technical details:

- ▶ Ø Barrel diameter: 14 mm
- ▶ Leaf thickness: 3 mm
- ▶ Screws Size: 4.8x31 mm
- ▶ Milling for doors: 3 mm
- ▶ Edge available: Square and Round edge
- ▶ Hole Pattern: C type & Z type
- ▶ Leaf Material: SS 304
- ▶ DIN Left/Right Usable
- ▶ Available Sizes: 5x3x3 / 4x3x3
- ▶ Finish Available: Stainless Steel Satin, Polished Stainless Steel, Polished Brass & Antique Brass



Satin Stainless Steel (SSS)



Polished Brass (PB)



Polished Stainless Steel (PSS)



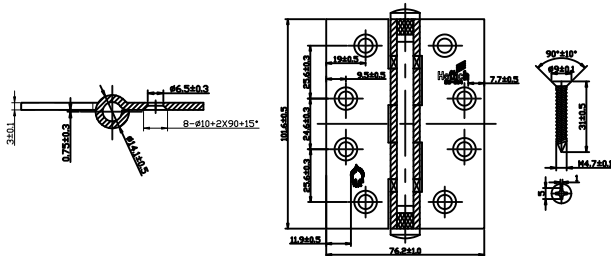
Antique Brass (AB)

Approved & Certified Product:

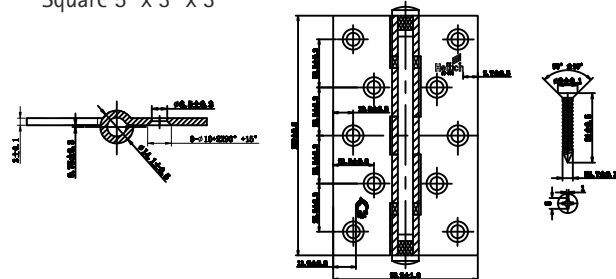


## Dimension Drawing

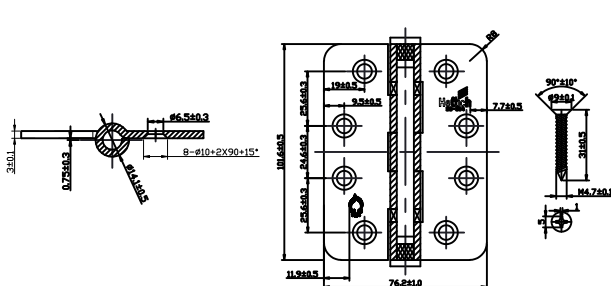
### Square 4" x 3" x 3



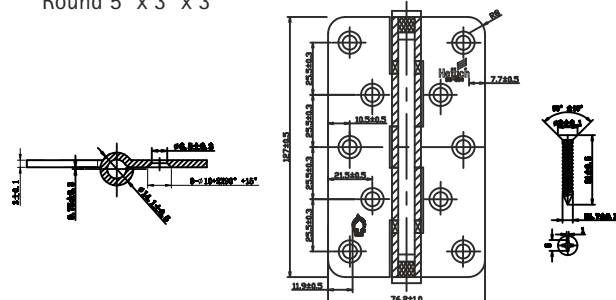
### Square 5" x 3" x 3



### Round 4" x 3" x 3



### Round 5" x 3" x 3



S.no.	Description (Base Material: SS 304)	Satin SS	Polished Brass	Polished SS	Antique Brass	Unit	PU
1	4" x 3" x 3 Square (Hole Pattern: C)	9 268 610	9 268 382	9 268 198	9 268 383	Pair	20
2	4" x 3" x 3 Round (Hole Pattern: C)	9 268 384	9 268 386	9 268 385	9 268 387	Pair	20
3	5" x 3" x 3 Square (Hole Pattern: Z)	9 268 631	9 268 389	9 268 388	9 268 390	Pair	20
4	5" x 3" x 3 Round (Hole Pattern: Z)	9 268 632	9 268 392	9 268 391	9 268 393	Pair	20

NOTE: SSS: Satin Stainless Steel PB: Polished Brass PSS: Polished Stainless Steel AB: Antique Brass

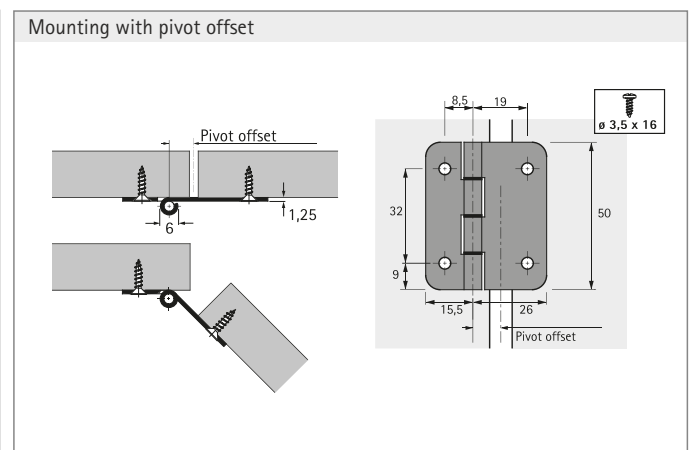
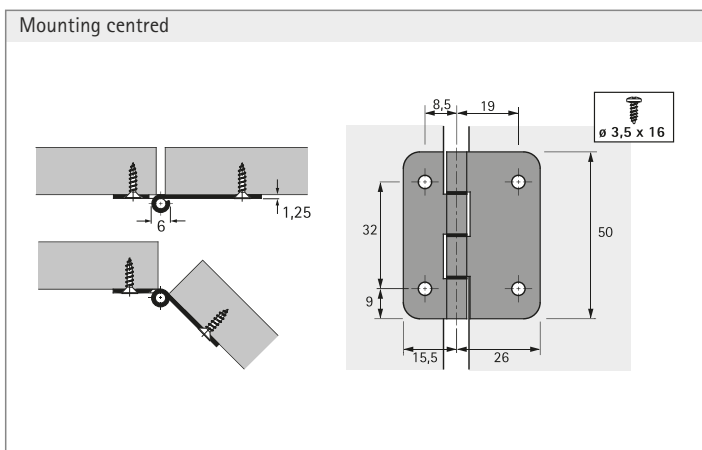
# Assorted Hinges

## Centre hinge 625 for folding doors, opening angle 180°



- ▶ Centre hinge for folding doors
- ▶ Can be installed at the centre or with pivot offset
- ▶ Top running performance due to abrasion resistant distance rings with pivot bearing
- ▶ With fixed steel pin
- ▶ Steel, nickel plated

Order no.	PU
0 071 648	1/10 ea.

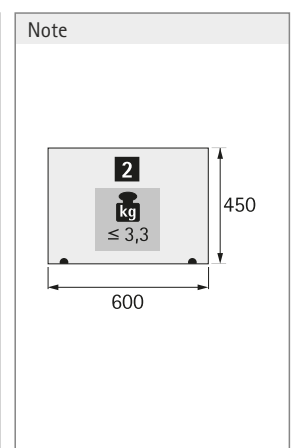
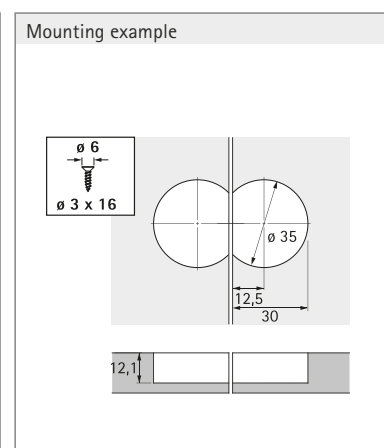
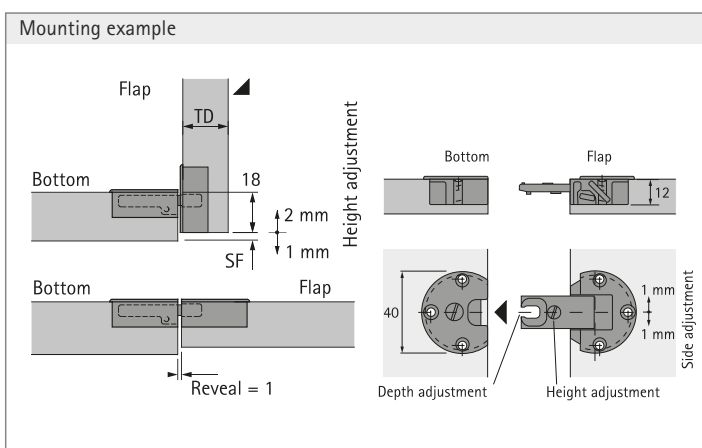


## Markant 11 flap hinge for overlay flaps



- ▶ Flap hinge for overlay flaps
- ▶ Quality classification under EN 15828, Level 2
- ▶ Separate installation of bottom panel and flap element
- ▶ Flap alignment through adjustment of height, sides and depth
- ▶ Same drilling sizes in bottom panel and flap elements
- ▶ Hole drilling concealed by rim on both parts
- ▶ Without height adjustment, bottom panel and flap are flush on the inside when open
- ▶ Can only be used in conjunction with flap stays
- ▶ Zinc die-cast nickel plated

Order no.	PU
0 040 242	1/20 ea.





## Lift Advanced



A modern kitchen is expected to be packed with many different functions and ergonomic arrangements. The Lift Advanced flap fitting meets that requirement in several respects. The fitting comes in four outstanding varieties with you can meet simply every requirement.

The special advantage of Lift Advanced: it uses the same cabinet drilling pattern for all four varieties.



Superior convenience:  
Lift Advanced with individually adjustable opening force and cushioned closure.



Lift Advanced is suitable for various carcass widths and heights, for wooden fronts, as well as for fronts with wood or aluminium frame.

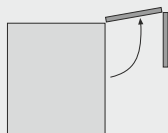
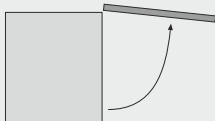
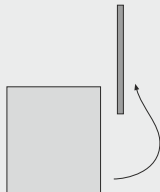


Three-dimensional front adjustment guarantees perfect gap alignment.



# Lift Advanced

## ► Range summary / Technical comparison

	Lift Advanced HF	Lift Advanced HK	Lift Advanced HL
			
Page	32	33	34
Flap movement	Folding-flap fitting	Upward opening flap fitting	Flap lift fitting
Flap weight	15.4 kg max. (including handle)	17.9 kg max. (including handle)	17.6 kg max. (including handle)
Adjustable opening force	Yes	Yes	Yes
Silent System integrated	Cushioned closing action	Cushioned closing action	Cushioned closing action
Material door / door frame	Wood / wooden frame / 19 mm wide aluminium profile frame	Wood / wooden frame / 19 mm wide aluminium profile frame	Wood / wooden frame / 19 mm wide aluminium profile frame
Inside carcase dimensions Depth Width	Min. 182 mm Min. 300 mm	Min. 182 mm Min. 300 mm	Min. 182 mm Min. 300 mm
Front adjustment Height Side Tilt / Depth	± 2 mm ± 2 mm ± 2 mm	depending on hinge used	± 2 mm ± 2 mm ± 2 mm
Material Housing Hinge mechanism	Plastic, grey Powder-coated aluminium, silver	Plastic, grey Powder-coated aluminium, silver	Plastic, grey Powder-coated aluminium, silver

# Lift Advanced

► Range summary / Technical comparison

Lift Advanced HS	
	
35	
Lift-up flap fitting	
15.3 kg max. (including handle)	
Yes	
Cushioned closing action	
Wood / wooden frame / 19 mm wide aluminium profile frame	
Min. 182 mm Min. 300 mm	
± 2 mm ± 2 mm ± 2 mm	
Plastic, grey Powder-coated aluminium, silver	

# Lift Advanced

- ▶ Folding-flap fitting

## Lift Advanced HF



- ▶ For wooden front panels or framed wooden front panels or front panels with 19 mm wide aluminium profile
- ▶ Adjustable opening force
- ▶ Silent System integrated – soft-closing action
- ▶ Flap weight including handle 3.8 – 15.4 kg (gas springs must be ordered separately)
- ▶ Flaps of unequal height can be selected for an internal carcass height of 490 mm and over
- ▶ It is recommended to use fast-assembly concealed hinges with an opening angle of at least 110°, e.g. Sensys 8645i or Intermat 9943, Order hinges separately
- ▶ Three-dimensional front adjustment: vertical  $\pm 2$  mm, horizontal  $\pm 2$  mm, tilt / depth  $\pm 2$  mm
- ▶ Cross member or centre hinge not required
- ▶ Powder-coated aluminium, silver / grey plastic

## System Components



- Set comprises:
- ▶ 1 pair of flap fittings, right and left
  - ▶ 1 pair of cover caps, right and left
  - ▶ Fixing material



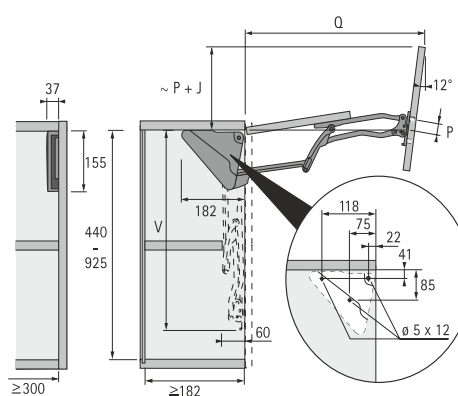
- Adapter for connection to 19 mm width aluminium profiles:
- ▶ Plastic, grey

Order no.	PU
9 079 601	1 set



- Gas spring for adapting to different flap weights:
- ▶ Note: If selection table shows a choice of two spring, select the stronger spring

### Flap and opening dimensions / cabinet drilling pattern



### Assembly information:

Inside carcass height mm	Order no.	PU
440 - 550	9 079 605	1 set
551 - 610	9 079 607	1 set
611 - 700	9 079 610	1 set

Inside carcass ht.	P mm	Q mm	V mm	T mm	U mm
440 - 550	61	440	440	120	351
551 - 610	69	474	475	155	386
611 - 700	76	494	505	185	416

### Gas spring ordering information:

Inside carcass height mm	Inside carcass height mm	Inside carcass height mm	Spring force N	Order no.	PU
440 - 550	551 - 610	611 - 700			
4.4 - 5.8 kg	4.0 - 6.0 kg	-	300	9 079 624	1 set
5.1 - 6.6 kg	4.5 - 6.7 kg	3.8 - 5.8 kg	350	9 079 626	1 set
6.0 - 8.0 kg	5.3 - 7.6 kg	4.6 - 7.0 kg	400	9 079 628	1 set
6.8 - 9.2 kg	6.2 - 8.6 kg	5.9 - 8.0 kg	450	9 079 630	1 set
7.8 - 10.2 kg	7.0 - 9.3 kg	6.9 - 8.9 kg	500	9 079 632	1 set
8.9 - 11.2 kg	8.0 - 10.3 kg	8.0 - 9.9 kg	550	9 079 635	1 set
10.5 - 12.6 kg	9.1 - 11.4 kg	8.8 - 10.8 kg	600	9 079 637	1 set
12.2 - 14.2 kg	10.5 - 12.6 kg	10.1 - 12.0 kg	650	9 079 644	1 set
13.2 - 15.0 kg	11.7 - 13.6 kg	11.1 - 12.9 kg	700	9 079 645	1 set
13.8 - 15.4 kg	12.3 - 14.1 kg	11.6 - 13.5 kg	750	9 079 647	1 set
-	13.3 - 14.6 kg	12.6 - 14.4 kg	800	9 079 650	1 set
-	-	13.4 - 15.2 kg	850	9 079 651	1 set

# Lift Advanced

## ► Upward opening flap fitting

### Lift advanced HK



- For wooden front panels or framed wooden front panels or front panels with 19 mm wide aluminium profile
- Adjustable opening force
- Silent System integrated – soft-closing action
- Flap weight including handle 2.0 – 17.9 kg (gas springs must be ordered separately)
- It is recommended to use fast-assembly concealed hinges with an opening angle of at least 95°, e.g. Sensys 8645i or Intermat 9943, Order hinges separately
- Three-dimensional front adjustment at concealed hinge
- Powder-coated aluminium, silver / grey plastic

Item Descriptions	Order no.	PU
Intermat 9943	9 242 871	100
Intermat 9936	9 242 874	100
Sensys 8645i	9 242 917	100
Sensys 8631i	9 242 902	100

### System Components



#### Set comprises:

- 1 pair of flap fittings, right and left
- 1 pair of cover caps, right and left
- Fixing material

Inside carcass height mm	Order no.	PU
276 - 720	9 079 603	1 set

#### Adapter for connection to 19 mm width aluminium profiles:

- Zinc die-cast nickel-plated

Order no.	PU
9 079 709	1 set

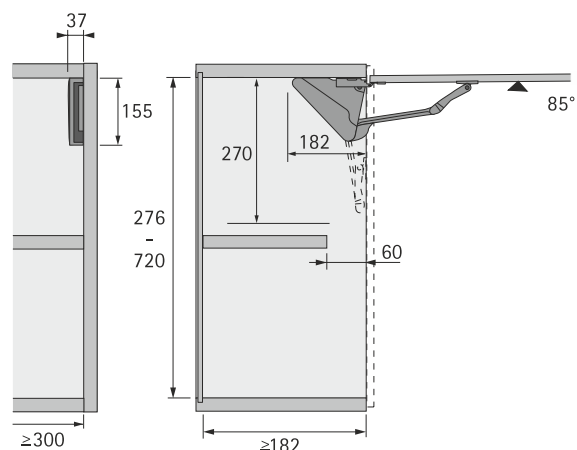


#### Gas spring for adapting to different flap weights:

- Note: If selection table shows a choice of two spring, select the stronger spring



#### Flap and opening dimensions:



#### Gas spring ordering information:

Inside carcass height mm	Inside carcass height mm	Inside carcass height mm	Inside carcass height mm	Inside carcass height mm	Spring force N	Order no.	PU
276 - 360	361 - 480	481 - 540	541 - 600	601 - 720			
2.1 - 4.7 kg	2.0 - 3.8 kg	-	-	-	150	9 079 618	1 set
4.1 - 7.0 kg	3.3 - 5.4 kg	2.4 - 4.9 kg	-	-	200	9 079 619	1 set
6.1 - 8.9 kg	4.5 - 6.3 kg	3.8 - 6.2 kg	3.8 - 5.6 kg	3.8 - 5.0 kg	250	9 079 622	1 set
7.8 - 10.7 kg	5.7 - 7.9 kg	5.2 - 7.6 kg	4.9 - 6.7 kg	4.4 - 5.9 kg	300	9 079 624	1 set
9.7 - 12.4 kg	7.1 - 9.3 kg	6.6 - 9.0 kg	6.1 - 7.7 kg	5.4 - 6.8 kg	350	9 079 626	1 set
11.5 - 14.3 kg	8.6 - 10.7 kg	8.1 - 10.3 kg	7.2 - 8.8 kg	6.3 - 7.8 kg	400	9 079 628	1 set
13.3 - 16.0 kg	10.2 - 12.1 kg	9.7 - 11.6 kg	8.4 - 10.0 kg	7.3 - 8.7 kg	450	9 079 630	1 set
15.2 - 17.9 kg	11.7 - 13.4 kg	11.0 - 12.8 kg	9.6 - 11.0 kg	8.2 - 9.6 kg	500	9 079 632	1 set
-	12.9 - 14.3 kg	12.4 - 14.1 kg	10.7 - 12.2 kg	9.1 - 10.4 kg	550	9 079 635	1 set
-	14.2 - 15.5 kg	13.7 - 15.4 kg	12.0 - 13.2 kg	10.1 - 11.4 kg	600	9 079 637	1 set
-	15.4 - 16.8 kg	15.0 - 16.7 kg	13.1 - 14.3 kg	11.1 - 12.4 kg	650	9 079 644	1 set

# Lift Advanced

## ► Flap lift fitting

### Lift advanced HL



- For wooden front panels or framed wooden front panels or front panels with 19 mm wide aluminium profile
- Adjustable opening force
- Silent System integrated – soft-closing action
- Flap weight incl. handle 1.7 – 17.6 kg (gas springs must be ordered separately)
- Three-dimensional front adjustment: vertical  $\pm 2$  mm, horizontal  $\pm 2$  tilt / depth  $\pm 2$
- Powder-coated aluminium, silver / plastic grey

Shortenable cross member for Lift Advanced:



Carcase width mm	Order no.	PU
600	9 079 653	1 set
1200	9 079 658	1 set
1800	9 079 664	1 set

### System Components



Set comprises:

- 1 pair of flap fittings, right and left
- 1 pair of cover caps, right and left
- Fixing material



Adapter for connection to 19 mm width aluminium profiles:

- Plastic, grey

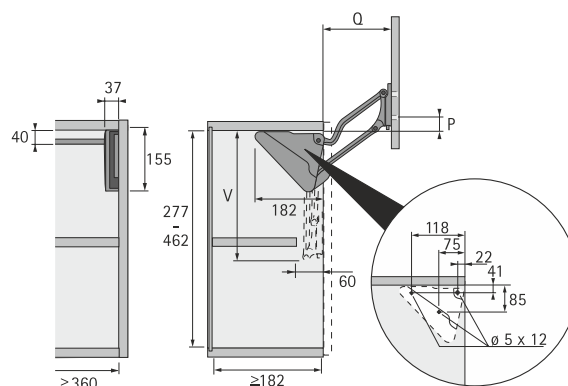
Order no.	PU
9 079 601	1 set



Gas spring for adapting to different flap weights:

- Note: If selection table shows a choice of two spring, select the stronger spring

Flap and opening dimensions / cabinet drilling pattern



Assembly information:

Inside carcass height mm	Order no.	PU
277 - 312	9 079 595	1 set
313 - 342	9 079 597	1 set
343 - 372	9 079 598	1 set
373 - 402	9 079 599	1 set
403 - 462	9 079 600	1 set

Inside carcass ht.	P mm	Q mm	V mm	T mm
277 - 312	22	126	277	160
313 - 342	44	155	312	195
343 - 372	63	179	342	225
373 - 402	82	203	372	255
403 - 462	100	227	402	285

Gas spring ordering information:

Inside carcass height mm	Inside carcass height mm	Inside carcass height mm	Inside carcass height mm	Inside carcass height mm	Spring force N	Order no.	PU
277 - 312	313 - 342	343 - 372	373 - 402	403 - 462			
2.1 - 3.8 kg	2.3 - 3.8 kg	-	-	-	150	9 079 618	1 set
3.8 - 5.4 kg	3.6 - 5.3 kg	2.1 - 4.8 kg	1.7 - 3.8 kg	-	200	9 079 619	1 set
5.6 - 7.1 kg	5.2 - 7.1 kg	3.3 - 6.0 kg	2.6 - 5.0 kg	3.2 - 4.9 kg	250	9 079 622	1 set
7.3 - 8.8 kg	6.5 - 8.7 kg	4.3 - 7.2 kg	3.8 - 6.3 kg	4.4 - 5.9 kg	300	9 079 624	1 set
8.9 - 10.5 kg	7.9 - 10.2 kg	5.5 - 8.6 kg	4.9 - 7.5 kg	5.4 - 6.8 kg	350	9 079 626	1 set
10.6 - 12.1 kg	9.1 - 11.7 kg	6.6 - 9.7 kg	6.0 - 8.7 kg	6.3 - 7.8 kg	400	9 079 628	1 set
-	10.5 - 13.2 kg	7.8 - 10.9 kg	7.1 - 9.9 kg	7.3 - 8.7 kg	450	9 079 630	1 set
-	11.6 - 14.7 kg	8.9 - 12.2 kg	8.2 - 11.1 kg	8.2 - 9.6 kg	500	9 079 632	1 set
-	12.8 - 16.2 kg	10.0 - 13.4 kg	9.3 - 12.4 kg	9.1 - 10.4 kg	550	9 079 635	1 set
-	14.2 - 17.6 kg	11.2 - 14.6 kg	10.5 - 13.6 kg	10.1 - 11.4 kg	600	9 079 637	1 set
-	-	12.5 - 15.9 kg	11.7 - 14.9 kg	11.1 - 12.4 kg	650	9 079 644	1 set

# Lift Advanced

## ► Flap lift fitting

### Lift advanced HS



- For wooden front panels or framed wooden front panels or front panels with 19 mm wide aluminium profile
- Adjustable opening force
- Silent System integrated – soft-closing action
- Flap weight including handle 2.5 – 15.3 kg (gas springs must be ordered separately)
- Three-dimensional front adjustment: vertical  $\pm 2$  mm, horizontal  $\pm 2$  tilt / depth  $\pm 2$  mm
- Powder-coated aluminium, silver / grey plastic

### System Components



#### Set comprises:

- 1 pair of flap fittings, right and left
- 1 pair of cover caps, right and left
- Fixing material

Order no.	PU
9 079 617	1 set



#### Adapter for connection to 19 mm wide aluminium profiles:

- Plastic, grey

Order no.	PU
9 079 601	1 set



#### Gas spring for adapting to different flap weights:

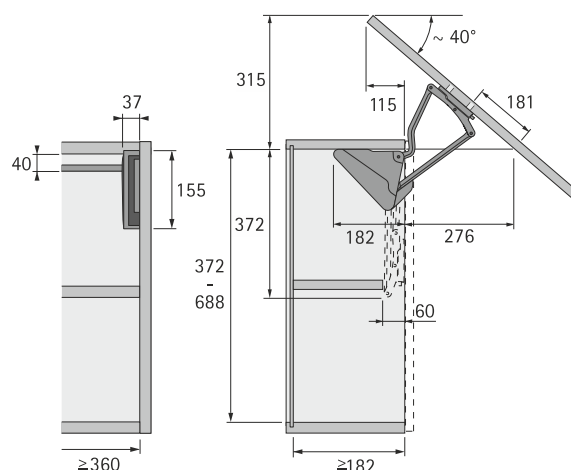
- Note: If selection table shows a choice of two spring, select the stronger spring



#### Shortenable cross member for Lift Advanced:

- Cross member can be shortened, with pre-fitted mounts at the sides
- Aluminium silver effect / grey plastic

#### Flap and opening dimensions:



Carcase width mm	Order no.	PU
600	9 079 653	1 set
1200	9 079 658	1 set
1800	9 079 664	1 set

#### Gas spring ordering information:

Inside carcase height mm	Inside carcase height mm	Inside carcase height mm	Inside carcase height mm	Spring force N	Order no.	PU
372 - 408	409 - 508	509 - 568	569 - 688			
3.0 - 4.4 kg	3.2 - 4.3 kg	2.5 - 3.9 kg	-	200	9 079 619	1 set
4.0 - 5.4 kg	4.2 - 5.4 kg	3.4 - 5.2 kg	3.2 - 4.8 kg	250	9 079 622	1 set
5.3 - 6.7 kg	5.2 - 6.5 kg	4.4 - 6.4 kg	4.0 - 6.1 kg	300	9 079 624	1 set
6.3 - 7.9 kg	6.3 - 7.4 kg	5.4 - 7.4 kg	4.9 - 7.1 kg	350	9 079 626	1 set
7.7 - 9.1 kg	7.3 - 8.6 kg	6.5 - 8.4 kg	5.8 - 8.2 kg	400	9 079 628	1 set
8.8 - 10.3 kg	8.4 - 9.9 kg	7.5 - 9.5 kg	6.8 - 9.1 kg	450	9 079 630	1 set
10.0 - 11.5 kg	9.4 - 10.9 kg	8.6 - 10.5 kg	7.7 - 10.0 kg	500	9 079 632	1 set
11.0 - 12.6 kg	10.5 - 12.1 kg	9.6 - 11.6 kg	8.6 - 11.6 kg	550	9 079 635	1 set
12.1 - 13.8 kg	11.6 - 13.2 kg	10.7 - 12.6 kg	9.6 - 12.6 kg	600	9 079 637	1 set
13.3 - 14.9 kg	12.6 - 14.2 kg	11.7 - 13.7 kg	10.5 - 13.5 kg	650	9 079 644	1 set
-	13.6 - 15.3 kg	12.8 - 14.7 kg	11.4 - 14.3 kg	700	9 079 645	1 set



# Flap fitting

## ► Upward opening flap fittings

### Fly

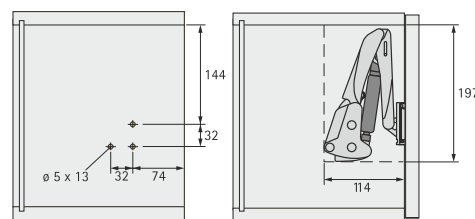


- One fitting is sufficient for flap widths up to 600 mm
  - Can be used either on left or right side alternatively for larger flaps on both sides
  - Flap weight from 1.8-15.4 kg
  - Flap height 250 - 720 mm
  - Inside cabinet depth min. 114 mm
  - Adjustable opening force
  - Including fixing accessories
  - Housing and hinge mechanism of plastic white / grey
- Set contains:**
- 1 flap fitting
  - 1 front adapter
  - Fixing accessories

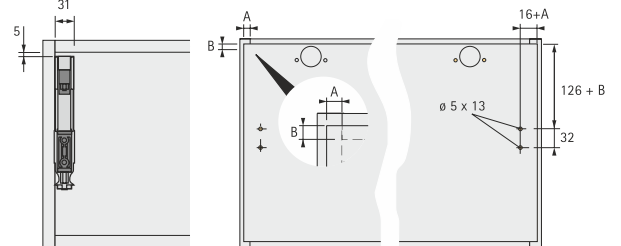
### System Components



Cabinet drilling pattern



Front drilling pattern



#### Gas spring ordering information:

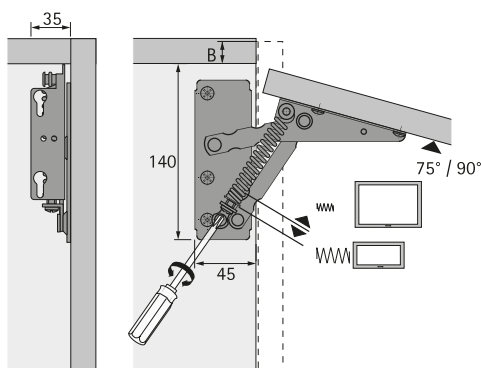
Flap height mm	Flap height mm	Flap height mm	Flap height mm	Order no.	PU
361 - 480	481 - 540	541 - 600	601 - 720	9 111 155	1 set
5.5 - 13.5 kg	5 - 12 kg	4 - 9.5 kg	3 - 8.5 kg		

### Lift



- For wooden front panels or framed wooden front panels
- Hole line application for fast, easy installation in system 32
- Flap dimensions: height 200 - 500 mm / width 300 - 1000 mm
- Steel, nickel plated

#### Flap and opening dimensions:



Opening angle°	Spring force N	Max. flap weight kg	Order no.	PU
90	80 - 220	4.6	0 010 921	1 set

# Flap fitting

## ► Flap

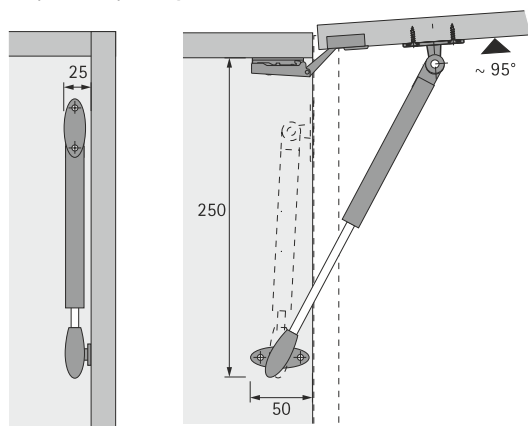
### Lift basic



- For wooden fronts or wood-framed fronts
- Flap weight including handle 3.2 kg max. (when using 2 fittings)
- Flap dimensions: height 400 mm max. / width 600 mm max.
- Can be used on one or both sides
- Can be used on left or right
- Concealed hinges must be fitted at the top of the flap
- Steel silver effect / grey plastic

Order no.	PU
9 079 593	10 pcs.

### Flap and opening dimensions:



max. height mm	max. width mm	Quantity
300	400	1
400	600	2

Number of fittings to use depends on flap dimensions based on 19 mm chipboard, 700 kg / m<sup>3</sup>

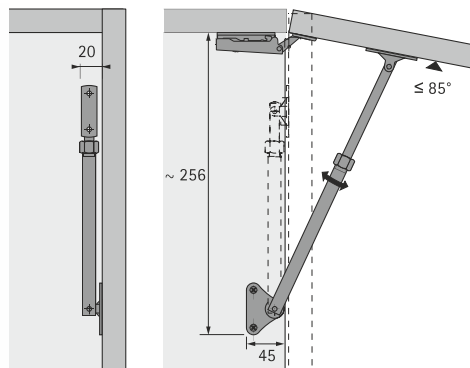
### KLS 30



- For wooden fronts or wood-framed fronts
- Flap weight including handle 4 kg max. (when using 2 fittings)
- Adjustable opening force
- Flap dimensions: height 500 mm max. / width 600 mm max.
- Can be used on one or both sides
- Can be used on left or right
- Concealed hinges must be fitted at the top of the flap
- Steel, nickel-plated

Order no.	PU
0 016 179	1/10 ea.

### Flap and opening dimensions:



Height mm	Width mm		
	450	500	600
260	1	1	1
300	1	1	1
400	1	1	2
500	2	2	2

Number of fittings to use depends on flap dimensions based on 19 mm chipboard, 700 kg / m<sup>3</sup>

# Flap fitting

## ► Flap

### Klassik D

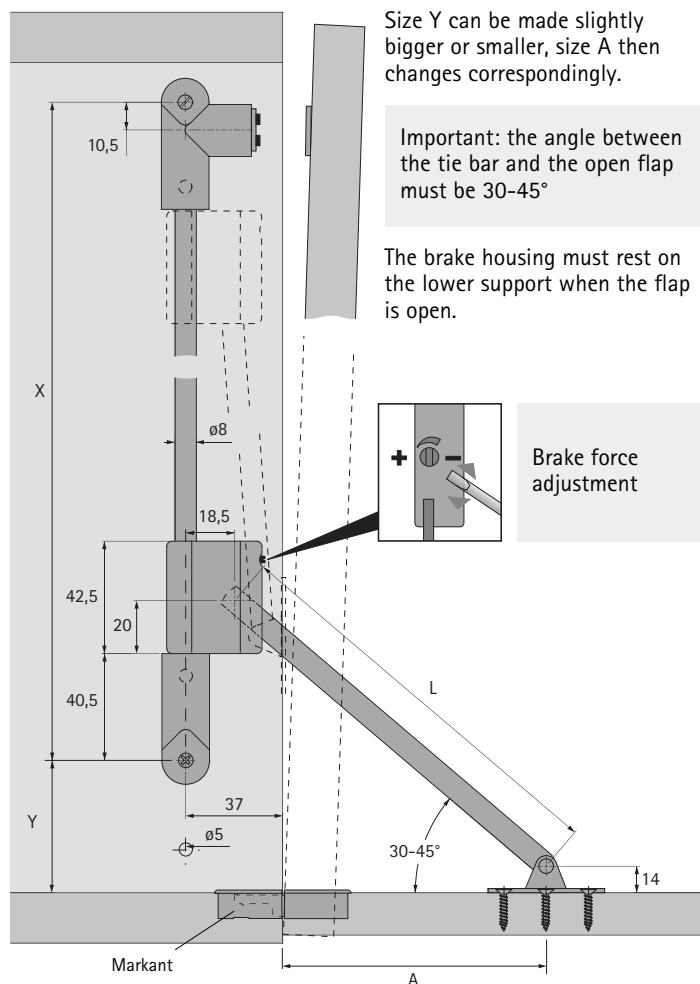


- High-quality, maintenance-free braking system with fine adjustment
- Adjustable 4 mm magnetic catch
- Guide bar, tie bar and base: nickel-plated steel
- Housing and support: nickel-plated zinc die-cast

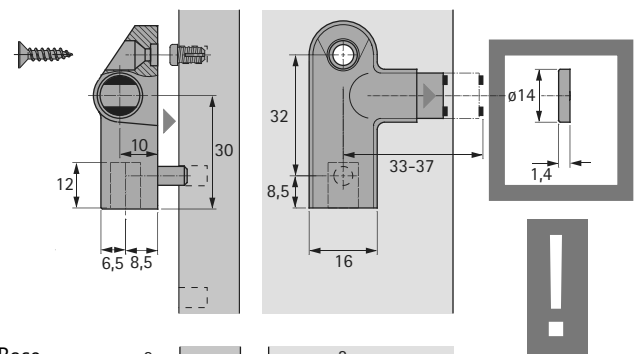


Article	Cabinet internal height mm	Order no.		PU
		right	left	
Klassik D/405	405 - 464	0021 700	0021 579	1/10

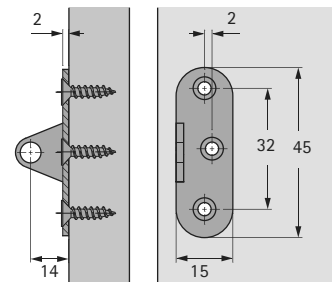
#### Assembly notes



#### MA 37 D magnetic support



#### Base



Fasten with wood screws  $\text{ø}3,5$  DIN 95/DIN 97 and  $\text{ø} 5$  mm expanding dowels

Article	Cabinet internal height mm	Dimensions mm			
		X	Y	A	L
Klassik D/405	405 - 464	320	56	133	183

## Runners for wooden drawers

- ▶ Roller runners FR & Ball-bearing runner



Drawer runners Quadro guarantee the ultimate in drawer convenience. With attractive design from concealed installation. With a long life and unceasing top performance. The robust, resilient tracks provide the steel balls with optimum control - for perfect vertical and lateral stability. Optional Silent System soft-closing gently shuts drawers in complete silence. The Push to open function automatically opens the drawer in response to a light press on the front - for handleless fronts.



Partial extension runner: with a loading capacity of up to 34 kg. Suitable for many applications.



Full extension runner: with a loading capacity of up to 45 kg. With smooth, easy running action and ergonomic access to drawer contents.






Over extension runner: with a loading capacity of up to 60 kg. Unobstructed view of everything inside.

## Runners for wooden drawers

- ▶ Roller runners FR & Ball-bearing runners KA
- ▶ Range summary / Technical comparison






	FR 302	KA 5632	KA 4532 Silent System
			
Page	42	43	44
Description	Partial extension runner	Full extension runner, separable	Full extension runner with integrated soft-closing function, separable
Loading capacity	20kg	45 kg	35 kg
Drawer lengths	250 - 550 mm	250 - 700 mm	300 - 700 mm
Installation		Side installation	Side installation



## Runners for wooden drawers

- ▶ Roller runners FR & Ball-bearing runners KA
- ▶ Range summary / Technical comparison



KA 4532 Push to open 	KA 4620 	KA 3320 
45	46	47
Full extension runner with integrated opening system, separable	Over extension runner for 19 mm installed width, separable	Full extension runner for 19 mm installed width
35 kg	90 kg	136 kg
300 - 700 mm	300 - 700 mm	310 - 910 mm
Side installation	Side installation	Side installation

## FR 302

- ▶ Partial extension runner with stop control
- ▶ Loading capacity 20 kg

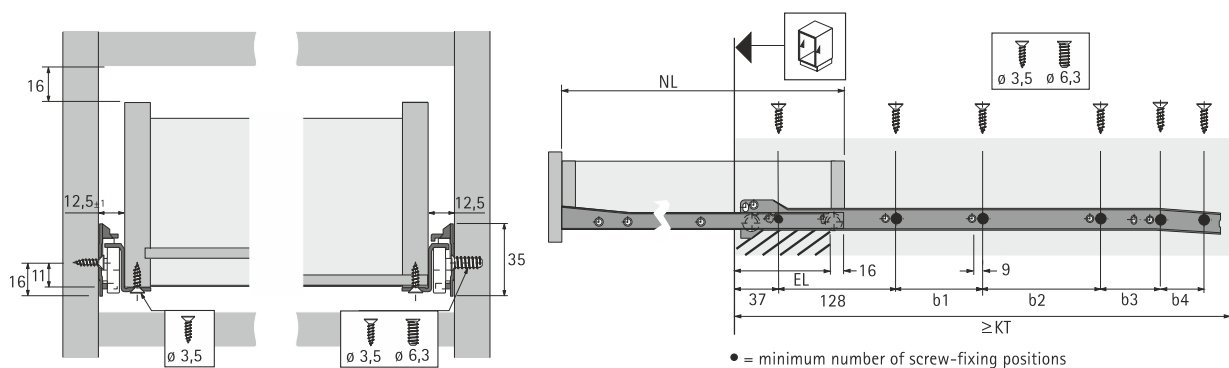
### FR 302



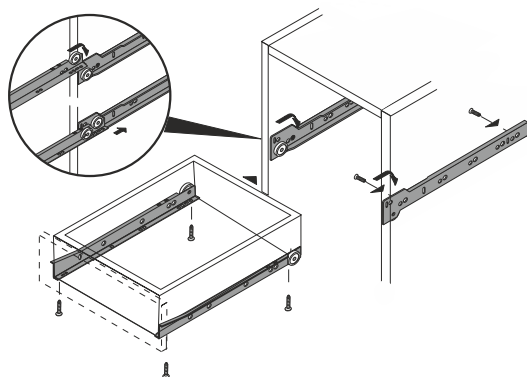
- ▶ Stop Control - integrated self-closing mechanism for automatic closure
- ▶ With double-stop and roll-out guard
- ▶ With captive guide rail on one side
- ▶ Automatic tolerance compensation  $\pm 1$  mm
- ▶ Loading capacity to EN 15338, Level 1
- ▶ Powder-coated steel, white



### Planning dimensions



### Assembly:



### Roller runner FR 302

Nominal length / Drawer length NL mm	Minimum carcass depth KT mm	Extension loss EL mm	Hole spacing b1 mm	Hole spacing b2 mm	Hole spacing b3 mm	Hole spacing b4 mm	Order no.	PU
250	253	69	64				0 075 993	1/20 pair
300	303	69	96				0 075 994	1/20 pair
350	353	69	96	64			0 075 995	1/20 pair
400	403	69	96	128			0 075 996	1/20 pair
450	453	79	96	128	32		0 075 997	1/20 pair
500	503	86	96	128	64	32	0 013 089	1/20 pair

# KA 5632

- ▶ Full extension runner for side mounting
- ▶ Loading capacity 45 kg

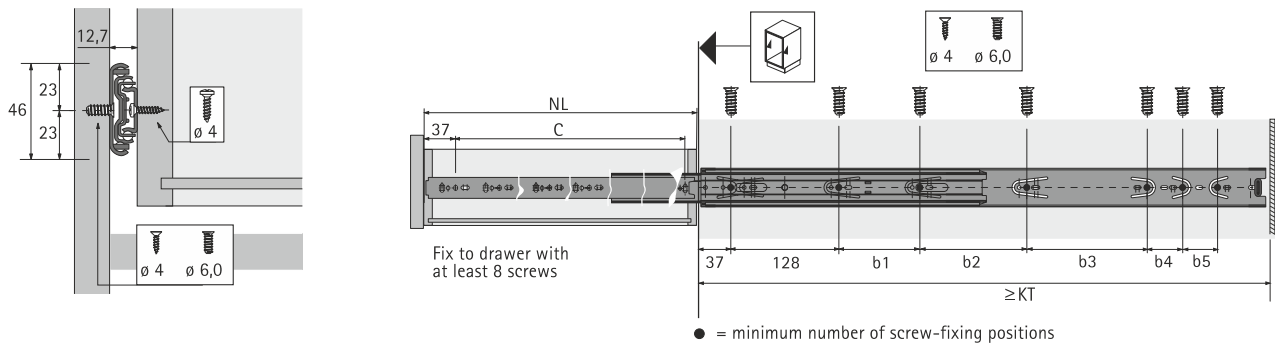
## KA 5632



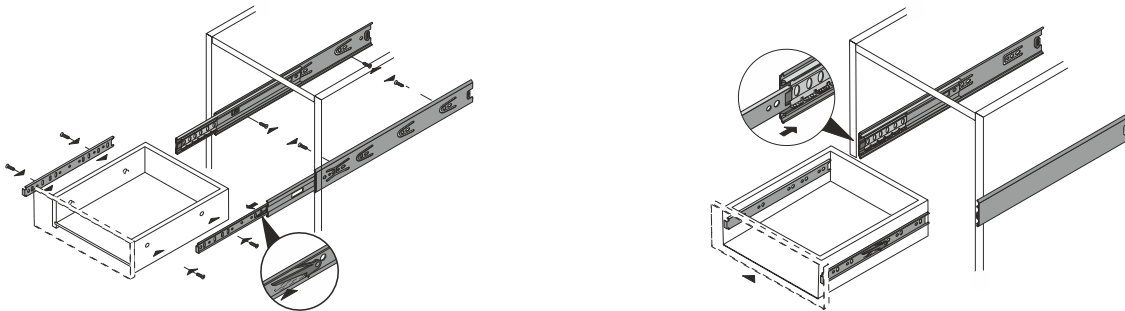
- ▶ Precision full extension runner with pull-out stop and roll-out guard
- ▶ Using a release lever, the drawer can be detached from the runner and thus removed and re-fitted with ease
- ▶ Precision control for silky smooth running action and high lateral stability
- ▶ For drawers with grooved, rebated or loosely fitted drawer bottom
- ▶ Loading capacity to EN 15338, Level 1
- ▶ Galvanised steel, blue passivated



## Planning dimensions



## Assembly:



## Ball-bearing runner KA 5632, 12.7 mm installed width

Nominal length / Drawer length NL mm	Minimum carcase depth KT mm	Hole spacing b1 mm	Hole spacing b2 mm	Hole spacing b3 mm	Hole spacing b4 mm	Hole spacing b5 mm	Hole spacing C mm	Order no.		PU
								Zinc	Black	
250	254						192	0 073 276	0 044 916	10 pair
300	304	96					242	0 073 277	0 044 915	10 pair
350	354	96					292	0 073 278	0 044 914	10 pair
400	404	96	96				342	0 073 279	0 044 913	10 pair
450	454	96	128				392	0 073 280	0 044 912	10 pair
500	504	96	128	64			442	0 073 281	0 044 911	10 pair
550	554	96	128	64	32	32	492	0 073 282	0 044 909	10 pair
600	604	96	128	96	32	32	542	0 073 283	0 044 908	10 pair
650	654	96	128	160	32	32	592	0 073 284	0 044 907	10 pair
700	704	96	128	192	32	32	642	0 041 355	0 044 906	10 pair

## KA 4532 Silent System

- ▶ Full extension runner with Silent System for side mounting
- ▶ Loading capacity 35 kg

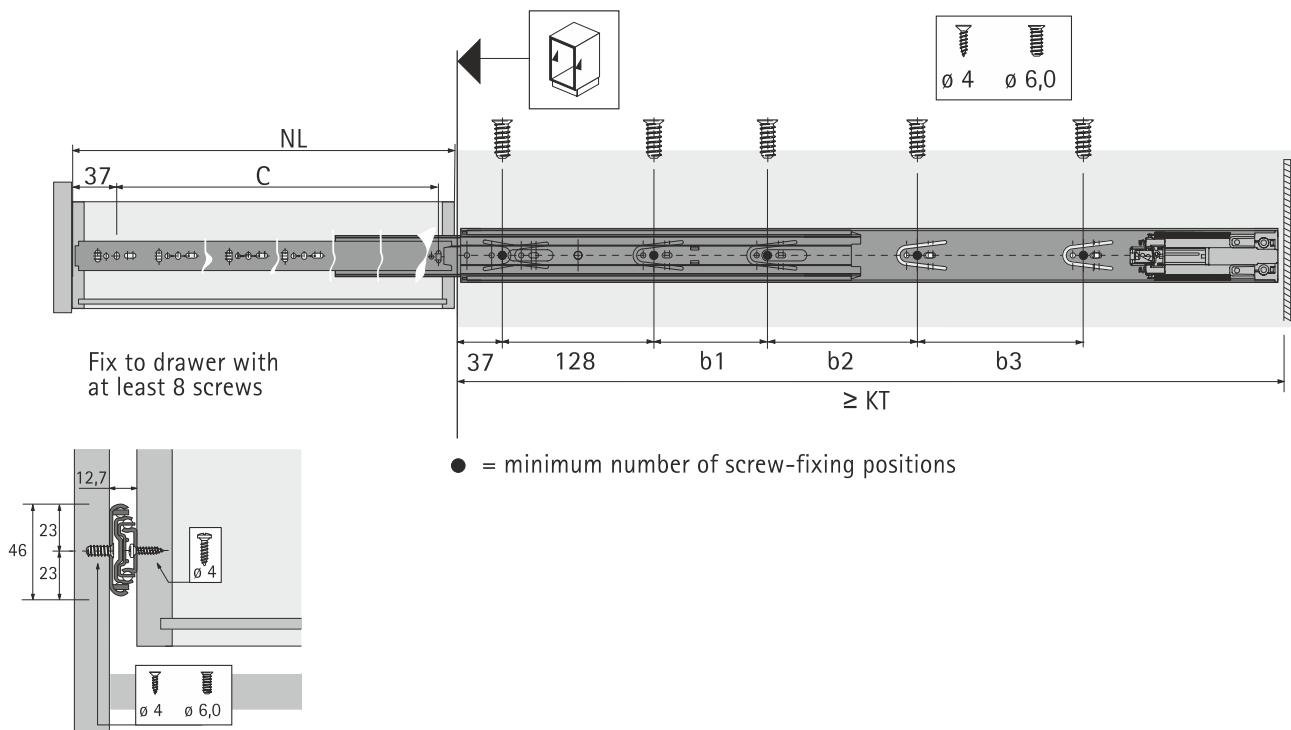
### KA 4532 with silent system



- ▶ Silent System – the integrated soft-closing function shuts the drawer quietly and gently
- ▶ Using a release lever, the drawer can be detached from the runner and thus removed and re-fitted with ease.
- ▶ Precision control for silky smooth running action and high lateral stability
- ▶ For drawers with grooved, rebated or loosely fitted drawer bottom
- ▶ Loading capacity to EN 15338, Level 2
- ▶ Galvanised steel, blue passivated



### Planning dimensions



### Ball-bearing runner KA 4532 Silent System, 12.7 mm installed width

Nominal length / Drawer length NL mm	Minimum car- case depth KT mm	Hole spacing b1 mm	Hole spacing b2 mm	Hole spacing b3 mm	Hole spacing C mm	Order no.	PU
300	304				171	9 114 271	10 pair
350	354	64			220	9 114 273	10 pair
400	404	64			254	9 114 274	10 pair
450	454	96			294	9 114 275	10 pair
500	504	96	64		344	9 114 276	10 pair
550	554	96	128		394	9 114 277	10 pair
600	604	96	160		444	9 114 278	10 pair
650	654	96	128	96	494	9 114 279	10 pair
700	704	96	128	128	544	9 114 280	10 pair

## KA 4532 Push to open

- ▶ Full extension runner with Push to open for side mounting
- ▶ Loading capacity 35 kg

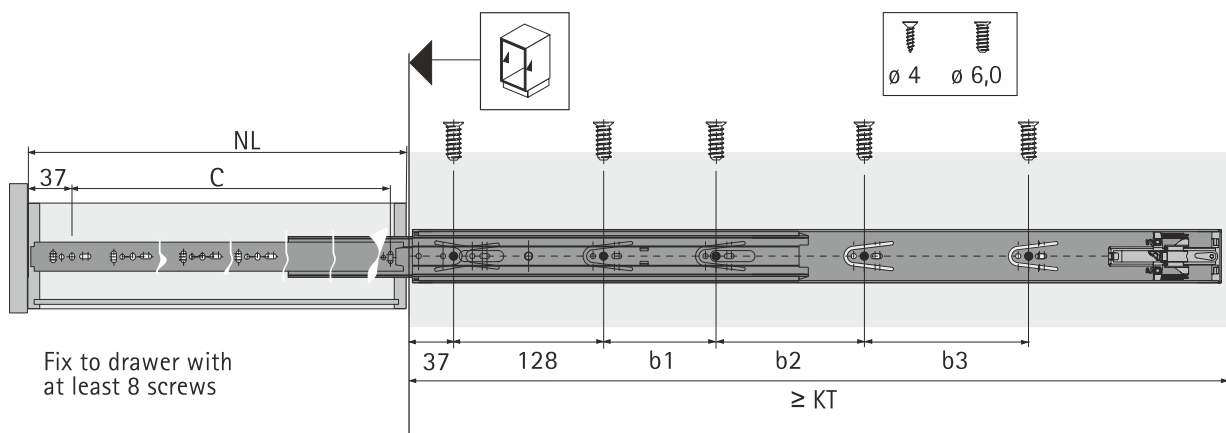
### KA 4532 with push to open



- ▶ Push to open – the precision activating mechanism opens the drawer automatically and in virtual silence – a light press is all it takes!
- ▶ A release lever makes the drawer easy to remove and re-fit.
- ▶ Precision control for silky smooth running action and high lateral stability
- ▶ For drawers with grooved, rebated or loosely fitted drawer bottom
- ▶ Loading capacity to EN 15338, Level 2
- ▶ Galvanised steel, blue passivated



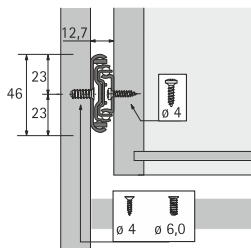
### Planning dimensions



Fix to drawer with at least 8 screws

● = minimum number of screw-fixing positions

The dimensions stated produce a minimum gap of 4 mm between front panels.



### Ball-bearing runner KA 4532 Push to open, 12.7 mm installed width

Nominal length / Drawer length NL mm	Minimum carcass depth KT mm	Hole spacing b1 mm	Hole spacing b2 mm	Hole spacing b3 mm	Hole spacing C mm	Order no.	PU
300	304				192	9 114 281	10 pair
350	354	64			242	9 114 282	10 pair
400	404	96			292	9 114 283	10 pair
450	454	160			342	9 114 284	10 pair
500	504	96	96		392	9 114 285	10 pair
550	554	96	128		442	9 114 286	10 pair
600	604	96	128	96	492	9 114 288	10 pair
650	654	96	128	128	542	9 114 289	10 pair
700	704	96	128	192	592	9 114 290	10 pair



## KA 4620

- ▶ Over extension runner for side mounting
- ▶ Loading capacity 90 kg

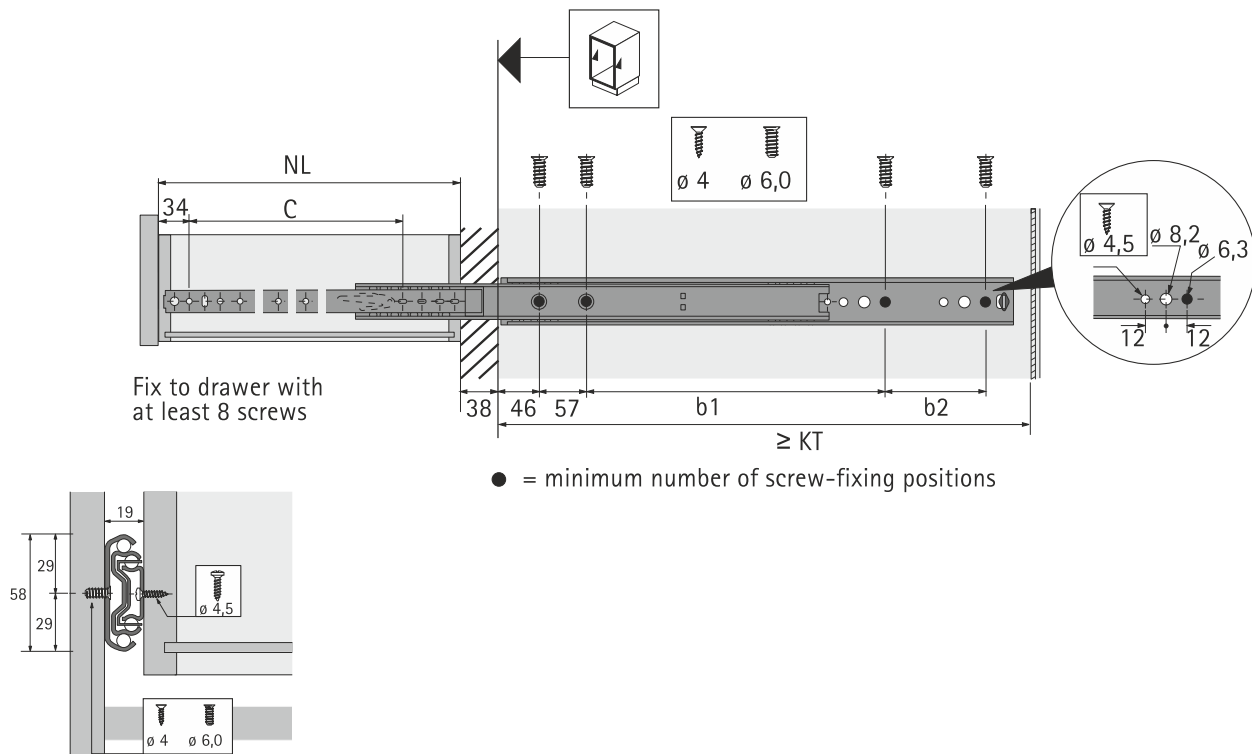
### KA 4620



- ▶ Over extension runner with pull-out stop and roll-out guard
- ▶ Using a release lever, the drawer can be detached from the runner and thus removed and re-fitted with ease.
- ▶ Precision control for silky smooth running action and high lateral stability
- ▶ For drawers with grooved, rebated or loosely fitted drawer bottom
- ▶ Loading capacity to EN 15338, Level 1
- ▶ Galvanised steel, blue passivated



### Planning dimensions



### Ball-bearing runner KA 4620, 19 mm installed width

Nominal length / Drawer length NL mm	Minimum carcase depth KT mm	Hole spacing b1 mm	Hole spacing b2 mm	Hole spacing C mm	Order no.	PU
400	404	111	114	333.5	0 041 392	5 pair
450	454	136	139	383.5	0 041 393	5 pair
500	504	161	164	433.5	0 041 394	5 pair
550	554	186	189	483.5	0 041 395	5 pair
600	604	211	214	533.5	0 041 396	5 pair
650	654	236	239	583.5	0 041 397	5 pair
700	704	261	264	633.5	0 041 398	5 pair

## KA 3320

- ▶ Full extension runner for side mounting
- ▶ Loading capacity 136 kg

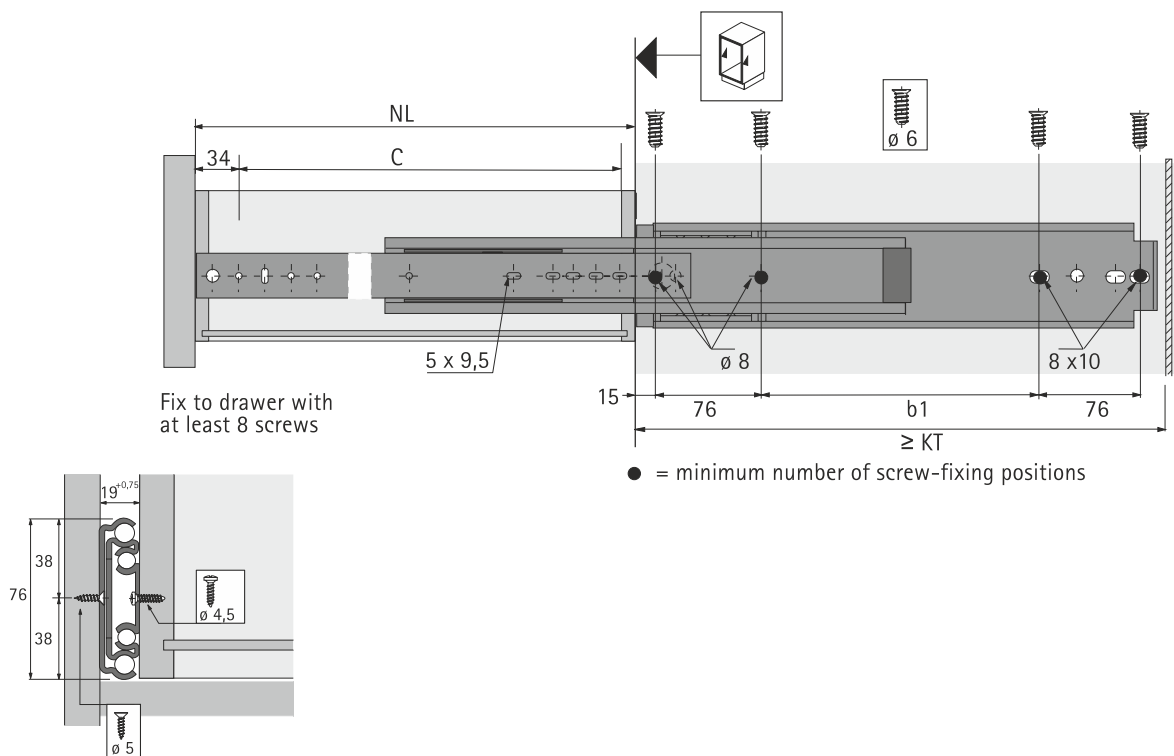
### KA 3320



- ▶ Full extension runner with push-in and pull-out stops
- ▶ Runner and ball race form a complete, non-separable unit
- ▶ Precision control for silky smooth running action and high lateral stability
- ▶ For drawers with grooved, rebated or loosely fitted drawer bottom
- ▶ Loading capacity to EN 15338, Level 3
- ▶ Galvanised steel



### Planning dimensions

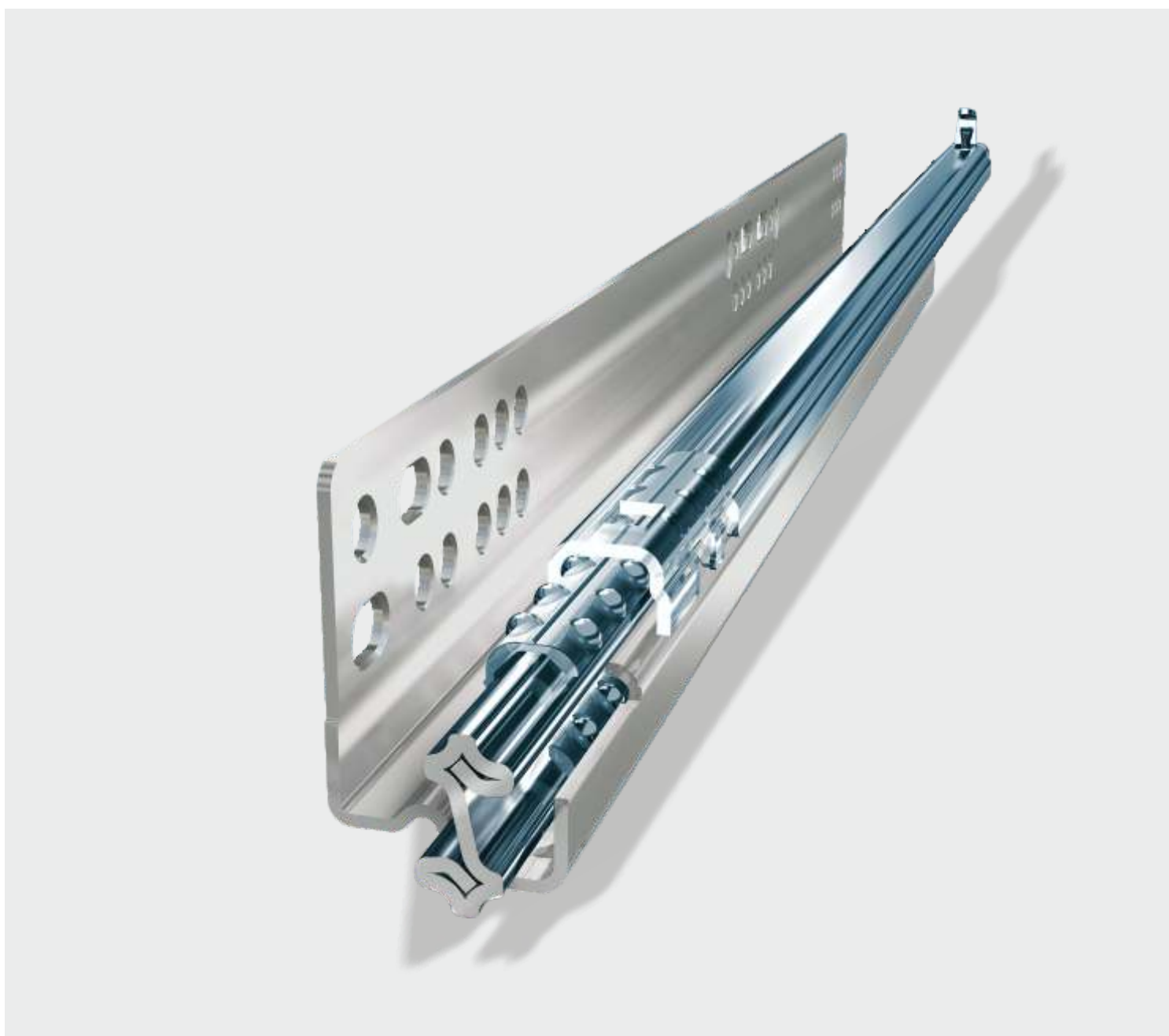


### Ball-bearing runner KA 3320, 19 mm installed width

Nominal length / Drawer length NL mm	Minimum carcass depth KT mm	Hole spacing b1 mm	Hole spacing C mm	Order no.	PU
760	762	5840	675	0 073 296	5 pair
810	812	635	725	0 041 367	3 pair
860	862	686	776	0 041 368	3 pair
910	912	736	827	0 041 396	3 pair

## Runners for wooden drawers

### ► Drawer runners Quadro






Drawer runners Quadro guarantee the ultimate in drawer convenience. With attractive design from concealed installation. With a long life and unceasing top performance. The robust, resilient tracks provide the steel balls with optimum control - for perfect vertical and lateral stability. Optional Silent System soft-closing gently shuts drawers in complete silence. The Push to open function automatically opens the drawer in response to a light press on the front - for handleless fronts.

# Runners for wooden drawers

- ▶ Drawer runners Quadro
- ▶ Range summary / Technical comparison






	Quadro 25 with Stop Control 	Quadro 25 with Silent System 	Quadro V6 with Silent System 
Page	52	53	54
Description	Partial extension runner with integrated self-closing function	Partial extension runner with integrated soft-closing function	Full extension runner with integrated soft-closing function
Loading capacity	25 kg	25 kg	30 kg
Drawer lengths	250 - 650 mm	250 - 550 mm	250 - 600 mm
Installation	<ul style="list-style-type: none"> <li>▶ On carcass side</li> <li>▶ Slide-on assembly</li> </ul>	<ul style="list-style-type: none"> <li>▶ On carcass side</li> <li>▶ Slide-on assembly</li> </ul>	<ul style="list-style-type: none"> <li>▶ On carcass side</li> <li>▶ Slide-on assembly</li> </ul>

# Runners for wooden drawers

- ▶ Drawer runners Quadro
- ▶ Range summary / Technical comparison



	Quadro 25 with Push to open 	Quadro V6 with Push to open 	Quadro 4D V6 with Silent System 
Page	55	56	57
Description	Partial extension runner with integrated system	Full extension runner with integrated opening system	Full extension runner with integrated soft-closing function
Loading capacity	25 kg	30 kg	30 kg
Drawer lengths	250 - 550 mm	250 - 550 mm	350-600 mm
Installation	<ul style="list-style-type: none"> <li>▶ On carcass side</li> <li>▶ Slide-on assembly</li> </ul>	<ul style="list-style-type: none"> <li>▶ On carcass side</li> <li>▶ Slide-on assembly</li> </ul>	<ul style="list-style-type: none"> <li>▶ On carcass side</li> <li>▶ Slide-on assembly</li> </ul>

## Runners for wooden drawers

- ▶ Drawer runners Quadro
- ▶ Range summary / Technical comparison



Page	58
Description	Full extension runner with integrated soft-closing function
Loading capacity	50 kg
Drawer lengths	250 - 600 mm
Installation	<ul style="list-style-type: none"><li>▶ On carcass side</li><li>▶ Slide-on assembly</li></ul>



# Quadro 25 with Stop Control

## ► Partial extension runner

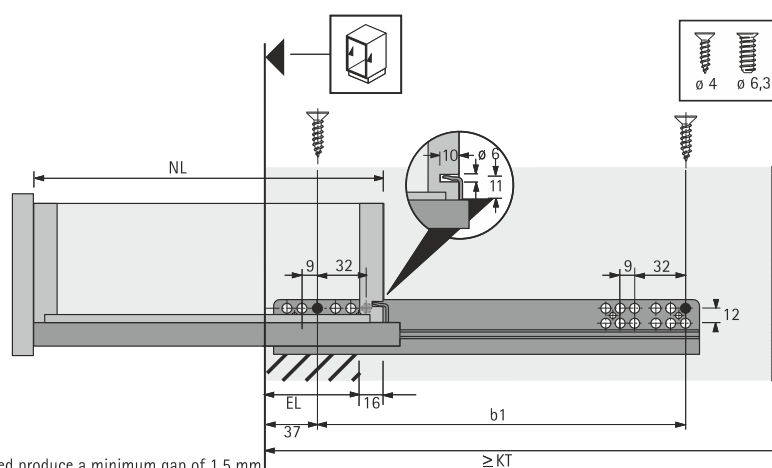
### Quadro 25 with Stop Control (Partial extension)



- Stop Control - integrated self-closing mechanism for automatic closure
- Convenient slide-on assembly with catches and tool less vertical adjustment
- Flexible interchangeable system - from Quadro partial to full extension runner without altering carcass, drawer and front-panel dimensions
- Loading capacity to EN 15338, Level 3
- Galvanised steel



### Planning dimensions



The dimensions stated produce a minimum gap of 1.5 mm between front panels. Cabinet hole pattern must allow for thicker front-panel buffers.

● = minimum number of screw-fixing positions

### Catch for wooden drawers with grooved base:



Article	Order no.	PU
Left catch	9 144 830	10 ea.
Right catch	9 144 841	10 ea.

### Quadro 25 with Stop Control

Nominal length / Drawer length NL mm	Minimum carcass depth KT mm	Extension loss EL mm	Hole spacing b1 mm	Order no.
				10 pair
250	263	50	160	0 072 904
300	313	50	160	0 072 905
350	363	62	192	0 073 210
400	413	74	224	0 073 211
450	463	86	256	0 073 212
500	513	98	288	0 033 687
550	563	98	320	0 073 214

Using the mounting plug reduces drawer length (NL) by 10 mm.

## Quadro 25 with Stop Control

### ► Partial extension runner

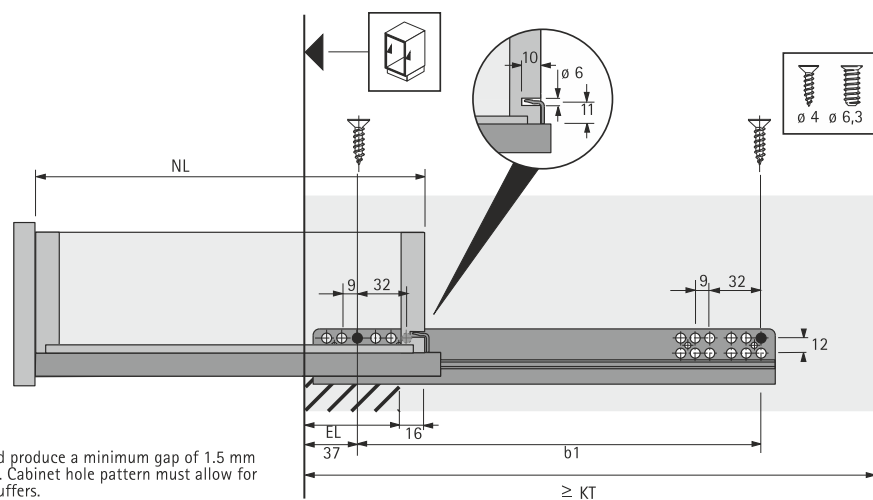
## Quadro 25 with Silent System



- Silent System - the integrated soft-closing function shuts the drawer quietly and gently
- Convenient slide-on assembly with catches and toolless vertical adjustment.
- Flexible interchangeable system - from Quadro partial to full extension runner without altering carcass, drawer and front-panel dimensions
- Loading capacity to EN 15338, Level 3
- Galvanised steel



## Planning dimensions



### Catch for wooden drawers with grooved base:



● = minimum number of screw-fixing positions

Article	Order no.	PU
Left catch	9 144 830	10 ea.
Right catch	9 144 841	10 ea.

## Quadro 25 with Silent System

Nominal length / Drawer length NL mm	Minimum carcass depth KT mm	Extension loss EL mm	Hole spacing b1 mm	Order no. 10 pair
250	263	50	160	9 135 931
300	313	50	160	9 135 939
350	363	62	192	9 135 943
400	413	74	224	9 135 933
450	463	86	256	9 135 935
500	513	98	288	9 135 937
550	563	98	320	9 135 941

Using the mounting plug reduces drawer length (NL) by 10 mm.

# Quadro V6 with Silent System

- ▶ Full extension runner

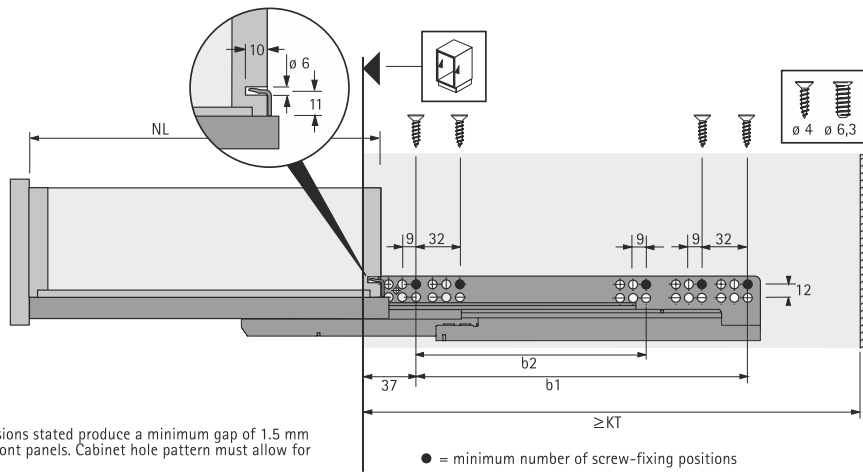
## Quadro V6 with silent system



- ▶ Silent System - the integrated soft-closing function shuts the drawer quietly and gently
- ▶ Convenient slide-on assembly with catches and toolless vertical adjustment
- ▶ Loading capacity to EN 15338, Level 3
- ▶ Galvanised steel



## Planning dimensions



## Catch for wooden drawers with grooved base:



Article	Order no.	PU
Left catch	9 144 830	10 ea.
Right catch	9 144 841	10 ea.

## Quadro V6 with Silent System

Nominal length / Drawer length NL mm	Minimum carcass depth KT mm	Hole spacing b1 mm	Hole spacing b2 mm	Order no.
				10 pair
300	313	192		0 045 285
350	363	192		0 045 287
400	413	224		0 045 289
450	463	256		0 045 291
500	513	288	224	0 045 293
550	563	288	224	0 045 295
600	613	352		0 045 297

Using the mounting plug reduces drawer length (NL) by 10 mm.

# Quadro 25 with Push to open

## ► Partial extension runner

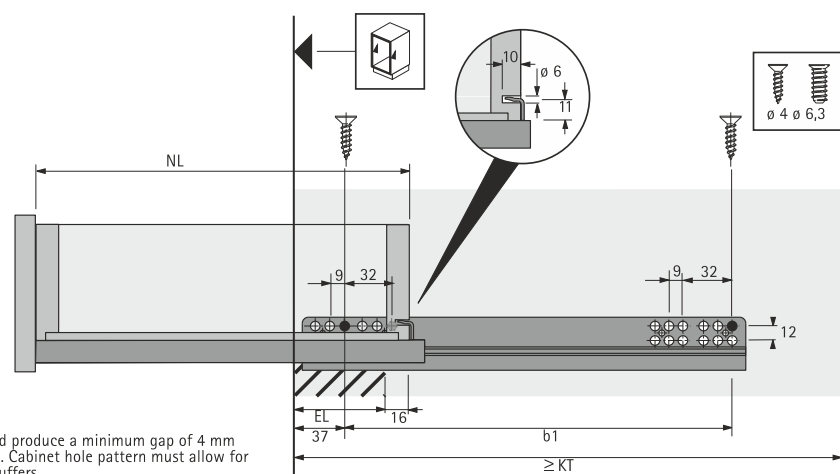
### Quadro (Push to open)



- Push to open - the precision Push to open mechanism automatically opens the drawer in virtual silence - a light press is all it takes!
- Convenient slide-on assembly with catches and tool less vertical adjustment
- Flexible interchangeable system - from Quadro partial to full extension runner without altering carcass, drawer and front-panel dimensions
- Loading capacity to EN 15338, Level 3
- Galvanised steel



### Planning dimensions



The dimensions stated produce a minimum gap of 4 mm between front panels. Cabinet hole pattern must allow for thicker front-panel buffers.

● = minimum number of screw-fixing positions

### Catch for wooden drawers with grooved base:



Article	Order no.	PU
Left catch	9 144 830	10 ea.
Right catch	9 144 841	10 ea.

### Quadro 25 with Push to open

Nominal length / Drawer length NL mm	Minimum carcass depth KT mm	Extension loss EL mm	Hole spacing b1 mm	Order no.
				10 pair
300	313	50	160	9 135 958
350	363	62	192	9 135 960
400	413	74	224	9 135 962
450	463	86	256	9 135 964
500	513	98	288	9 135 966

Using the mounting plug reduces drawer length (NL) by 10 mm.

## Quadro V6 with Push to open

- ▶ Full extension runner
- ▶ Loading capacity 30 kg

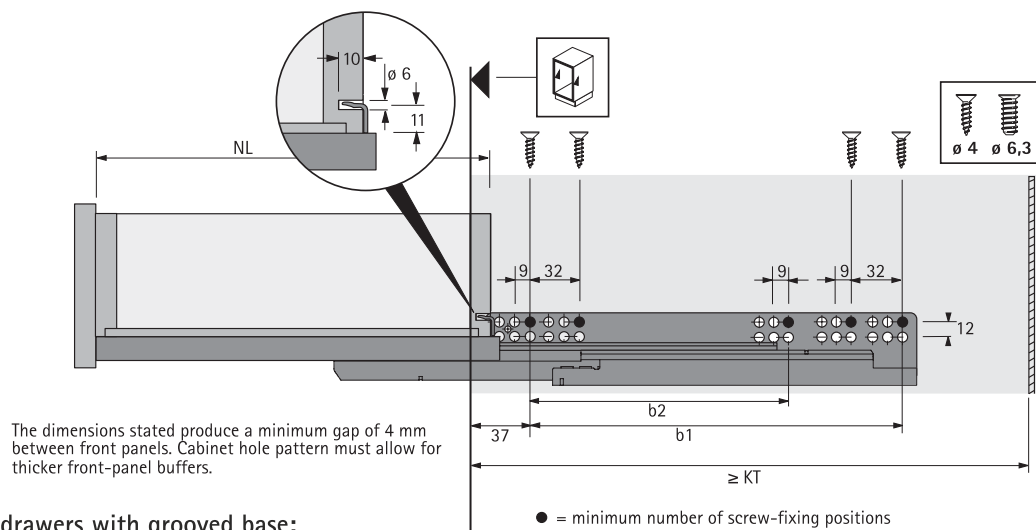
### Quadro (Push to open)



- ▶ **Push to open** - the precision Push to open mechanism automatically opens the drawer in virtual silence - a light press is all it takes!
- ▶ Convenient slide-on assembly with catches and toolless vertical adjustment.
- ▶ Loading capacity to EN 15338, Level 3
- ▶ Galvanised steel



### Planning dimensions



Catch for wooden drawers with grooved base:



Article	Order no.	PU
Left catch	9 144 830	10 ea.
Right catch	9 144 841	10 ea.

### Quadro V6 with Push to open

Nominal length / Drawer length NL mm	Minimum carcass depth KT mm	Hole spacing b1 mm	Hole spacing b2 mm	Order no.
				1 Pair
250	263	142		9 135 984
300	313	192		9 135 985
350	363	192		9 135 987
400	413	224		9 135 989
450	463	256		9 135 991
500	513	288	224	9 135 993
550	563	288	224	9 135 995

Using the mounting plug reduces drawer length (NL) by 10 mm.

## Quadro 4D V6 with Silent System

- ▶ Full extension runner
- ▶ Loading capacity 30 kg

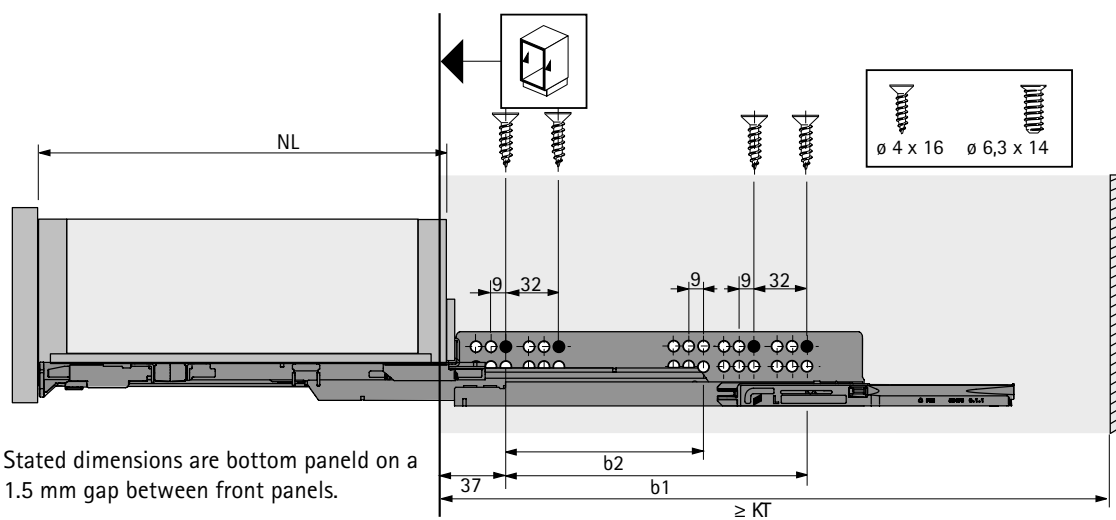
### Quadro



- ▶ Silent System - the integrated Silent System closes the drawer quietly and gently
- ▶ Convenient slide on installation with 4D catches and tilt adjustment
- ▶ Integrated intuitive height, side, tilt and depth adjustment up to +/- 2 mm without the need for tools
- ▶ Loading capacity to EN 15338, Level 3
- ▶ Galvanised steel, suitable for rooms exposed to moisture



### Planning dimensions



### Catch for wooden drawers with grooved bottom panel



- ▶ For securely connecting the Quadro runner and wooden drawer without the need for tools
- ▶ Tool-less height adjustment up to + 2 mm and side adjustment up to +/- 1.5 mm
- ▶ Plastic, grey

Note: Catch for wooden runner is included in Quadro 4D V6 Chennel

### Quadro 4D V6 with Silent System

Nominal length / drawer length NL mm	Minimum carcass depth KT mm	Hole spacing b1 mm	Hole spacing b2 mm (optional instead of b1)	Order no.	PU
300	313	192		9 181 290	1 Set
350	363	192		9 181 292	1 Set
400	413	224		9 181 294	1 Set
450	463	256		9 181 296	1 Set
500	513	288	224	9 181 298	1 Set
550	563	288	224	9 181 300	1 Set
600	613	352		9 181 302	1 Set



## Quadro V6+ with Silent System

- ▶ Full extension runner
- ▶ Loading capacity 50 kg

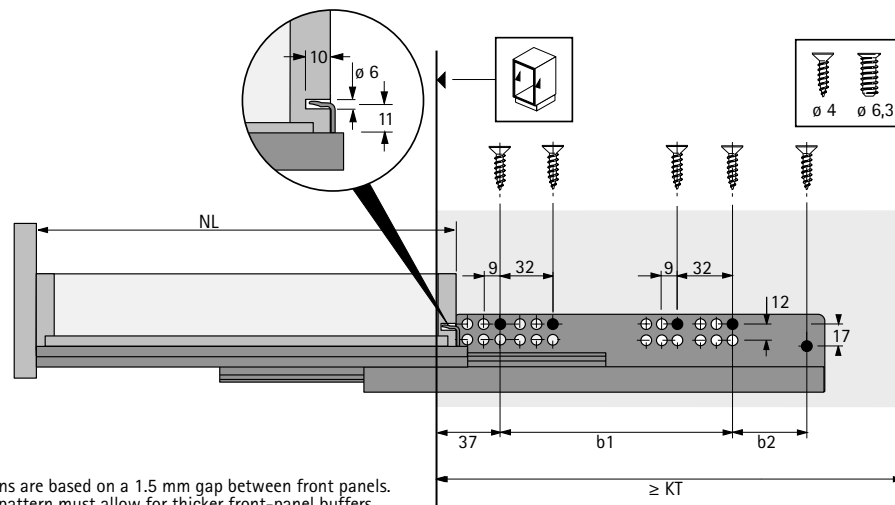
### Quadro V6+



- ▶ Silent System - the integrated Silent System closes the drawer quietly and gently
- ▶ Convenient slide on installation with catches and tool-less height adjustment
- ▶ Loading capacity to EN 15338, Level 3
- ▶ Galvanised steel, suitable for rooms exposed to moisture



### Planning dimensions



Stated dimensions are based on a 1.5 mm gap between front panels. Carcase drilling pattern must allow for thicker front-panel buffers.

● = minimum number of screw-fixing positions

### Catch for wooden drawers with grooved bottom panel



- ▶ For securely connecting the Quadro runner & wooden drawer without the need for tools
- ▶ Infinitely variable height adjustment up to + 2 mm at knurled wheel
- ▶ Plastic, black

Article	Order no.	PU
Catch, Quadro V6+ EB20, left	9 117 483	100 ea.
Catch, Quadro V6+ EB20, right	9 117 485	100 ea.

### Quadro V6+ with Silent System

Nominal length / Drawer length NL mm	Minimum carcase depth KT mm	Hole spacing b1 mm	Hole spacing b2 mm	Order no.		PU
				left	right	
350	363	192	21	9 119 167	9 119 168	16 ea.
380	393	224	19	9 119 191	9 119 192	16 ea.
400	413	224	32	9 115 506	9 115 507	16 ea.
420	433	224	32	9 119 193	9 119 194	16 ea.
450	463	256	32	9 119 148	9 119 149	16 ea.
480	493	256	32	9 119 195	9 119 196	8 ea.
500	513	288	64	9 115 580	9 115 581	8 ea.
520	533	288	64	9 119 197	9 119 198	8 ea.
550	563	288	64	9 119 162	9 119 164	8 ea.
580	593	352	64	9 119 199	9 119 200	8 ea.
600	613	352	64	9 115 538	9 115 539	8 ea.

## Kitchen experience:

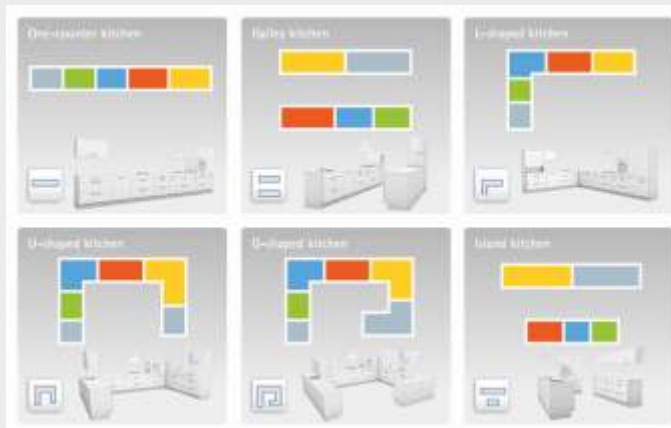
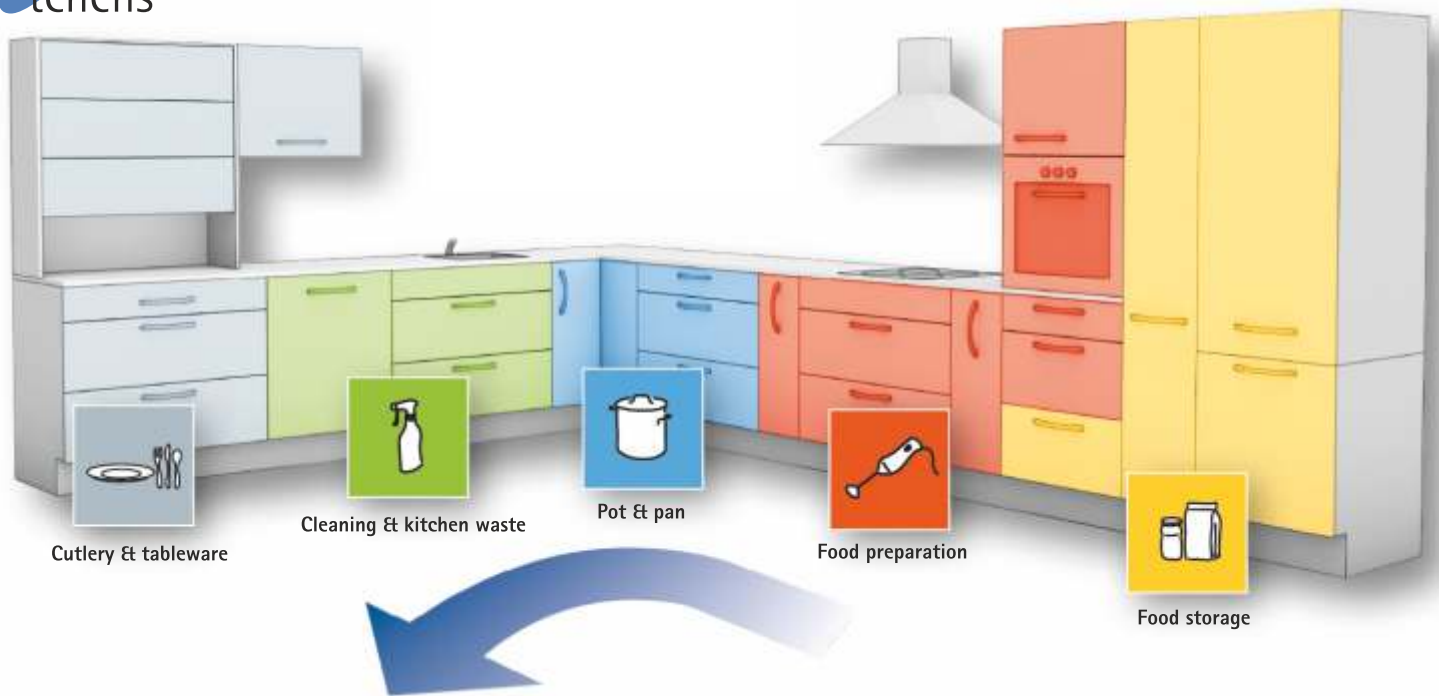
- ▶ Convenience and design for indulgers



The kitchen has always been the focal point of everyday living. Hettich provides convenience and quality of life here too. With practical fitting technology that makes kitchen work easier and improves ergonomics. With drawers that open almost by themselves and close again in complete silence. With pull-outs designed to carry heavy loads for clearly organised, easy access food storage.

At the same time, Hettich technology for furniture opens up new avenues in design. Handleless front panels, wide pull-outs and large surface fronts with narrow reveals make aesthetic statements in modern kitchens. And create a purist, exclusive design for indulgers!

## intelligent kitchens



### Intelligent Kitchens

There are three important points to bear in mind when planning a kitchen:

- ▶ Keep the distance short
- ▶ Get the ergonomics right
- ▶ Take advantage of today's brilliant internal fittings



Working with the five functional areas (illustrated), the planning concept helps to produce a layout that keeps distances short & workflow smooth. It also identifies intelligent storage solution for each area. Hettich's functional fittings are key elements in an intelligent, user friendly kitchen. They help to ensure good ergonomics, efficient storage & easy access.



# Drawer systems

► Range summary / Technical comparison



	MultiTech	InnoTech	ArciTech
			
Page	62	63-74	75-84
Drawer system	single-walled	double-walled	double-walled
Material / Finish	Powder-coated steel, white, grey	Powder-coated steel, silver, white, anthracite	Powder-coated steel, silver, white, anthracite, stainless steel
Number of drawer side profile heights	5	2	3
Number of rear panel heights	5	4	7
Number of drawers / internal drawers	3	2	4
Nominal lengths	250 - 550 mm	260 - 620 mm	270 - 650 mm
Drawer runner	Roller runner	Quadro	Actro
Compensation of carcass side thickness (16, 18, 19 mm) by drawer runner	no	yes	yes
Load capacity full extension	30 kg	30 / 50 kg	40 / 60 / 80 kg
Load capacity partial extension	25 kg	25 kg	-
Silent System soft closure	yes	yes	yes
Mechanical opening system Push to open	no	yes	yes
Electromechanical opening system Easys	no	yes	yes

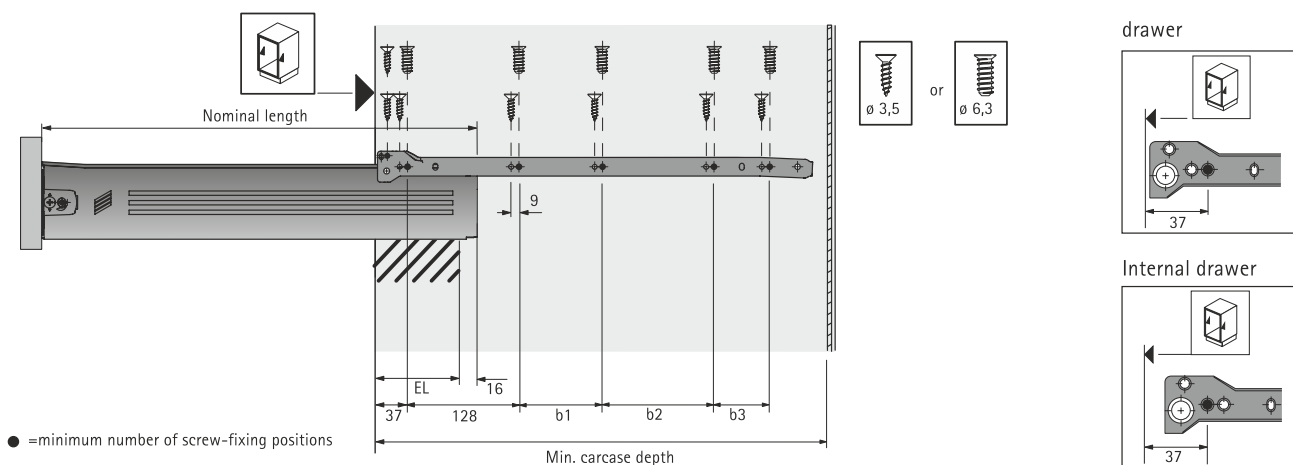
# Drawer system: MultiTech

► Drawer / internal drawer, 86 mm, 118 mm, 150 mm height

## MultiTech



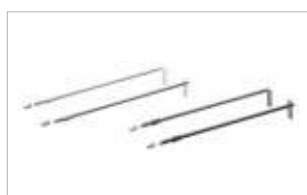
## Lengthwise cross-section



Nominal length mm	Hole spacing b1 mm	Hole spacing b2 mm	Hole spacing b3 mm	Extension loss EL mm	Minimum carcass depth drawer	Minimum carcass depth internal drawer
400	96	96	32	85	410	419
450	96	128	32	95	460	469
500	96	128	64	100	510	519

## MultiTech nominal length

Nominal length	Order no.	Order no.	Order no.	PU
	White (86 mm)	White (118 mm)	White (150 mm)	
400	9 127 881	9 127 895	9 127 909	1/10 set
450	9 127 883	9 127 911	9 127 911	1/10 set
500	9 127 885	9 127 899	9 127 913	1/10 set



**Lengthwise railing:**  
► Nominal length 500 mm

Order no.	PU
0 051 483	1/10 set



**Silent system soft closure**

Order no.	PU
9 137 935	1/10 set



**Drawer front connector for side profile:**  
► Steel nickel-plated

Order no.	PU
0 054 997	1/20 ea.



# Double-walled drawer system InnoTech

- ▶ Drawer set, height 70 mm & 144 mm
- ▶ Powder-coated steel, silver

## InnoTech drawer (70 mm)



## InnoTech pot & pan drawer (144 mm)



## System Components



### Drawer side profile:

Length mm	Order no. L	Order no.R
350	1 062 015	1 062 016
420	1 062 017	1 062 018
470	1 062 019	1 062 020
520	1 062 521	1 062 522
620	1 077 781	1 077 782



### Drawer front connector for lengthwise railing:

- ▶ White plastic

Mounting option	Order no.
Screw-on type	9 002 503



### Drawer front connector for side profile:

- ▶ White plastic

Mounting option	Order no.
Screw-on type	1 065 191



### Lengthwise railing:

Nominal length mm	Order no.
350	1 070 630
420	1 063 675
470	1 062 394
520	1 062 677
620	1 077 931



### Rear panel connector:

- ▶ For wooden or aluminium rear panel

Nominal length mm	Order no.	
	left	right
70	1 062 501	1 062 502
144	9 007 355	9 007 356



### Steel rear panel:

- ▶ For standard carcass width

Carcass width mm	Order no. (70 mm)	Order no. (144 mm)	PU
600	1 061 907	9 004 072	20 pc
900	1 062 961	9 004 075	20 pc



### Cover cap:

- ▶ Plastic

Finish	Order no.
Grey with Hettich logo	9 079 220



### Decorative profile:

- ▶ Plastic, chrome effect
- ▶ PU 20 pc

Nominal length mm	Order no.
470	9 068 242
520	9 068 244



### Quadro V6 30 kg & V6 + 50 kg

- ▶ Installed width 9.5 mm

For drawer side profile mm	Order no. (30 kg)	Order no. (50 kg)	PU
350, Full extension	0 045 310	9 079 083	1 pair
420, Full extension	0 045 311	0 048 360	1 pair
470, Full extension	0 045 312	0 048 361	1 pair
520, Full extension	0 045 313	0 048 362	1 pair
620, Full extension		0 040 271	1 pair
470, Push to open	9 143 499		1 pair
520, Push to open	9 143 500		1 pair



# Internal drawer system InnoTech

## InnoTech internal drawer basic add on components



### InnoTech internal drawer basic:

- ▶ Quick insertion and removal of the internal drawer
- ▶ No bottom panel machining
- ▶ Toolless assembly/disassembly and convenient front panel adjustment
- ▶ Perfect drawer action with Quadro partial or full extension; optionally with Silent System for closing quietly and gently – adapted to the thickness of the cabinet sides with 16, 18 and 19 mm

Description	Order no.	PU
Aluminium front panel basic length 2000mm	0 044 925	1 ea.
Corner connector for drawer front basic	0 044 926	1/10 ea.



### InnoTech internal pot & pan drawer basic:

- ▶ Quick insertion and removal of the internal pot-and-pan drawer
- ▶ No bottom panel machining
- ▶ Toolless assembly/disassembly and convenient front panel adjustment
- ▶ Perfect drawer action with Quadro partial or full extension; optionally with Silent System for closing quietly and gently – adapted to the thickness of the cabinet sides with 16, 18 and 19 mm

Description	Order no.	PU
Aluminium front panel basic length 2000mm	0 044 925	1 ea.
Corner connector for drawer front basic	0 046 733	1/10 set
Crosswise railing (1141 mm)	1 074 009	5 ea.

## InnoTech internal drawer exclusive add on components



### InnoTech internal drawer exclusive:

- ▶ Quick insertion and removal of the internal drawer
- ▶ No bottom panel machining

Description	Order no.	PU
Corner connector for drawer front exclusive	9 079 115	1 set

### Glass front:

Carcase width mm	Order no.	PU
450	9 079 147	1 set
500	9 079 148	1 set
600	9 079 310	1 set
800	9 079 311	1 set
900	9 079 312	1 set

## Double-walled drawer system InnoTech

- ▶ Drawer set, height 70 mm & 144 mm
- ▶ Powder-coated steel, silver

### InnoTech TopSide



Description	Order no.	PU
H 144/420 Silver	9 005 408	1 set
H 144/470 Silver	9 004 087	1 set
H 144/520 Silver	9 005 411	1 set
H 144/620 Silver	9 006 455	1 set
InnoTech universal adapter TopSide H144 Gray	9 079 648	1 set



#### TopSide in plastic:

- ▶ Not suitable for use in combination with decorative profile
  - ▶ Translucent
  - ▶ 2 each or 1 set are needed per pull-out
- Set comprises:
- ▶ 2 TopSides



#### TopSide universal adapter:

- ▶ For using TopSide in glass or any chosen materials
  - ▶ Plastic
- Set comprises:
- ▶ 2 adapters, front left and right
  - ▶ 2 adapters, rear left and right

### Innotech DesignSide



Description	Order no.	PU
DesignSide Grey, Float glass+adapters 470 mm	9 100 889	1 set
DesignSide Grey, Float glass+adapters 520 mm	9 100 890	1 set



#### DesignSide in glass:

- ▶ DesignSide adapter premounted
- ▶ Including front connectors with expanding dowel & for screw-mounting
- ▶ Clear float glass / grey plastic



#### DesignSide adapter:

- ▶ For combining with DesignSide in any chosen material
- ▶ Complete with drawer front connector with expanding dowels
- ▶ Plastic grey

Description	Order no.	PU
DesignSide adapter	9 100 878	20 set

## Double-walled drawer system InnoTech

- ▶ Interior organisers system for drawers / internal drawers
- ▶ Powder-coated steel, silver

### Cutlery Tray



#### OrgaTray 440:

- ▶ For general-purpose use
- ▶ For nominal lengths of 470, 520 mm
- ▶ Knife holder and/or spice rack can be added
- ▶ Plastic silver

Carcase width mm	Order no.	PU
600 (For Depth370-440)	9 194 924	1 set
450 (For Depth441-520)	9 194 934	1 set
500 (For Depth441-520)	9 194 935	1 set
550 (For Depth441-520)	9 194 936	1 set
600 (For Depth441-520)	9 194 937	1 set
800 (For Depth441-520)	9 194 939	1 set
900 (For Depth441-520)	9 194 940	1 set



#### OrgaTray 560:

- ▶ For nominal lengths of 470 and 520 mm
- ▶ The set contains two variable dividing elements for organising the compartment to suit needs
- ▶ Plastic silver

Nominal width mm	Order no. 470 mm	520 mm	PU
450 mm	0 013 304	-	1 ea.
600 mm	0 013 306	0 013 317	1 ea.
800 mm	0 013 307	-	1 ea.
900 mm	0 013 308	0 013 319	1 ea.



#### OrgaTray 490

- ▶ Variable in width, suitable for use in carcasses
- ▶ in widths of 450 mm and over
- ▶ 2 can be fitted in carcass widths of 800 mm and over
- ▶ Plastic, silver

Order no. / Nominal length in mm		PU
470	520	
9 207 241	9 207 242	1 ea.



#### OrgaTray 610

- ▶ Premounted steel cutlery tray
- ▶ Suitable for variable width use in carcasses
- ▶ in widths of 450 mm and over
- ▶ 2 can be fitted in carcass widths of 900 mm and over
- ▶ Anti slip mat must be ordered separately

Order no.	PU
9 194 881	1 set

## Double-walled drawer system InnoTech

- ▶ Interior organisers system for drawers / internal drawers
- ▶ Powder-coated steel, silver

### Cutlery Tray



#### Orga Store 100

- ▶ Suitable for pot-and-pan drawer / internal pot-and-pan drawer with railing, height 144
- ▶ Adapted to standard carcass width
- ▶ Can also be used for customised drawer widths by shortening the crosswise railing

Set comprises:

- ▶ Dividing element
- ▶ Cover cap



Description	Order no.	PU
IT Orga Store Flag Grey	9 014 651	1 set



#### Orga Stripe

- ▶ Flexible organiser system
- ▶ The self adhesive strips can be used in virtually any drawer
- ▶ The cross partitions and dividers in a thickness of 4 mm provide
- ▶ plenty of scope for individually tailored organisation



Description	Order no.	PU
Orga Profile 1100 mm Grey	9 203 466	1 set
Orga Clip Grey	9 203 469	1 set



#### OrgaStore 400

- ▶ For pot-and-pan drawer or internal pot-and-pan drawer with railing
- ▶ Crosswise railings and lengthwise dividers must be ordered separately
- ▶ It is recommended to fit an anti-slip mat

Article	Finish	Order no.	PU
Crosswise railing 2000 mm	Silver	9 182 706	1
Adapter	Anthracite	9 182 222	1
lengthwise divider	Anthracite	9 182 225	1
Crosswise railing 2000 mm	White	9 182 714	1
Adapter	White	9 182 223	1
lengthwise divider	White	9 182 227	1
Crosswise railing 2000 mm	Anthracite	9 182 712	1



## Double-walled drawer system InnoTech

- ▶ Interior organisers for pot-and-pan drawers / internal pot-and-pan drawers
- ▶ Powder-coated steel, silver

### Interior organisers for drawer



#### OrgaFlag Advanced

- ▶ For inserting into the pot-and-pan drawer
- ▶ All carcasses widths possible by combining basic and upgrade set

Carcase width mm	Order no. / Nominal length in mm		PU
	470	520	
600	9 194 869	9 194 872	1 set
900	9 194 870	9 194 873	1 set



#### Crosswise railing for Pot & Pan drawer

- ▶ For nominal lengths of 470 and 520 mm
- Double railing kit**
- Set comprises:
- ▶ Corner posts, left and right, grey plastic
  - ▶ 2 lengthwise railings
  - ▶ 2 knock-in front connectors for lengthwise railing
- Crosswise railing**
- ▶ For cutting to length
  - ▶ Length 1141 mm

Item Description	Order no.	PU
Double railing kit 470 mm	0 010 016	1
Double railing kit 520 mm	0 010 017	1
Crosswise railing 1100 mm Silver (77924)	1 074 009	5
Mount for crosswise railing (77925)	1 070 632	20



#### Lengthwise railing for wooden rear panel: (Add on kit)

- ▶ For wooden rear panels of any height
- ▶ Lengthwise railing positioned along the top and sides of the wooden rear panel
- ▶ 2 front connectors for lengthwise railing must be ordered separately

#### Set comprises:

- ▶ 1 lengthwise railing with adapter for wooden rear panel, left and right

#### Lengthwise railing for wooden rear panel:

Nominal length mm	Order no.	PU
470	1 081 333	8 set
520	1 081 335	8 set

#### Drawer front connector for lengthwise railing:

Mounting option	Order no.	PU
With expanding dowel	9 002 503	2 pc

## Double-walled drawer system InnoTech

- ▶ Interior organisers for pot-and-pan drawers / internal pot-and-pan drawers
- ▶ Powder-coated steel, silver

### Interior organisers for drawer



#### Plate Rack, for storage of plates up to 29 cm diameter

- ▶ For handy storage of plates up to 29 cm in diameter
  - Variable width due to slot-in modules
  - The plate rack module and set of end caps can accommodate 7 plates
- ▶ Simply clips on
- ▶ Plastic/White/ Silver



Item Description	Order no.	PU
Plate rack silver	9 132 521	1
Set of end caps silver	9 132 522	1



#### OrgaStore 240

- ▶ Can be used in any way by combining cross partitions with the perforated base
- ▶ Oak, matt, lacquered
- ▶ Adapted to standard carcass width
- ▶ Can be cut to any chosen length
- ▶ Cross partitions must be ordered separately

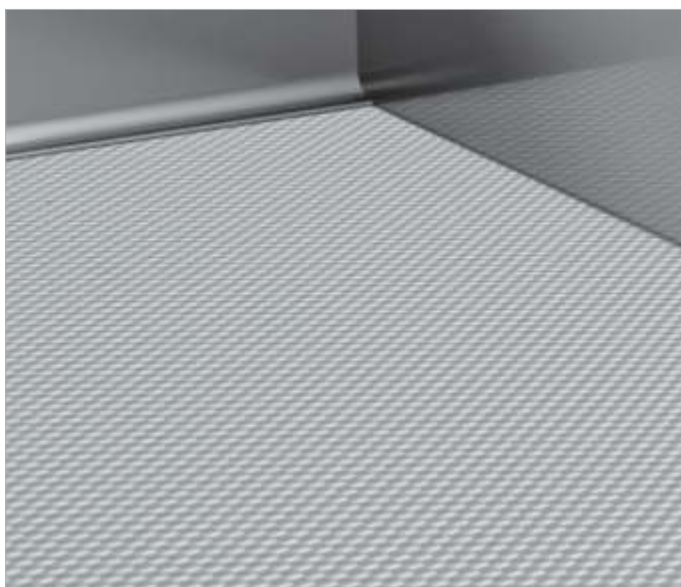


Carcass width mm	Order no. / Nominal length in mm	PU
470		
600	9 209 898	1 ea.
900	9 209 900	1 ea.

- ▶ Cross partition with premounted fixing pins
- ▶ 82 x 10 x 120 mm

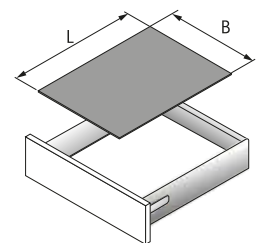


Order no.	PU
9 209 908	1/4 ea.



#### Anti-slip mat (5 m roll)

- ▶ For inserting into the drawer or pot-and-pan drawer
- ▶ 5 m roll
- ▶ Plastic, silver, white, anthracite
- Advice:
  - ▶ Trimmed width (B) = LB - 2 x EB - 59
  - ▶ Cut length (L) = nominal length - 7.7



Finish	Order no. / Nominal length in mm		PU
	470	520	
Silver	9 209 533	9 209 536	1 ea.
Anthracite	9 209 579	9 209 581	1 ea.



# Double-walled drawer system InnoTech

- ▶ Drawer set, height 70 mm & 144 mm
- ▶ Powder-coated steel, White

## InnoTech drawer (70 mm) InnoTech pot & pan drawer (144 mm)



### System Components



#### Drawer side profile:

Length mm	Order no. L	Order no.R
350	1 062 511	1 062 512
420	1 062 513	1 062 514
470	1 062 454	1 062 455
520	1 062 515	1 062 516
620	9 104 146	9 104 147



#### Drawer front connector for lengthwise railing:

- ▶ White plastic

Mounting option	Order no.
Screw-on type	9 002 503



#### Drawer front connector for side profile:

- ▶ White plastic

Mounting option	Order no.
Screw-on type	1 065 191



#### Lengthwise railing:

Nominal length mm	Order no.
350	1 070 628
420	1 063 676
470	1 062 549
520	1 070 678
620	1 077 932



#### Rear panel connector:

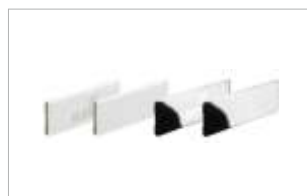
- ▶ For wooden or aluminium rear panel

Nominal length mm	Order no.	
	left	right
70	1 062 503	1 062 504
144	9 060 648	9 060 649



#### Steel rear panel:

- ▶ For standard carcass width



#### Cover cap:

- ▶ Plastic

Finish	Order no.
White with Hettich logo	9 104 095

Carcass width mm	Order no. (70 mm)	Order no. (144 mm)	PU
600	1 062 493	9 027 404	20 pc
900	1 063 662	9 027 406	20 pc



#### Decorative profile:

- ▶ Plastic, chrome effect
- ▶ PU 20 pc

Nominal length mm	Order no.
470	9 068 242
520	9 068 244



#### Quadro V6 30 kg & V6+50 kg:

- ▶ Installed width 9.5 mm

For drawer side profile mm	Order no. (30 kg)	Order no. (50 kg)	PU
350, Full extension	0 045 310	9 079 083	1 pair
420, Full extension	0 045 311	0 048 360	1 pair
470, Full extension	0 045 312	0 048 361	1 pair
520, Full extension	0 045 313	0 048 362	1 pair
620, Full extension		0 040 271	1 pair
470, Push to open	9 143 499		1 pair
520, Push to open	9 143 500		1 pair

## Double-walled drawer system InnoTech

- ▶ Drawer set, height 70 mm & 144 mm
- ▶ Powder-coated steel, white

### InnoTech TopSide

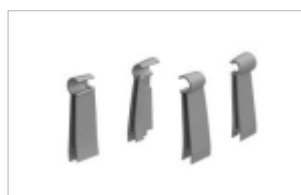


Description	Order no.	PU
H114 / 420 Translucent	0 041 071	1 set
H114 / 470 Translucent	9 008 753	1 set
H114 / 520 Translucent	9 008 754	1 set
H114 / 620 Translucent	0 041 074	1 set
InnoTech universal adapter TopSide H144 Gray	9 079 648	1 set



#### TopSide in plastic

- ▶ Not suitable for use in combination with decorative profile
- ▶ Translucent
- ▶ 2 each or 1 set are needed per pull-out
- Set comprises:
  - ▶ 2 TopSides



#### TopSide universal adapter:

- ▶ For using TopSide in glass or any chosen materials
- ▶ Plastic
- Set comprises:
  - ▶ 2 adapters, front left and right
  - ▶ 2 adapters, rear left and right

### Innotech DesignSide



Description	Order no.	PU
DesignSide Grey, Float glass+adapters 470 mm	9 102 943	1 set
DesignSide Grey, Float glass+adapters 520 mm	9 102 945	1 set



#### DesignSide in glass

- ▶ DesignSide adapter premounted
- ▶ Including front connectors with expanding dowel and for screw-mounting
- ▶ Clear float glass / white plastic



#### DesignSide adapter

- ▶ For combining with DesignSide in any chosen material
- ▶ Including front connector with expanding dowels
- ▶ Plastic white

Description	Order no.	PU
DesignSide adapter	9 100 882	20 set

## Double-walled drawer system InnoTech

- ▶ Interior organisers system for drawers / internal drawers
- ▶ Powder-coated steel, white

### Interior organisers for drawer



#### OrgaTray 440

- ▶ For general-purpose use
- ▶ Knife holder and/or spice rack can be added, Finish: Plastic, white

Nominal width mm	Order no./ depth		PU
	370-440 mm	441- 520 mm	
400		9 194 966	1 set
450		9 194 967	1 set
500		9 194 968	1 set
600	9 194 955	9 194 969	1 set
800		9 194 970	1 set
900		9 194 971	1 set



#### OrgaTray 560

- ▶ Adapted to standard carcass width
- ▶ For nominal lengths of 470 & 520 mm
- ▶ The set contains two variable dividing elements for organising the compartment to suit needs, Finish: Plastic, white

Nominal width mm	Order no. 470 mm	520 mm	PU
450 mm	9 113 859	-	1 ea.
600 mm	9 113 863	9 113 875	1 ea.
800 mm	9 113 865	-	1 ea.
900 mm	9 113 866	9 113 878	1 ea.



#### OrgaTray 490

- ▶ Variable in width, suitable for use in carcasses
- ▶ in widths of 450 mm and over
- ▶ 2 can be fitted in carcass widths of 800 mm and over Finish: Plastic, white

Order no. / Nominal length in mm		PU
470	520	
9 207 243	9 207 245	1 ea.



#### OrgaTray 610

- ▶ Pre-mounted steel cutlery tray
- ▶ Suitable for variable width use in carcasses
- ▶ in widths of 450 mm and over
- ▶ 2 can be fitted in carcass widths of 900 mm and over
- ▶ Anti slip mat must be ordered separately

Order no.	PU
9 194 882	1 set

## Double-walled drawer system InnoTech

- ▶ Drawer set, height 70 mm & 144 mm
- ▶ Powder-coated steel, white

### Interior organisers for drawer



#### OrgaFlag Advanced

- ▶ For inserting into the pot-and-pan drawer
  - ▶ All carcasses widths possible by combining basic and upgrade set
  - ▶ Adapted to standard carcass width
  - ▶ Plastic, white
- Set comprises:
- ▶ Perforated bases with non-slip coating
  - ▶ Dividing elements

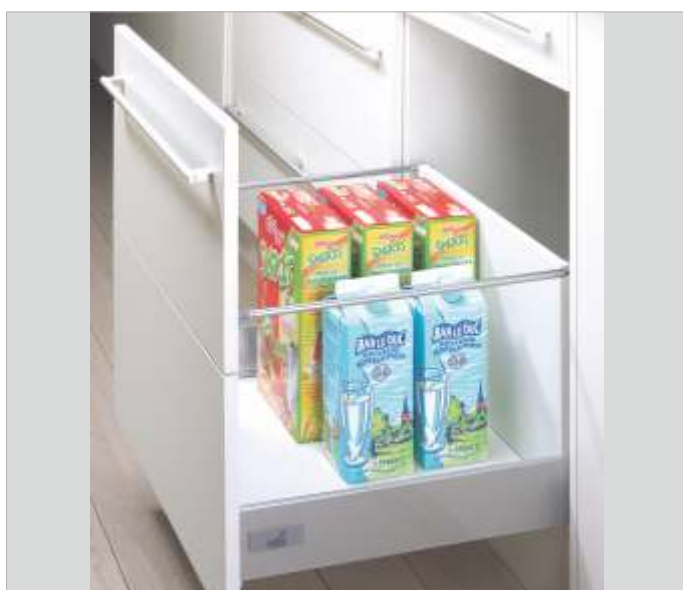
Carcass width mm	Order no. / Nominal length in mm		PU
	470	520	
600	9 194 875	9 194 878	1 set
900	9 194 876	9 194 879	1 set



#### Crosswise railing for Pot & drawer

- ▶ For cutting to length 470 and 520 mm
  - ▶ Length 1141 mm
  - ▶ Powder-coated steel, white or chrome effect
- Mount for crosswise railing
- ▶ 2 crosswise-railing mounts are required for each crosswise railing
  - ▶ White plastic

Item Description	Order no.	PU
Crosswise railing, White	1 074 008	1
Mount for crosswise railing	1 070 631	1



#### Lengthwise railing for wooden rear panel: (Add on kit)

- ▶ For wooden rear panels of any height
- ▶ Lengthwise railing positioned along the top and sides of the wooden rear panel
- ▶ 2 front connectors for lengthwise railing must be ordered separately

#### Set comprises:

- ▶ 1 lengthwise railing with adapter for wooden rear panel, left and right

#### Lengthwise railing for wooden rear panel:

Nominal length mm	Order no.	PU
470	1 081 332	8 set
520	1 081 334	8 set

#### Drawer front connector for lengthwise railing:

Mounting option	Order no.	PU
With expanding dowel	9 002 503	2 pc



## Double-walled drawer system InnoTech

- ▶ Interior organisers system for drawers / internal drawers
- ▶ Powder-coated steel, white

### Interior organisers for drawer



#### Plate Rack, for storage of plates up to 29 cm diameter

- ▶ For handy storage of plates up to 29 cm in diameter
  - Variable width due to slot-in modules
  - The plate rack module and set of end caps can accommodate 7 plates
- ▶ Simply clips on
- ▶ Plastic, White



Item Description	Order no.	PU
Plate rack white (Without end Caps)	9 132 496	1
Set of end caps white (For Plate rack module)	9 132 497	1



#### OrgaStore 240

- ▶ Can be used in any way by combining cross partitions with the perforated base
- ▶ Oak, matt, lacquered
- ▶ Adapted to standard carcass width
- ▶ Can be cut to any chosen length
- ▶ Cross partitions must be ordered separately

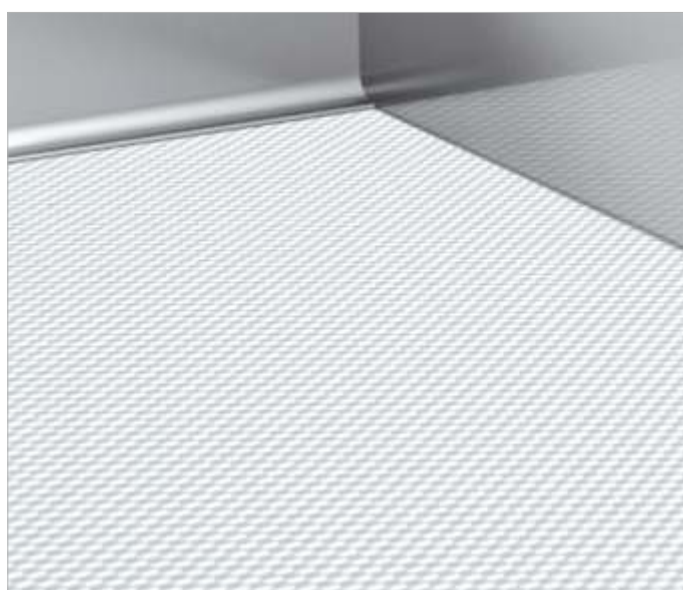


Carcass width mm	Order no. / Nominal length in mm	PU
470		
600	9 209 898	1 ea.
900	9 209 900	1 ea.

- ▶ Cross partition with premounted fixing pins
- ▶ 82 x 10 x 120 mm

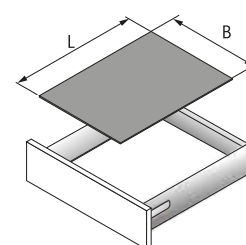


Order no.	PU
9 209 908	1/4 ea.



#### Anti-slip mat (5 m roll)

- ▶ For inserting into the drawer or pot-and-pan drawer
- ▶ 5 m roll
- ▶ Plastic, white
- Advice:
  - ▶ Trimmed width (B) = LB - 2 x EB - 59
  - ▶ Cut length (L) = nominal length - 7.7



Finish	Order no. / Nominal length in mm	PU
	470	520
White	9 209 572	9 209 574
		1 ea.

## Drawer system: ArciTech



Making light work of moving heavy drawers – this is where ArciTech excels. And gives you scope for modern design trends. ArciTech's the perfect choice for producing high and wide drawers as well as fitting heavy front panels: The sturdy Actro runner carries loads of up to 80 kg. Leaving drawers to open and close more quietly and gently than any other. ArciTech lets you meet even the most exacting demands on kitchen and living-room furniture.

**Gentle. Strong. Flexible.**



The Actro runner with its unique prism principle and synchronised control mechanism even brings secure, quiet action to heavy drawers.



Capacity to carry loads of 40, 60 and even 80 kg – even enough strength for large, heavy front panels.



The versatile platform concept permits customised solutions – while keeping production lean and efficient on the basis of one side panel.



# Double-walled drawer system ArciTech

- ▶ Drawer set, height 94 mm & 186 mm
- ▶ Powder-coated steel, silver

ArciTech drawer (94 mm)



ArciTech pot & pan drawer (186 mm)



## System Components



### Drawer side profile

Length mm	Order no. L	Order no.R
450	9 121 205	9 121 206
500	9 121 207	9 121 208
550	9 121 209	9 121 210



### Rear panel connector:

- ▶ For wooden or aluminium rear panel

Nominal length mm	Order no.	
	left	right
94	9 121 827	9 121 828
186	9 121 843	9 121 844



### Drawer front connector for side profile:

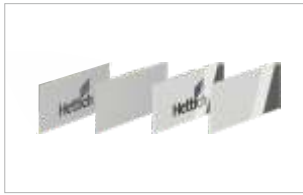
- ▶ Steel

Mounting option	Order no.
Screw-on type	9 123 011



### Lengthwise railing:

Nominal length mm	Order no.	
	Left	Right
450	9 121 993	9 121 994
500	9 122 003	9 122 004
550	9 122 013	9 122 014



### Cover cap:

- ▶ Plastic

Finish	Order no.
Alu. effect with Hettich logo	9 123 005



### Drawer front connector for lengthwise railing:

- ▶ Plastic

Mounting option	Order no.
Screw-on type	9 127 011



- ▶ Actro drawer runner with Silent System
- ▶ Carcase side thickness 18 mm
- ▶ Full extension
- ▶ With integrated Silent System soft-close system
- ▶ Steel galvanised
- ▶ Loading capacity to EN 15338, Level 3

Actro Runner mm	Order no. Left	Order no. Right	PU
450 (40 kg)	9 239 283	9 239 284	1
500 (40 kg)	9 239 287	9 239 288	1
550 (40 kg)	9 239 293	9 239 294	1
450 (60 kg)	9 239 285	9 239 286	1
500 (60 kg)	9 239 289	9 239 290	1
550 (60 kg)	9 239 295	9 239 296	1
500 (80 kg)	9 239 291	9 239 292	1
550 (80 kg)	9 239 297	9 239 298	1



### Push to open Silent opening system for ArciTech

Item Description	Order no.	PU
PTO Silent System Set up to 10 Kg-40 Kg	9 241 050	1
PTO Silent System Set up to 20 Kg-80 Kg	9 241 051	1



### Synchronisation Mechanism for 600 mm & above drawer carcase widths

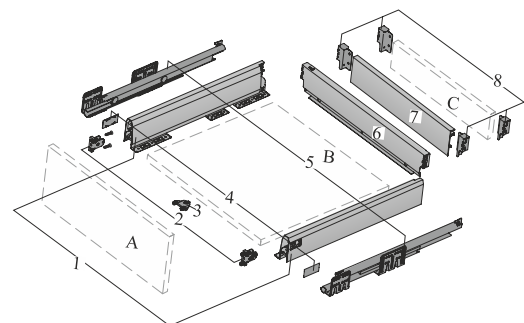
Item Description	Order no.	PU
Synchronisation Bar - 2000 mm	9 236 718	100
Mid Connector	9 221 295	20

## Set Comprises

- 1- Drawer side profile, left and right
- 2- Drawer front connector for side profile, 2 each
- 3- Front stabiliser, optional
- 4- Cover cap, 2 each
- 5- Actro drawer runner, left and right
- 6- Steel rear panel

### Alternatively:

- 7- Aluminium rear panel or C Wooden rear panel and
  - 8- Rear panel connector for wooden rear panel, left and right
- A- Front  
B- Bottom panel (material 16 mm thick)  
C- Wooden rear panel (material 16 mm thick)



## Double-walled drawer system ArciTech

- ▶ Internal drawer, height 94 mm & pot-and-pan drawer with railing, height 186 mm, side profile height 94 mm
- ▶ Powder-coated steel, silver

### ArciTech Internal drawer (94 mm & 186 mm)



### System Components



- Front panel:**
- ▶ For standard carcase width
  - ▶ With premounted connectors



- Front panel:**
- ▶ For standard carcase width
  - ▶ With premounted connectors and premounted railing

Carcass width mm	Order no.	PU
600 mm	9 122 799	1/15 ea.
900 mm	9 122 801	1/15 ea.

Carcass width mm	Order no.	PU
600 mm	9 122 853	1/15 ea.
900 mm	9 122 855	1/15 ea.

### ArciTech TopSide / DesignSide



- ▶ Pot-and-pan drawer with DesignSide / TopSide, height 186 mm, drawer side profile height 94 mm
- ▶ Powder-coated steel, silver



- DesignSide**
- ▶ Clear Float glass with glued-on connectors
  - ▶ Material 8 mm thick



- TopSide:**
- ▶ Includes knock-in and screw-on front connectors

Description	Order no.	PU
Design Side in glass 450 mm	9 122 987	1 set
DesignSide in glass 500 mm	9 122 988	1 set
Design Side in glass 550 mm	9 122 989	1 set
DesignSide adapters	9 122 973	1/15 set

Nominal length in mm	Order no.	PU
450	9 122 916	1 set
500	9 122 920	1 set
550	9 122 924	1 set

## Double-walled drawer system ArciTech

- ▶ Internal organisation system for drawers, pot-and-pan drawers and internal drawers
- ▶ Powder-coated steel, silver

### Internal organisation system



#### OrgaTray 440:

- ▶ For general-purpose use
- ▶ Knife holder and/or spice rack can be added. Plastic silver

Nominal width mm	Order no./ depth		PU
	370-440 mm	441- 520 mm	
400		9 194 934	1 set
450		9 194 935	1 set
500		9 194 936	1 set
600	9 194 924	9 194 937	1 set
800		9 194 939	1 set
900		9 194 940	1 set



#### OrgaTray 600 Advanced

- ▶ Variable in width, premounted for carcasses in widths of 500 mm and over, for drawerside profiles in heights of 94 mm , 2 can be fitted in carcasses in widths of 800 mm and over

Carcase width mm	Order no. (500 mm)	PU
450	9 123 112	1 set
500-1200	9 132 689	1 set



#### OrgaTray 570:

- ▶ Designed for standard carcass width
- ▶ For 94 mm side profile height
- ▶ For nominal length 500 mm
- ▶ Set includes variable dividers for organising tray in any way
- ▶ Plastic, silver

Carcase width mm	Order no. (500 mm)	PU
450	9 134 979	1 set
600	9 134 992	1 set
900	9 134 994	1 set



#### Orga Stripe

- ▶ Flexible organiser system
- ▶ The self adhesive strips can be used in virtually any drawer
- ▶ The cross partitions and dividers in a thickness of 4 mm provide plenty of scope for individually tailored organisation



Description	Order no.	PU
Orga Profile 1100 mm Grey	9 203 466	1 set
Orga Clip Grey	9 203 469	1 set



#### OrgaStore 400

- ▶ For pot-and-pan drawer or internal pot-and-pan drawer with railing
- ▶ Crosswise railings and lengthwise dividers must be ordered separately
- ▶ It is recommended to fit an anti-slip mat

Article	Finish	Order no.	PU
Crosswise railing 2000 mm	Silver	9 182 706	1
Adapter	Anthracite	9 182 222	1
lengthwise divider	Anthracite	9 182 225	1
Crosswise railing 2000 mm	White	9 182 714	1
Adapter	White	9 182 223	1
lengthwise divider	White	9 182 227	1
Crosswise railing 2000 mm	Anthracite	9 182 712	1

# Double-walled drawer system ArciTech

- ▶ Drawer set, height 94 mm & 186 mm
- ▶ Powder-coated steel, white

## ArciTech drawer (94 mm)      ArciTech pot & pan drawer (186 mm)



### System Components



#### Drawer side profile

Length mm	Order no. L	Order no.R
450	9 121 247	9 121 248
500	9 121 249	9 121 250
550	9 121 251	9 121 252



#### Rear panel connector:

- ▶ For wooden or aluminium rear panel

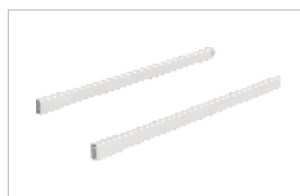
Nominal length mm	Order no.	
	left	right
94	9 121 829	9 121 830
186	9 121 845	9 121 846



#### Drawer front connector for side profile:

- ▶ Steel

Mounting option	Order no.
Screw-on type	9 123 011



#### Lengthwise railing:

Nominal length mm	Order no.	
	Left	Right
450	9 121 997	9 121 998
500	9 122 007	9 122 008
550	9 122 017	9 122 018



#### Cover cap:

- ▶ Plastic

Finish	Order no.
White with Hettich logo	9 123 006



#### Drawer front connector for lengthwise railing:

- ▶ Plastic

Mounting option	Order no.
Screw-on type	9 127 011



- ▶ Actro drawer runner with Silent System
- ▶ Carcase side thickness 18 mm
- ▶ Full extension
- ▶ With integrated Silent System soft-close system
- ▶ Steel galvanised
- ▶ Loading capacity to EN 15338, Level 3

Actro Runner mm	Order no. Left	Order no. Right	PU
450 (40 kg)	9 239 283	9 239 284	1
500 (40 kg)	9 239 287	9 239 288	1
550 (40 kg)	9 239 293	9 239 294	1
450 (60 kg)	9 239 285	9 239 286	1
500 (60 kg)	9 239 289	9 239 290	1
550 (60 kg)	9 239 295	9 239 296	1
500 (80 kg)	9 239 291	9 239 292	1
550 (80 kg)	9 239 297	9 239 298	1



#### Push to open Silent opening system for ArciTech

Item Description	Order no.	PU
PTO Silent System Set up to 10 Kg-40 Kg	9 241 050	1
PTO Silent System Set up to 20 Kg-80 Kg	9 241 051	1



#### Synchronisation Mechanism for 600 mm & above drawer carcase widths

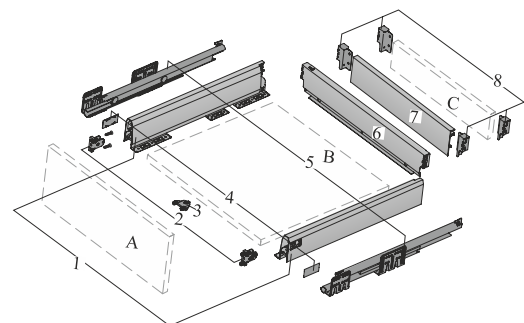
Item Description	Order no.	PU
Synchronisation Bar - 2000 mm	9 236 718	100
Mid Connector	9 221 295	20

### Set Comprises

- 1- Drawer side profile, left and right
- 2- Drawer front connector for side profile, 2 each
- 3- Front stabiliser, optional
- 4- Cover cap, 2 each
- 5- Actro drawer runner, left and right
- 6- Steel rear panel

#### Alternatively:

- 7- Aluminium rear panel or C Wooden rear panel and
- 8- Rear panel connector for wooden rear panel, left and right
- A- Front
- B- Bottom panel (material 16 mm thick)
- C- Wooden rear panel (material 16 mm thick)





## Double-walled drawer system ArciTech

- ▶ Internal pot-and-pan drawer with DesignSide / TopSide, height 186 mm, drawer side profile height 94 mm
- ▶ Powder-coated steel, white

### ArciTech Internal drawer (94 mm & 186 mm)



### System Components



- Front panel:**
- ▶ For standard carcase width
  - ▶ With premounted connectors



- Front panel:**
- ▶ For standard carcase width
  - ▶ With premounted connectors and premounted railing

Carcass width mm	Order no.	PU
600 mm	9 122 808	1/15 ea.
900 mm	9 122 810	1/15 ea.

Carcass width mm	Order no.	PU
600 mm	9 122 862	1/15 ea.
900 mm	9 122 864	1/15 ea.

### ArciTech TopSide / DesignSide



- ▶ Pot-and-pan drawer with DesignSide / TopSide, height 186 mm, drawer side profile height 94 mm
- ▶ Powder-coated steel, white



- DesignSide**
- ▶ Clear Float glass with glued-on connectors
  - ▶ Material 8 mm thick



- TopSide:**
- ▶ Includes knock-in and screw-on front connectors

Description	Order no.	PU
Design Side in glass 450 mm	9 122 987	1 set
DesignSide in glass 500 mm	9 122 988	1 set
Design Side in glass 550 mm	9 122 989	1 set
DesignSide adapters	9 122 975	1/15 set

Nominal length in mm	Order no.	PU
450	9 122 918	1 set
500	9 122 922	1 set
550	9 122 926	1 set

## Double-walled drawer system ArciTech

- ▶ Internal organisation system for pot-and-pan drawers and internal drawers
- ▶ Powder-coated steel, white

### Internal organisation system



#### OrgaTray 440

- ▶ For general-purpose use
- ▶ Knife holder and/or spice rack can be added, Finish: Plastic, white

Width mm	Order no./ depth		PU
	370-440 mm	441- 520 mm	
401-450		9 194 966	1 set
451-500		9 194 967	1 set
501-600	9 194 955	9 194 968	1 set
601-700		9 194 969	1 set
701-800		9 194 970	1 set
801-900		9 194 971	1 set



#### OrgaTray 600 Advanced

- ▶ Variable in width, premounted for carcasses in widths of 500 mm and over, for drawerside profiles in heights of 94 mm , 2 can be fitted in carcasses in widths of 800 mm and over

Carcase width mm	Order no. (500 mm)	PU
450	9 123 130	1 set
500-1200	9 132 690	1 set



#### OrgaTray 570 :

- ▶ Designed for standard carcase width
- ▶ For 94 mm side profile height
- ▶ For nominal length 500 mm
- ▶ Set includes variable dividers for organising tray in any way
- ▶ Plastic, white

Carcase width mm	Order no. (500 mm)	PU
450	9 135 016	1 set
600	9 135 019	1 set
900	9 135 031	1 set



#### OrgaStore 400

- ▶ For pot-and-pan drawer or internal pot-and-pan drawer with railing
- ▶ Crosswise railings and lengthwise dividers must be ordered separately
- ▶ It is recommended to fit an anti-slip mat

Article	Finish	Order no.	PU
Crosswise railing 2000 mm	White	9 182 714	1
Adapter	White	9 182 223	1
lengthwise divider	White	9 182 227	1



# Double-walled drawer system ArciTech

- ▶ Pot-and-pan drawer with railing, height 186 mm, drawer side profile height 94 mm
- ▶ Powder-coated steel, anthracite

## ArciTech drawer (94 mm)      ArciTech pot & pan drawer (186 mm)



### System Components



#### Drawer side profile

Length mm	Order no. L	Order no.R
450	9 121 289	9 121 290
500	9 121 291	9 121 292
550	9 121 293	9 121 294



#### Rear panel connector:

- ▶ For wooden or aluminium rear panel

Nominal length mm	Order no.	
	left	right
94	9 121 831	9 121 832
186	9 121 847	9 121 848



#### Drawer front connector for side profile:

- ▶ Steel

Mounting option	Order no.
Screw-on type	9 123 011



#### Lengthwise railing:

Nominal length mm	Order no.	
	left	right
450	9 121 995	9 121 996
500	9 122 005	9 122 006
550	9 122 015	9 122 016



#### Cover cap:

- ▶ Plastic

Finish	Order no.
Anthracite with Hettich logo	9 123 005



#### Drawer front connector for lengthwise railing:

- ▶ Plastic

Mounting option	Order no.
Screw-on type	9 127 011



- ▶ Actro drawer runner with Silent System
- ▶ Carcase side thickness 18 mm
- ▶ Full extension
- ▶ With integrated Silent System soft-close system
- ▶ Steel galvanised
- ▶ Loading capacity to EN 15338, Level 3

Actro Runner mm	Order no. Left	Order no. Right	PU
450 (40 kg)	9 239 283	9 239 284	1
500 (40 kg)	9 239 287	9 239 288	1
550 (40 kg)	9 239 293	9 239 294	1
450 (60 kg)	9 239 285	9 239 286	1
500 (60 kg)	9 239 289	9 239 290	1
550 (60 kg)	9 239 295	9 239 296	1
500 (80 kg)	9 239 291	9 239 292	1
550 (80 kg)	9 239 297	9 239 298	1



#### Push to open Silent opening system for ArciTech

Item Description	Order no.	PU
PTO Silent System Set up to 10 Kg-40 Kg	9 241 050	1
PTO Silent System Set up to 20 Kg-80 Kg	9 241 051	1



#### Synchronisation Mechanism for 600 mm & above drawer carcase widths

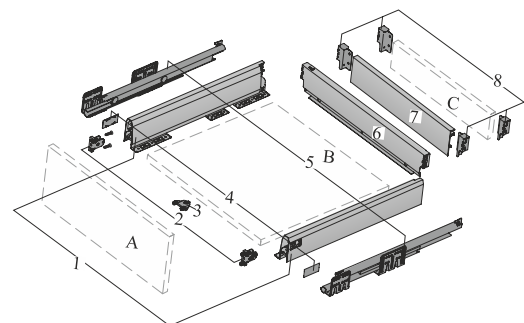
Item Description	Order no.	PU
Synchronisation Bar - 2000 mm	9 236 718	100
Mid Connector	9 221 295	20

### Set Comprises

- 1- Drawer side profile, left and right
- 2- Drawer front connector for side profile, 2 each
- 3- Front stabiliser, optional
- 4- Cover cap, 2 each
- 5- Actro drawer runner, left and right
- 6- Steel rear panel

#### Alternatively:

- 7- Aluminium rear panel or C Wooden rear panel and
  - 8- Rear panel connector for wooden rear panel, left and right
- A- Front  
B- Bottom panel (material 16 mm thick)  
C- Wooden rear panel (material 16 mm thick)



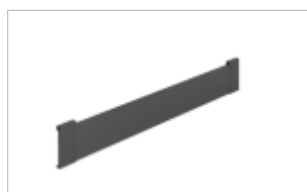
## Double-walled drawer system ArciTech

- ▶ Internal pot-and-pan drawer with DesignSide / TopSide, height 186 mm, drawer side profile height 94 mm
- ▶ Anthracite

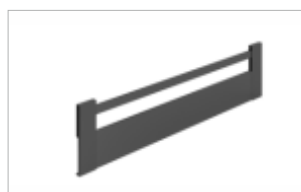
### ArciTech Internal drawer (94 mm & 186 mm)



### System Components



- Front panel:**
- ▶ For standard carcass width
  - ▶ With premounted connectors



- Front panel:**
- ▶ For standard carcass width
  - ▶ With premounted connectors and premounted railing

Carcass width mm	Order no.	PU
600 mm	9 140 089	1/15 ea.
900 mm	9 140 091	1/15 ea.

Carcass width mm	Order no.	PU
600 mm	9 140 107	1/15 ea.
900 mm	9 140 109	1/15 ea.

### ArciTech TopSide / DesignSide



- ▶ Pot-and-pan drawer with DesignSide / TopSide, height 186 mm, drawer side profile height 94 mm
- ▶ Stainless steel



- DesignSide**
- ▶ Clear Float glass with glued-on connectors
  - ▶ Material 8 mm thick



- TopSide:**
- ▶ 1 Topside, left & right
  - ▶ 2 front connectors for knocking in and for screwing on

Description	Order no.	PU
Design Side in glass 450 mm	9 122 987	1 set
DesignSide in glass 500 mm	9 122 988	1 set
Design Side in glass 550 mm	9 122 989	1 set
DesignSide adapters	9 122 974	1/15 set

Nominal length in mm	Order no.	PU
450	9 122 917	1 set
500	9 122 921	1 set
550	9 122 925	1 set

# Drawer system

► ArciTech

## Internal organisation system



### OrgaTray 440

- For general-purpose use
- Knife holder and/or spice rack can be added
- Plastic, anthracite

Width mm	Order no./ depth		PU
	370-440 mm	441- 520 mm	
401-450		9 194 997	1 set
451-500		9 194 998	1 set
501-600	9 194 986	9 194 999	1 set
601-700		9 195 000	1 set
701-800		9 195 001	1 set
801-900		9 195 002	1 set



### OrgaTray 600

- Variable in width, premounted
- For carcasses in widths of 500 mm and over, for drawer side profiles in heights of 94 mm and 126 mm, 2 can be fitted in carcasses in widths of 800 mm and over

Carcase width mm	Order no. (500 mm)	PU
450	9 184 554	1 set
500-1200	9 183 159	1 set



### OrgaTray 570 :

- Designed for standard carcase width
- For 94 mm side profile height
- For nominal length 500 mm
- Set includes variable dividers for organising tray in any way
- Plastic, anthracite

Carcase width mm	Order no. (500 mm)	PU
450	9 183 329	1 set
600	9 183 332	1 set
900	9 183 334	1 set



### OrgaStore 400

- For pot-and-pan drawer or internal pot-and-pan drawer with railing
- Crosswise railings and lengthwise dividers must be ordered separately
- It is recommended to fit an anti-slip mat

Article	Finish	Order no.	PU
Crosswise railing 2000 mm	White	9 182 712	1
Adapter	White	9 182 222	1
lengthwise divider	White	9 182 225	1



## CargoTech

► Wire basket collection



### CargoTech

The new range of wire baskets are manufactured at our Vadodara Plant which has international standards of stringent quality controls. Each process is devised to produce a world class quality product. Automatic plating plant is used to provide excellent plating finish, hence we achieve such quality that makes us the only company who provides 10 year replacement warranty against rusting.

Hettich product development team worked hard to provide universal solutions to the end user of wire basket. Cargotech can be installed in ready made size carcasses. There is no need to do any adjustments for correct installation. A dense mesh of steel wires provide sturdy structure, that makes CargoTech heaviest basket in the industry. Various types of well designed inlets for holding different products like Plates, Saucer, Cups, Cutlery, Bottles etc can be used in CargoTech.

# CargoTech

## ► Wire baskets

### Multi-purpose plain basket



100 mm height



150 mm height



200 mm height

- Plain CargoTech baskets are available in 100, 150, 200 mm heights
- Compatible with Quadro/KA runners
- 3-way fascia adjustment possible
- Available for weight carrying capacity from 30 to 50 kg
- Chrome Plating: 20 Micron thick
- Stable structure made by spot welding after chamfering of wire ends.
- Available Inlets:
  - Cutlery inlet/ Basket, Cup inlet, Saucer inlet, Cup & Saucer inlet, Thali inlet, Plate inlet, Separator inlet, Bottle separator inlet

For Carcass size* (mm)	Basket width (mm)
450	386
500	436
550	486
600	536
900	836

### CargoTech ordering information

CargoTech basket size (mm)	Carcass size (mm)		Order no.	PU
	Ext. width*	Clear depth		
386 x 500 x 100	450	525	9 156 381	6
386 x 500 x 150	450	525	9 156 383	4
386 x 500 x 200	450	525	9 156 384	3
436 x 500 x 100	500	525	9 156 385	6
436 x 500 x 150	500	525	9 156 386	4
436 x 500 x 200	500	525	9 156 387	3
486 x 500 x 100	550	525	9 159 547	6
486 x 500 x 150	550	525	9 159 548	4
486 x 500 x 200	550	525	9 159 549	3
536 x 500 x 100	600	525	9 156 388	6
536 x 500 x 150	600	525	9 156 389	4
536 x 500 x 200	600	525	9 156 390	3
836 x 500 x 100	900	525	9 156 391	6
836 x 500 x 150	900	525	9 156 392	4
836 x 500 x 200	900	525	9 156 393	3
386 x 550 x 100	450	575	9 156 394	6
386 x 550 x 150	450	575	9 156 395	4
386 x 550 x 200	450	575	9 156 396	3
436 x 550 x 100	500	575	9 156 398	6
436 x 550 x 150	500	575	9 156 399	4
436 x 550 x 200	500	575	9 156 400	3
486 x 550 x 100	550	575	9 159 550	6
486 x 550 x 150	550	575	9 159 551	4
486 x 550 x 200	550	575	9 159 552	3
536 x 550 x 100	600	575	9 156 401	6
536 x 550 x 150	600	575	9 156 402	4
536 x 550 x 200	600	575	9 156 403	3
836 x 550 x 100	900	575	9 156 404	6
836 x 550 x 150	900	575	9 156 405	4
836 x 550 x 200	900	575	9 156 406	3

\*For Carcass side thickness 18mm.

**Note:**  
Add Quadro / KA runners according to requirement



# CargoTech

## ► Inlets

### Inlets



#### Cutlery Inlet:

- To be used with 100 mm CargoTech basket
- Four end connectors fix inlet to basket on 2<sup>nd</sup> wire from the top
- Available widths- 100 mm & 144 mm, combination of these two fit in all baskets widths
- Recommended shutter height  $\geq$  140 mm

Size (mm)	Clear depth (mm)	Order no.	PU
100 x 468 x 50	500	9 190 416	1
144 x 468 x 50	500	9 190 417	1
100 x 518 x 50	550	9 190 418	1
144 x 518 x 50	550	9 190 419	1
100 x 568 x 50	600	9 206 949	1
144 x 568 x 50	600	9 206 950	1



#### Plastic Cutlery Tray:

- For general-purpose use
- Knife holder and/or spice rack can be added
- Plastic, silver

Carcase width mm	Order no.	PU
450	0 044 951	1
500	0 044 949	1
600	0 044 947	1
900	0 044 945	1



#### Cup Inlet:

- To be used with 150 mm CargoTech basket
- Four end connectors fix inlet to basket on 2<sup>nd</sup> wire from the top
- Recommended shutter height  $\geq$  200 mm
- Number of cups for basket depth:
  - 500 mm - 6 nos.
  - 550 mm - 7 nos.
  - 600 mm - 8 nos.

Size (mm)	Clear depth (mm)	Order no.	PU
131 x 468 x 45	500	9 156 346	1
131 x 518 x 45	550	9 156 415	1
131 x 568 x 45	600	9 206 917	1



#### Saucer Inlet:

- To be used with 150 mm CargoTech basket
- Four end connectors fix inlet to basket on 2<sup>nd</sup> wire from the top
- Recommended shutter height  $\geq$  200 mm
- Number of saucers for basket depth:
  - 500 mm - 17 nos.
  - 550 mm - 19 nos.
  - 600 mm - 21 nos.

Size (mm)	Clear depth (mm)	Order no.	PU
131 x 468 x 45	500	9 156 345	1
131 x 518 x 45	550	9 156 414	1
131 x 568 x 45	600	9 206 916	1



### Inlets



#### Cup & Saucer Combo Inlet:

- To be used with 150 mm CargoTech basket
- Four end connectors fix inlet to basket on 2<sup>nd</sup> wire from the top
- Recommended shutter height  $\geq 200$  mm
- Number of cups for basket depth:  
500 mm - 12 nos., 550 mm - 14 nos., 600 mm - 16 nos.
- Number of saucers for basket depth:  
500 mm - 16 nos., 550 mm - 18 nos., 600 mm - 20 nos.

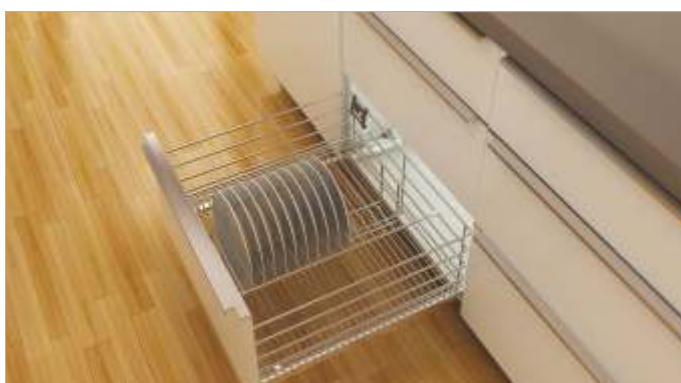
Size (mm)	Clear depth (mm)	Order no.	PU
300 x 468 x 110	500	9 156 344	1
300 x 518 x 110	550	9 156 413	1
300 x 568 x 110	600	9 206 915	1



#### Thali Inlet:

- To be used with 200 mm CargoTech basket
- Four end connectors fix inlet to basket on 2<sup>nd</sup> wire from the top
- Less clutter noise as thali touches inlet at two places
- Recommended shutter height  $\geq 360$  mm
- Number of thalis for basket depth:  
500 mm - 10 nos.  
550 mm - 11 nos.  
600 mm - 12 nos.

Size (mm)	Clear depth (mm)	Order no.	PU
362 x 468 x 131	500	9 156 342	1
362 x 518 x 131	550	9 156 411	1
362 x 568 x 131	600	9 206 913	1



#### Plate Inlet:

- To be used with 200 mm CargoTech basket
- Four end connectors fix inlet to basket on 2<sup>nd</sup> wire from the top
- Less clutter noise as plate touches inlet at two places
- Recommended shutter height  $\geq 360$  mm
- Number of plates for basket depth:  
500 mm - 17 nos.  
550 mm - 19 nos.  
600 mm - 21 nos.

Size (mm)	Clear depth (mm)	Order no.	PU
312 x 468 x 131	500	9 156 343	1
312 x 518 x 131	550	9 156 412	1
312 x 568 x 131	600	9 206 914	1



#### Separator Inlet:

- Can be fitted at any width to divide the basket along the whole depth
- Available for all three heights of 100, 150 & 200 mm
- Four end connectors fix inlet to basket on 2<sup>nd</sup> wire from the top

Size (mm)	Clear depth (mm)	Order no.	PU
74 x 468 x 100	500	9 156 408	5
124 x 468 x 150	500	9 156 409	5
174 x 468 x 200	500	9 156 410	5
74 x 518 x 100	550	9 156 417	5
124 x 518 x 150	550	9 156 419	5
174 x 518 x 200	550	9 156 420	5
74 x 568 x 100	600	9 206 951	5
124 x 568 x 150	600	9 206 952	5
174 x 568 x 200	600	9 206 953	5

# CargoTech

## ► Inlets & Accessories

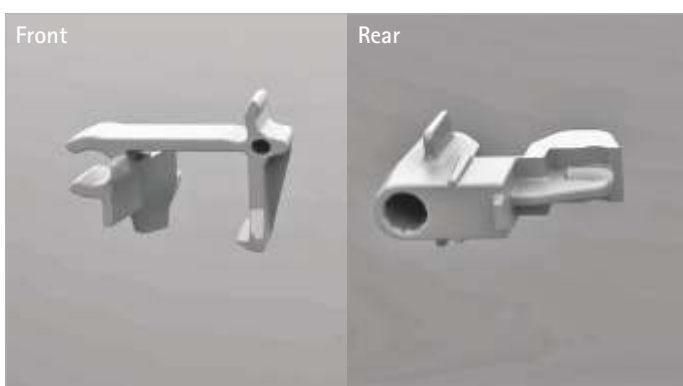
### Inlets



#### Bottle Separator Inlet:

- To be used with 150 / 200 mm CargoTech basket
- Four end connectors fix inlet to basket on 2<sup>nd</sup> wire from the top
- To separate bottle, use plastic separator as required
- Can be used to hold big size coffee mugs or glasses also
- Number of bottles for basket depth:
  - 500 mm - 5 nos., 550 mm - 6 nos., 600 mm - 7 nos.

Size (mm)	Clear depth (mm)	Order no.	PU
98 x 468 x 5.8	500	9 156 347	5
98 x 518 x 5.8	550	9 156 416	5
98 x 568 x 5.8	600	9 206 948	5



#### Quadro Clamp:

- Set comprises:
- 2 front clamp
  - 2 rear clamp

Description	Order no.	PU
CargoTech Quadro clamp	9 160 975	1 set



#### KA Telescopic clamp:

- To be used with CargoTech & CargoTech M baskets

- Set comprises:
- 4 pcs.

Description	Order no.	PU
KA Telescopic clamp	1 180 142	1 set



#### End Connector:

- To join any inlet to CargoTech, use end connector
- Standard component used for all type of inlets
- Very easy to remove & install



Description	Order no.	PU
End Connector for inlets	9 162 315	1 set

## CargoTech

### ► Under sink basket & Detergent holder

#### Under Sink Basket



- For utilizing optimum space under the sink, to store detergents / cleaners etc
- Combines convenience with unmatched running action, stability & strength
- Available for 900 mm cabinet width
- Compatible with KA telescopic runners only, thus load capacity up to 45 Kg
- Sturdy stainless steel wire basket structure
- Recommended shutter height  $\geq 360$  mm
- Front panel precise adjustment with fascia parts
- Finish: Chrome Plated
- Order KA telescopic runner & clamps separately

Description	Unit	Order no.	PU
For 900 mm	Pc	9 190 451	1

Size	900 mm		
	Width	Depth	Height
Under Sink Basket Dimension	836 mm	500 mm	200 mm
Internal Carcass Dimension	864 mm	565 mm	-

#### Detergent Holder



- Lightweight but sturdy structure, as made of thick wire
- Unique plastic bottom to avoid spillages and any damages to wire due to detergents / chemicals kept
- Material kept more stable as plastic bottom plain surface compared to wire mesh
- Bigger shelves to accommodate various bottle sizes
- Easy installation, with fixing at only three points
- Recommended shutter width 450 mm
- Finish: Chrome Plated
- 5 years warranty against rusting

Description	Unit	Order no.	PU
Detergent Holder Cargo Series	Pc	9 197 058	1



# CargoTech

## ► Dish Drainer Set

### Dish Drainer Set



- Combines convenience with unmatched stability & strength
- Sturdy stainless steel wire basket structure
- Available for two different cabinets width 600 mm & 900 mm
- Unique PVC collecting tray
- 600 mm can take 6 thali / 8 plates
- 900 mm can take 9 thali / 15 plates
- Can be mounted very easily
- Finish: Chrome Plated

Description	Unit	Order no.	PU
For 600 mm	Set	9 206 160	1
For 900 mm	Set	9 206 161	1

### Product details:



#### Set Comprises:

- Two draining racks for drying / storing of thali / plate / utensils / crockery, One Collecting Tray

Size (in mm)	600			900		
	Width	Depth	Height	Width	Depth	Height
Dish Drainer	555	262	123	855	262	123
Cutlery Drainer	555	262	103	855	262	103

Size (in mm)	600			900		
	Width	Depth	Height	Width	Depth	Height
Internal Carcass Dimension	564	294	614-664	864	294	614-664



#### Installation Stage 1:

- Mount side holder in C/c on both side of carcass accordingly
- Maintain minimum 120mm distance between bottom to 1st holder
- Maintain minimum 225mm distance between 1st holder to 2nd holder



#### Installation Stage 2:

- Mount Draining system in holders
- Insert collecting tray in Drainer hook

# CargoTech

- ▶ Pull out shelf, depth 250 mm

## Pull Out Shelf Cargo Series



- ▶ Functional and visually pleasing alternative to wooden shelves, in kitchen
- ▶ Compatible with Quadro & KA telescopic runners
- ▶ Available in three standard carcass widths- 600, 750 & 900 mm
- ▶ Height of moving shelf 41 mm
- ▶ Loading capacity 30-40 kg
- ▶ Finish: Chrome Plated
- ▶ 10 years replacement warranty against rusting

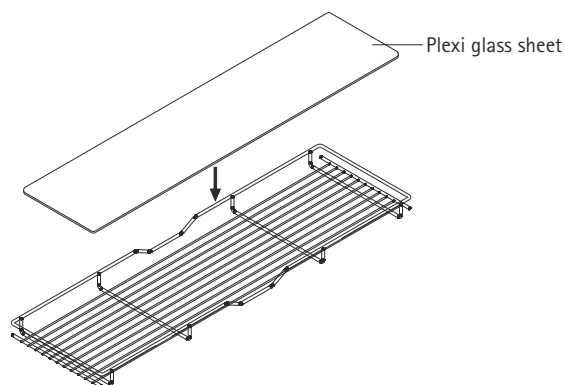
Description	Unit	Order no.	PU
W 536 mm x D 250 mm x H 41 mm	Set	9 209 343	1
W 686 mm x D 250 mm x H 41 mm	Set	9 210 437	1
W 836 mm x D 250 mm x H 41 mm	Set	9 209 346	1

### Product details:



For External carcass width (18 mm side panel thk.)	Pull Out Shelf width
600 mm	536 mm
750 mm	686 mm
900 mm	836 mm

PS: Kindly order desired runners separately.  
Optional Plexi glass sheet for bottom.



KA runner for see page no. 43 - 45  
Quadro runner for see page no. 52 - 58



# CargoTech

## ► Midway Series



### Jar Rack

- Can be used to keep jars of pickles etc, for easy access
- Plexi glass base for better holding of material
- Finish: Chrome Plated
- 10 year replacement warranty against rust
- Width 280 mm, Depth 155 mm, Height 260 mm

Finish	Order no.	PU
Chrome plated	9 217 143	1



### Multi Purpose Rack, 2-tier

- Can be used to keep small containers of spices etc
- Plexi glass base for better holding of material
- Finish: Chrome Plated
- 10 year replacement warranty against rust
- Width 185 mm, Depth 120 mm, Height 325 mm

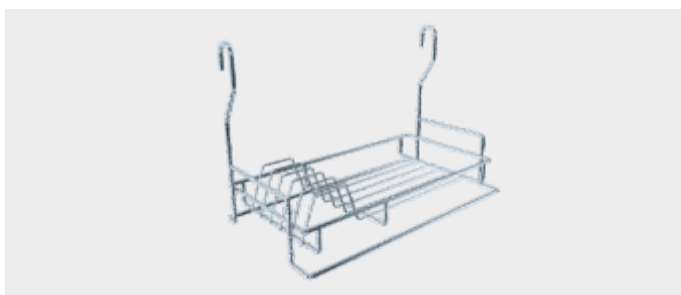
Finish	Order no.	PU
Chrome plated	9 217 145	1



### Oil Container Rack

- Can be used to keep oil, sauce bottles etc
- Plexi glass base for better holding of material
- Finish: Chrome Plated
- 10 year replacement warranty against rust
- Width 150 mm, Depth 150 mm, Height 325 mm

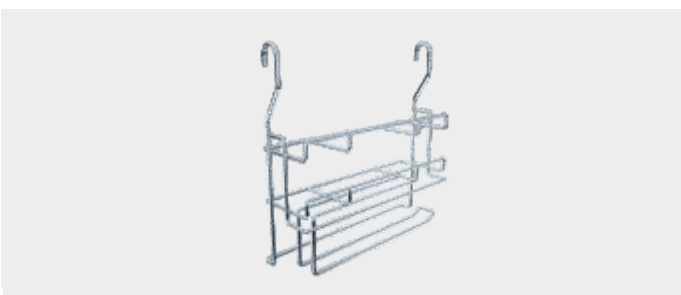
Finish	Order no.	PU
Chrome plated	9 217 148	1



### Saucer Rack

- Can take upto 6 saucers
- Finish: Chrome Plated
- 10 year replacement warranty against rust
- Width 385 mm, Depth 205 mm, Height 255 mm

Finish	Order no.	PU
Chrome plated	9 217 179	1



### Kitchen Roll Holder

- Can be used to hold kitchen roll, aluminium foil & wrapping roll
- Finish: Chrome Plated
- 10 year replacement warranty against rust
- Width 333 mm, Depth 100 mm, Height 325 mm

Length	Order no.	PU
Chrome plated	9 269 987	1

## CargoTech

► Accessories of European Origin



### Railing Set, 600 mm

Set comprises:

- 1 tube (ø16 mm, 600 mm long)
- 2 Wall brackets
- 2 end caps

Order no.	PU
9 267 133	1 set



### Railing Set, 900 mm

Set comprises:

- 1 tube (ø16 mm, 900 mm long)
- 2 Wall brackets
- 2 end caps

Order no.	PU
9 267 134	1 set



### Railing Set, 1200 mm

Set comprises:

- 1 tube (ø16 mm, 1200 mm long)
- 2 Wall brackets
- 2 end caps

Order no.	PU
9 267 135	1 set



Cargo Larder



- ▶ Larder with integrated silent system
- ▶ Top runner is on ball bearing, thus very stable
- ▶ 100,000 cycles tested
- ▶ 3D adjustable for fascia with the screws
- ▶ Eccentric screw to adjust the door height
- ▶ Baskets secured to the door with double clips
- ▶ Telescopic adjustable frame
- ▶ Powder coated frame grey

**Center upright**

- ▶ Complete with Silent System
- ▶ 300 mm height adjustable
- ▶ Suitable for cabinet widths 300, 400 & 450mm
- ▶ Minimum inside carcass depth 505 mm
- ▶ Pull out system with baskets / shelves must be ordered separately
- ▶ Powder-coated steel, silver

**Set Comprises:**

- ▶ Cargo Larder Mechanism (1 kit)
- ▶ Cargo Larder Frame (1 pc)
- ▶ Cargo Larder Basket Holders (1 set per layer)
- ▶ Cargo Larder Baskets (qty as per no. of layers)

(Each item as above to be ordered separately)

Full extension runner mechanism & basket



**Full extension runner**

- ▶ Full extension slides kit for Cargo Larder with soft closing and door bracket - 120 kg (6 layer) & 80 kg (5 layers) load capacity

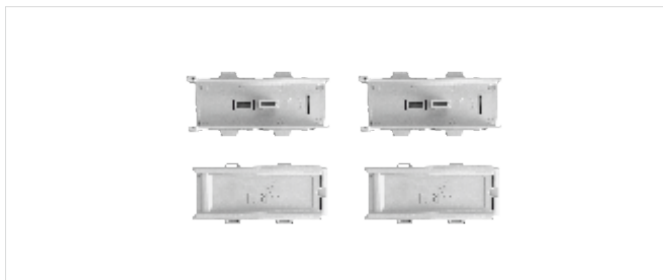
Carcass outer width (mm)	Order no. 80kg / 5 layers	PU	Order no. 120kg / 6 layers	PU
300	9 236 381	1 Kit	9 236 386	1 Kit
400	9 236 382	1 Kit	9 236 387	1 Kit
450	9 236 383	1 Kit	9 236 388	1 Kit



**Stainless steel baskets**

- ▶ For hook in assembly in the center upright
- ▶ With double railing
- ▶ Chrome-plated Stainless steel basket
- ▶ 10 years free replacement warranty against rusting

For width (mm)	W x D x H (mm)	Order no.	PU
300	230 x 435 x 115	9 235 981	1 Pc
400	330 x 435 x 115	9 235 982	1 Pc
450	380 x 435 x 115	9 235 983	1 Pc



**Basket Holders**

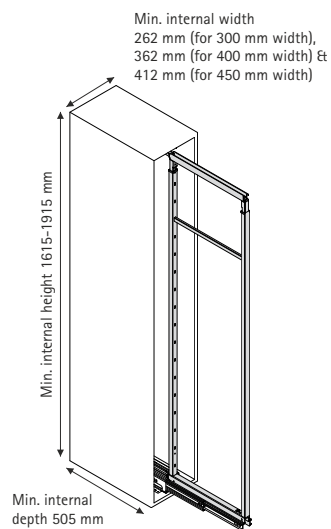
- ▶ For connecting baskets to the frame, one set required for each layer of basket

Basket Holders	Order no.	PU
Cargo Larder Basket Holders	9 236 391	1 Set

For Inside carcass height 1615 -1915 mm (for 5 layers)



- ▶ Minimum inside carcass depth 505 mm
- ▶ No. of baskets - 5
- ▶ Powder-coated steel, silver

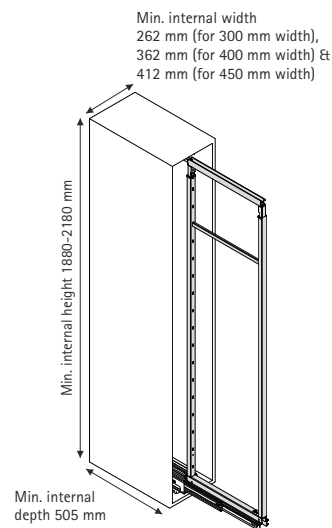


Min. inside carcass width (mm)	Carcass outer width (mm)	Order no.	PU
262	300	9 236 379	1 Pc
362	400	9 236 379	1 Pc
412	450	9 236 379	1 Pc

For Inside carcass height 1880 -2180 mm (for 6 layers)



- ▶ Minimum inside carcass depth 505 mm
- ▶ No. of baskets - 6
- ▶ Powder-coated steel, silver



Min. inside carcass width (mm)	Carcass outer width (mm)	Order no.	PU
262	300	9 236 380	1 Pc
362	400	9 236 380	1 Pc
412	450	9 236 380	1 Pc

**Note:**

**Ordering Example:** For 450 mm Carcass width & 1615-1915 mm height / 80 kg (5 layers), Order Full extension runner Article no. 9 236 383 (1 kit), Frame Article no. 9 236 379 (1 pc), Basket Article no. 9 235 983 (5 nos.), Basket Holders Article no. 9 236 391 (5 set).

### Cargo Duo



- ▶ Soft closing and soft opening system with nice & gentle move
- ▶ Swivelling Pull out equipped column mechanism (reversible) with 8 or 12 wire bottom baskets
- ▶ Pull out shelf is pulled outward when door is opened
- ▶ As weight of the frame is all down to the bottom cabinet, no sagging or influence of weight on hinges
- ▶ Door & pull out shelf ensure full use of enormous space available
- ▶ Can be used as left hand & right hand unit
- ▶ Can also be used for 2 door units (900 or 1200mm) without central panel
- ▶ Cabinet width 450 & 600mm
- ▶ Use 110° to 165° hinges, forestry access
- ▶ Load capacity 50 Kg
- ▶ Minimum internal carcass depth 500mm
- ▶ Powder coated frame grey

#### Set Comprises:

- ▶ Mechanism (which contains back frame, front frame & mechanism)
  - ▶ Cargo Duo Basket Set (Door & Cabinet basket) as per no. of layers
- (Each item as above to be ordered separately)

For outer cabinet width (mm)	For inside carcass width (mm)	Min. inside carcass height (mm)	Order no. for Mechanism	PU
450	410	1215 4-tier	9 236 364	1 Kit
450	410	1800 6-tier	9 236 366	1 Kit
600	560	1215 4-tier	9 236 365	1 Kit
600	560	1800 6-tier	9 236 367	1 Kit

### Stainless steel Pull out baskets & Door shelf baskets



#### Stainless steel pull out baskets

- ▶ For hook assembly in the pull-out frame
- ▶ Chrome-plated Stainless steel basket
- ▶ 10 years free replacement warranty against rusting



#### Stainless steel door shelf baskets

- ▶ For hook assembly in the door frame
- ▶ Chrome-plated Stainless steel basket
- ▶ 10 years free replacement warranty against rusting

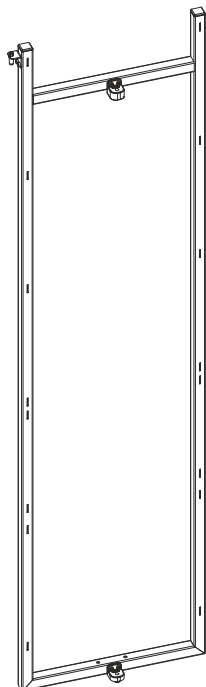
For width (mm)	Stainless steel pull out basket (W x D x H) mm	Stainless steel door shelf basket (W x D x H) mm	Order no.	PU
450	360 x 220 x 90	335 x 110 x 90	9 235 979	1 Set
600	510 x 220 x 90	485 x 110 x 90	9 235 980	1 Set

#### Note:

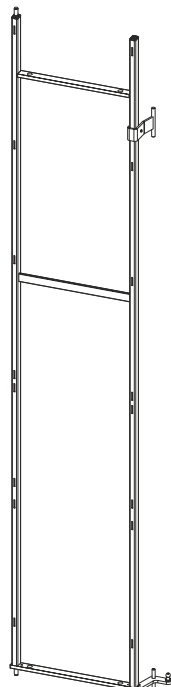
**Ordering Example:** For 450 mm Carcase width & 1800 mm height (6 layers),  
Order Mechanism Article no. 9 236 366 (1 set) & Basket / Shelf Article no. 9 235 979 (6 sets).



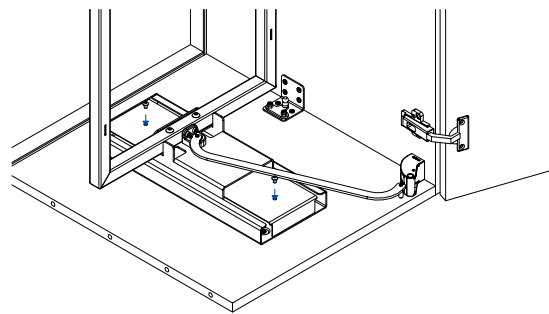
## Product details



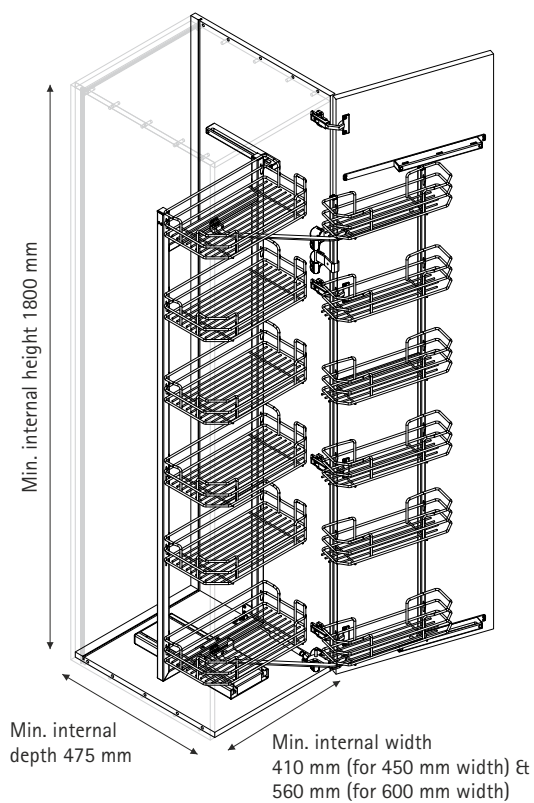
Back frame



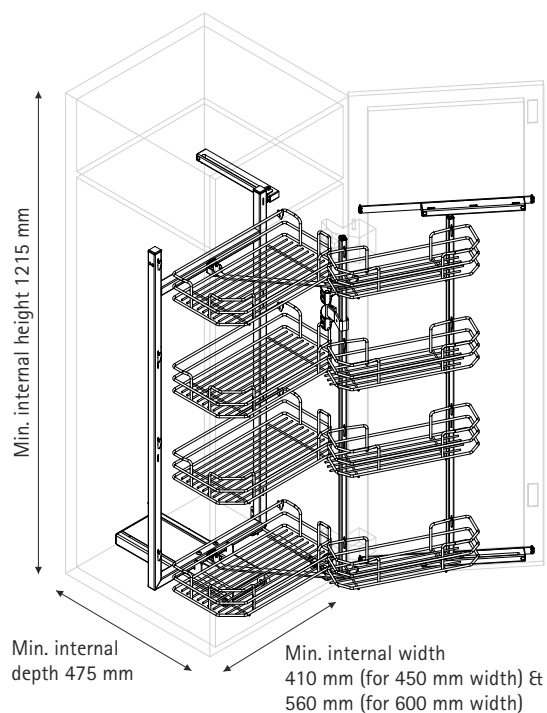
Front frame



Mechanism



Type- 6 tier



Type- 4 tier

# CargoTech

## ► Larder Unit

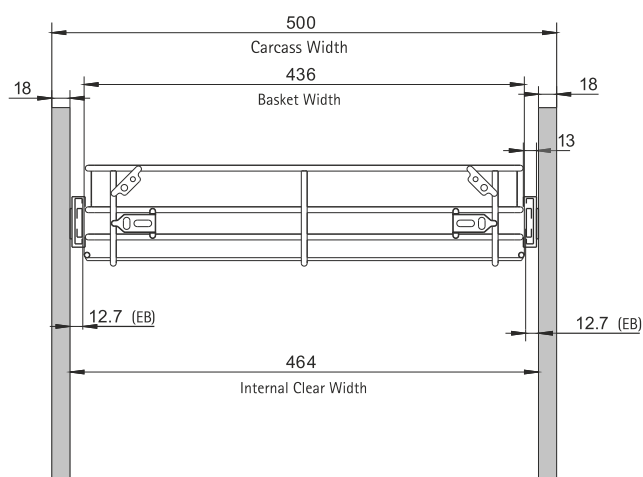
### Cargo 500



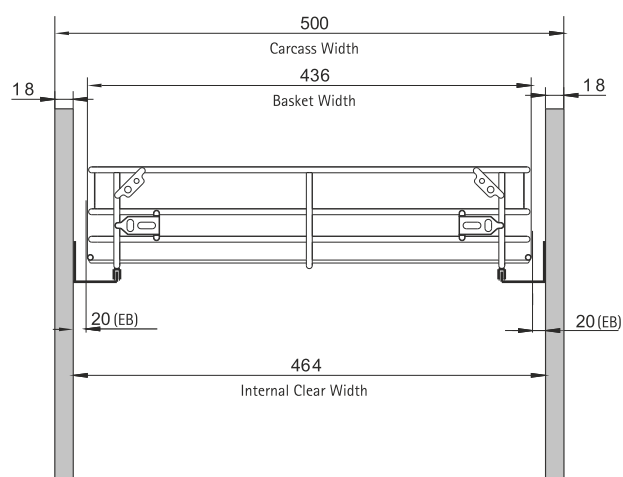
- Convenience of modular concept
- No need for any kind of metal frame
- Combines convenience with unmatched running action stability and strength
- Compatible with Quadro runners and KA telescopic runners
- Comfortably takes uniformly distributed weight of up to 250 kg
- Can be installed in any standard size drawer cabinet
- Customized for India for storage of thali, plates, cups & saucers
- Options to use in different heights with minimum 2 to maximum 6 CargoTechs
- Larger width unit can be made with openable shutter
- 10 years warranty against rusting

### CargoTech Installation guidelines

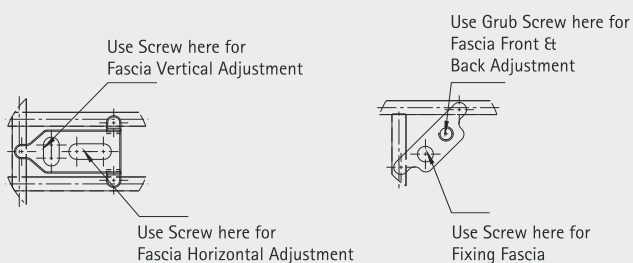
Installation with Telescopic Runner



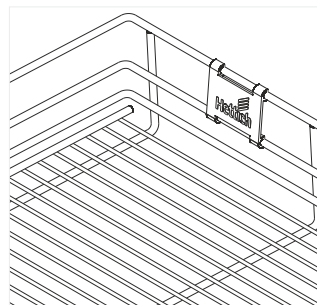
Installation with Quadro Runner



#### Fascia fixing & adjustment



\*For angular adjustment remove fixing screw & use other 3 screws.



# CargoPlus

## CargoPlus Plain



- ▶ Thick wire mesh for better load capacity
- ▶ Chrome plated wire mesh prevents rusting
- ▶ Available in three different sizes for external carcass widths of 450 mm, 600 mm & 900 mm
- ▶ Compatible with InnoTech & Atira drawer systems, which need to be ordered separately
- ▶ Recommended for use with metal back panel, as it is more stable
- ▶ Easy assembly & fast installation
- ▶ Cost effective solution for kitchen drawer
- ▶ Multiple combinations of Plate / Cup & Saucer / Thali, as per Indian needs
- ▶ Finish: Chrome Plated
- ▶ 10 years warranty against rusting



Size (mm)	Depth (mm)	Order no.	PU
450	470	9 216 602	4
600	470	9 216 603	4
900	470	9 216 604	4
450	520	9 216 605	4
600	520	9 216 606	4
900	520	9 216 607	4

## OrgaTray 440



- ▶ For general-purpose use
- ▶ Knife holder and/or spice rack can be added
- ▶ Recommended shutter height  $\geq$  140 mm
- ▶ Surface finish: Silver



Size (mm)	Order no.	PU
450	9 194 934	1
500	9 194 935	1
550	9 194 936	1
600	9 194 937	1
900	9 194 940	1

# CargoPlus

## CargoPlus Cup & Saucer



- ▶ Can take upto 10 regular sized saucers for 450 mm carcass width & 16 regular sized saucers for 600 mm carcass width
- ▶ Recommended shutter height  $\geq 200$  mm
- ▶ Order InnoTech separately
- ▶ Only for Quadro EB 9.5



Size (mm)	Depth (mm)	Order no.	PU
450	470	9 216 610	6
600	470	9 216 616	6
450	520	9 216 613	6
600	520	9 216 619	6

## CargoPlus Plate



- ▶ Can take upto 10 regular sized plates for 450 mm carcass width & 16 regular sized plates for 600 mm carcass width
- ▶ Less clutter noise as plate touches inlet at two places
- ▶ Recommended shutter height  $\geq 360$  mm
- ▶ Order InnoTech separately
- ▶ Only for Quadro EB 9.5



Size (mm)	Depth (mm)	Order no.	PU
450	470	9 216 609	4
600	470	9 216 615	4
450	520	9 216 612	4
600	520	9 216 618	4

# CargoPlus

## CargoPlus Thali



- ▶ Can take upto 6 regular sized thalis for 450 mm carcass width & 8 regular sized thalis for 600 mm carcass width
- ▶ Less clutter noise as thali touches inlet at two places
- ▶ Recommended shutter height  $\geq$  360 mm
- ▶ Order InnoTech separately
- ▶ Only for Quadro EB 9.5



Size (mm)	Depth (mm)	Order no.	PU
450	470	9 216 608	3
600	470	9 216 614	3
450	520	9 216 611	3
600	520	9 216 617	3

## CargoPlus Thali & Plate



- ▶ Can take upto 16 regular sized plates
- ▶ Can take upto 7 regular sized thalis
- ▶ Less clutter noise as plate touches inlet at two places
- ▶ Recommended shutter height  $\geq$  360 mm
- ▶ Order InnoTech separately
- ▶ Only for Quadro EB 9.5



Size (mm)	Depth (mm)	Order no.	PU
900	470	9 216 620	3
900	520	9 216 621	3



# CargoPlus

## ► Accessories

### Accessories



Clamp



Side Holder

#### Clamp:

► Set of 4 pcs to be used to mount CargoPlus

Order no.	PU
9 220 250	1 pc

#### Side Holder:

► Set of 2 pcs to be used to mount CargoPlus

Depth mm	Order no.	PU
470	9 220 552	2 pc
520	9 220 553	2 pc

### Components



1) CargoPlus Plain



2) Clips- 4 pcs



3) Plastic holder- 2 pcs

### Installation Stages



Stage-1

Assemble InnoTech with back panel



Stage-2

Place plastic holder in InnoTech bottom panel slot



Stage-3

Fix plastic holder with screws from bottom slot



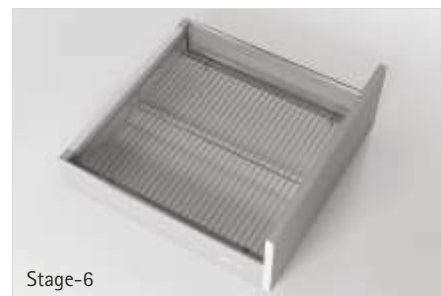
Stage-4

Place CargoPlus on plastic holder groove



Stage-5

Slide clips to fix CagoPlus to plastic holders



Stage-6

Fix clips on all four corners as shown in picture

# CargoTech M

## ► Wire baskets

### Multi-purpose Plain Basket



100 mm height

- Plain CargoTech baskets are available in 100, 150, 200 mm heights
- Compatible with KA runners
- 3-way fascia adjustment possible
- Load capacity 30 - 50 kg
- Chrome Plating: 20 Micron thick
- Stable structure made by spot welding after chamfering of wire ends.
- Available Inlets:
  - Cutlery Basket, Cup & Saucer Basket, Cup & Saucer/Jar Basket, Thali Basket, Thali/Jar Basket, Thali/Jar/Plate Basket.

For Carcass size* (mm)	Basket width (mm)
450	386
500	436
550	486
600	536
900	836



150 mm height

### CargoTech ordering information

CargoTech basket size (mm)	Carcass size (mm)		Order no.	PU
	Ext. width*	Clear depth		
386 x 500 x 100	450	525	9 190 382	6
386 x 500 x 150	450	525	9 190 383	4
386 x 500 x 200	450	525	9 190 384	3
436 x 500 x 100	500	525	9 190 385	6
436 x 500 x 150	500	525	9 190 386	4
436 x 500 x 200	500	525	9 190 387	3
486 x 500 x 100	550	525	9 190 388	6
486 x 500 x 150	550	525	9 190 389	4
486 x 500 x 200	550	525	9 190 390	3
536 x 500 x 100	600	525	9 190 401	6
536 x 500 x 150	600	525	9 190 402	4
536 x 500 x 200	600	525	9 190 403	3
836 x 500 x 100	900	525	9 190 404	6
836 x 500 x 150	900	525	9 190 405	4
836 x 500 x 200	900	525	9 190 406	3
386 x 550 x 100	450	575	9 206 742	6
386 x 550 x 150	450	575	9 206 743	4
386 x 550 x 200	450	575	9 206 744	3
436 x 550 x 100	500	575	9 206 745	6
436 x 550 x 150	500	575	9 206 746	4
436 x 550 x 200	500	575	9 206 747	3
486 x 550 x 100	550	575	9 206 778	6
486 x 550 x 150	550	575	9 206 779	4
486 x 550 x 200	550	575	9 206 780	3
536 x 550 x 100	600	575	9 206 982	6
536 x 550 x 150	600	575	9 206 985	4
536 x 550 x 200	600	575	9 206 987	3
836 x 550 x 100	900	575	9 206 988	6
836 x 550 x 150	900	575	9 206 990	4
836 x 550 x 200	900	575	9 206 991	3



200 mm height

Compatible with KA runners only.

## CargoTech M

► Wire Baskets: 386 mm

### Cutlery Inlet



- Variable in width
- For nominal lengths of 500 mm
- White plastic
- Order CargoTech M basket separately

Size Cutlery inlet (mm)	Clear depth (mm)	Order no.	PU
350 - 390	500	0 044 921	1

### Cup & Saucer wire basket



- Convenient way of keeping cup & saucers
- Recommended shutter height  $\geq 180$  mm
- Number of saucers for basket depth:
  - 500 mm - 18 nos.
  - 550 mm - 20 nos.
  - 600 mm - 22 nos.

Size (mm)	Clear depth (mm)	Order no.	PU
386 x 500 x 100	500	9 194 314	6
386 x 550 x 100	550	9 206 840	6
386 x 600 x 100	600	9 206 846	6

### Thali wire basket



- Convenient way of keeping thali
- Recommended shutter height  $\geq 360$  mm
- Number of thalis for basket depth:
  - 500 mm - 11 nos.
  - 550 mm - 12 nos.
  - 600 mm - 13 nos.

Size (mm)	Clear depth (mm)	Order no.	PU
386 x 500 x 200	500	9 194 315	3
386 x 550 x 200	550	9 206 841	3
386 x 600 x 200	600	9 206 908	3

## CargoTech M

- ▶ Wire Baskets: 436 mm

### Cutlery Inlet



- ▶ Variable in width
- ▶ For nominal lengths of 500 mm
- ▶ White plastic
- ▶ Order CargoTech M basket separately

Size Cutlery inlet (mm)	Clear depth (mm)	Order no.	PU
400 - 440	500	0 044 919	1

### Cup & Saucer wire basket



- ▶ Convenient way of keeping cup & saucers
- ▶ Recommended shutter height  $\geq 180$  mm
- ▶ Number of saucers for basket depth:
  - 500 mm - 18 nos.
  - 550 mm - 20 nos.
  - 600 mm - 22 nos.

Size (mm)	Clear depth (mm)	Order no.	PU
436 x 500 x 100	500	9 194 316	6
436 x 550 x 100	550	9 206 842	6
436 x 600 x 100	600	9 206 909	6

### Thali wire basket



- ▶ Convenient way of keeping thali & jars
- ▶ Recommended shutter height  $\geq 360$  mm
- ▶ Number of thalis for basket depth:
  - 500 mm - 11 nos.
  - 550 mm - 12 nos.
  - 600 mm - 13 nos.

Size (mm)	Clear depth (mm)	Order no.	PU
436 x 500 x 200	500	9 194 317	3
436 x 550 x 200	550	9 206 843	3
436 x 600 x 200	600	9 206 910	3



## CargoTech M

► Wire Baskets: 486 mm

### Cutlery Inlet



- For general-purpose use
- Plastic silver
- Order CargoTech M basket separately

Size Cutlery inlet (mm)	Clear depth (mm)	Order no.	PU
451-500	500	0 044 948	1

### Cup & Saucer / Jar wire basket



- Convenient way of keeping cup & saucers
- Recommended shutter height  $\geq 180$  mm
- Number of saucers for basket depth:
  - 500 mm - 18 nos.
  - 550 mm - 20 nos.
  - 600 mm - 22 nos.

Size (mm)	Clear depth (mm)	Order no.	PU
486 x 500 x 100	500	9 194 318	6
486 x 550 x 100	550	9 206 844	6
486 x 600 x 100	600	9 206 911	6

### Thali / Jar wire basket



- Convenient way of keeping thali & jars
- Recommended shutter height  $\geq 360$  mm
- Number of thalis for basket depth:
  - 500 mm - 11 nos.
  - 550 mm - 12 nos.
  - 600 mm - 13 nos.

Size (mm)	Clear depth (mm)	Order no.	PU
486 x 500 x 200	500	9 194 319	3
486 x 550 x 200	550	9 206 845	3
486 x 600 x 200	600	9 206 912	3



## CargoTech M

- ▶ Wire Baskets: 536 mm

### Cutlery Inlet



- ▶ Variable in width
- ▶ For nominal lengths of 500 mm
- ▶ White plastic
- ▶ Order CargoTech M basket separately

Size Cutlery inlet (mm)	Clear depth (mm)	Order no.	PU
500 - 540	500	0 044 918	1

### Cup & Saucer / Jar wire basket



- ▶ Convenient way of keeping cup & saucers / jars
- ▶ Recommended shutter height  $\geq 180$  mm
- ▶ Number of saucers for basket depth:
  - 500 mm - 18 nos.
  - 550 mm - 20 nos.
  - 600 mm - 22 nos.

Size (mm)	Clear depth (mm)	Order no.	PU
536 x 500 x 100	500	9 194 320	6
536 x 550 x 100	550	9 207 004	6
536 x 600 x 100	600	9 207 011	6

### Thali / Jar wire basket



- ▶ Convenient way of keeping thali & jars
- ▶ Recommended shutter height  $\geq 360$  mm
- ▶ Number of thalis for basket depth:
  - 500 mm - 11 nos.
  - 550 mm - 12 nos.
  - 600 mm - 13 nos.

Size (mm)	Clear depth (mm)	Order no.	PU
536 x 500 x 200	500	9 194 321	3
536 x 550 x 200	550	9 207 007	3
536 x 600 x 200	600	9 207 012	3

## CargoTech M

- ▶ Wire Baskets: 836 mm

### Cutlery Inlet



- ▶ For general-purpose use
- ▶ Plastic silver
- ▶ Order CargoTech M basket separately

Size Cutlery inlet (mm)	Clear depth (mm)	Order no.	PU
801-850	500	0 044 945	1

### Cup & Saucer / Jar / Thali wire basket



- ▶ Convenient way of keeping thali, plate & jars
- ▶ Recommended shutter height  $\geq 360$  mm
- ▶ Number of thalis for basket depth:
  - 500 mm - 11 nos.
  - 550 mm - 12 nos.
  - 600 mm - 13 nos.
- ▶ Number of plates for basket depth:
  - 500 mm - 18 nos.
  - 550 mm - 20 nos.
  - 600 mm - 22 nos.

Size (mm)	Clear depth (mm)	Order no.	PU
836 x 500 x 200	500	9 194 322	3
836 x 550 x 200	550	9 207 010	3
836 x 600 x 200	600	9 207 013	3

### Larder Unit



- ▶ Convenience of modular concept
- ▶ No need for any kind of metal frame
- ▶ Combines convenience with unmatched running action stability and strength
- ▶ Compatible KA telescopic runners
- ▶ Comfortably takes uniformly distributed weight of up to 250 kg
- ▶ Can be installed in any standard size drawer cabinet
- ▶ Options to use in different heights with minimum 2 to maximum 6 CargoTech M baskets
- ▶ Larger width unit can be made with openable shutter
- ▶ 10 years replacement warranty against rusting

#### Load capacity:

CargoTech M qty.used	With KA runners
2	80 kg
3	125 kg
4	170 kg
5	215 kg
6	250 kg

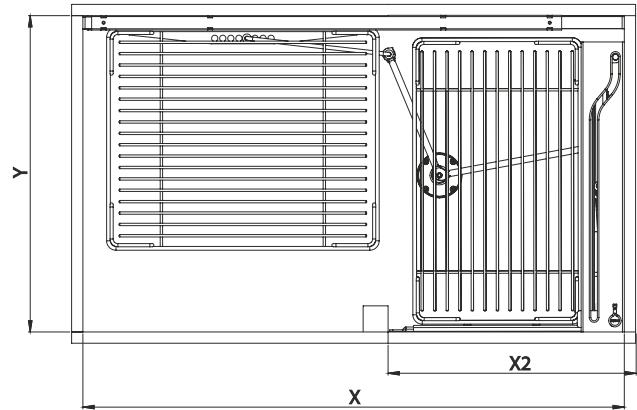
## Base unit interior fittings

### ► Corner unit pull-out system

#### Moving Corner



- Optimum use of space for corner cabinets 900 and 1000 mm wide
- Integrated silent System soft closure
- Finish : Chrome Plated



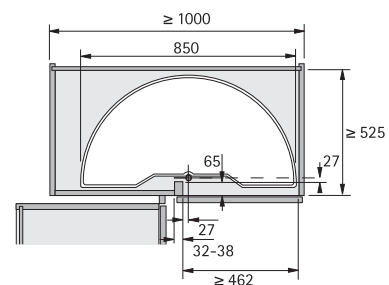
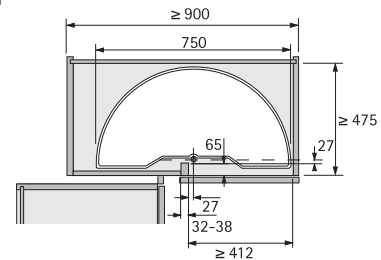
> <	X	X2	Y
900	810-1100	450-500	470
For inside carcass width (mm)			505

Description	Order no.	PU
Moving corner cargo series left	9 221 244	1
Moving corner cargo series right	9 221 243	1
Basket (Set of 4 Pcs.)	9 221 242	1

#### Carousel with semi circular revolving shelves



- For corner base units, carcass dimensions 900 mm or 1000 mm  
Installation height 730 mm
- Pivot arm can be cut to length individually
- Bearings are secured to the corner post
- Arena STYLE/CLASSIC semi-circular carousel shelves: melamine coated white wooden shelves with non-slip special coating
- Railing: steel



Description	Order no.	PU
Carousel D-1/2 for Ø750 Arena Classic	0 070 549	1
Carousel D-1/2 for Ø850 Arena Classic	0 070 550	1

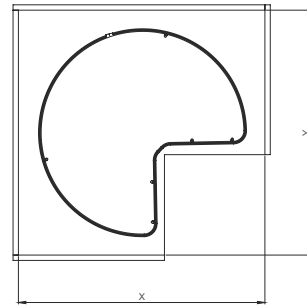
## Base unit interior fittings

### ► Corner unit pull-out system

#### Cargo Carousel



- Perfect corner solution, for carcass dimension 900 X 900mm
- Very stable as installed on a wooden self and easy to fit
- Three-quarter circle revolving shelves: melamine coated white wooden shelves with anti-slip
- Each shelf independent, with options to have odd or even numbers of layers
- 200kg load capacity rotating plate
- No bars that interfere so end user can store more and reach better
- 2 Flat bars for more stability and no possibility that goods fall out
- Railing: Chrome Finish



> ◻ <	X	Y	Z
900 x 900	862	862	110

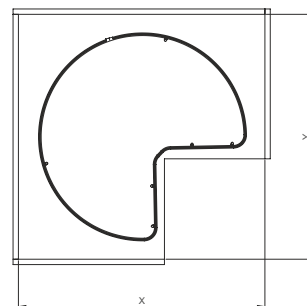
Z = Minimum internal cabinet height for one layer

Description	Order no.	PU
Cargo Carousel 3/4- 900 mm	9 219 462	1

#### Cargo Carousel M



- Perfect corner solution, for carcass dimension 900 X 900mm
- Very stable as installed on a wooden self and easy to fit
- Three-quarter circle revolving shelves: melamine coated white wooden shelves with anti-slip
- Each shelf independent, with options to have odd or even numbers of layers
- 200kg load capacity rotating plate
- No bars that interfere so end user can store more and reach better
- Railing: Chrome Finish



> ◻ <	X	Y	Z
900 x 900	862	862	110

Z = Minimum internal cabinet height for one layer

Description	Order no.	PU
Cargo Carousel M 3/4- 900 mm	9 219 465	1



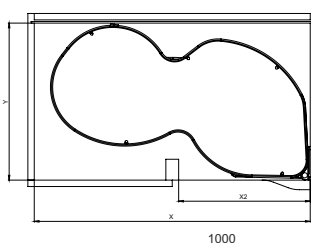
## Base unit interior fittings

### ▶ Corner unit pull-out system

#### CargoMan Soft Close



- ▶ Soft close mechanism
- ▶ Extremely easy to fit
- ▶ Very stable
- ▶ 20 Kg load capacity
- ▶ 100,000 cycles pull out certified
- ▶ Each shelf independent, with option to have odd or even numbers of layers
- ▶ Double high railing to better hold goods in each shelf
- ▶ No need for precise measurements, as drilling template & Jigs are included



CargoMan

▶◀	X	X2	Y	Z
900	862	450	490	150
1000	962	500	490	150
1000	962	600	490	150

CargoMan M

▶◀	X	X2	Y	Z
900	862	450	490	150
1000	962	500	490	150

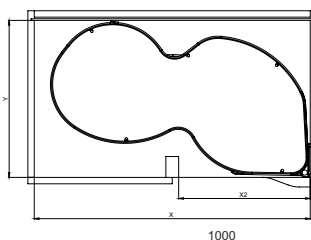
Z = Minimum internal cabinet height for one layer

Description	Order no.	PU
450 LH (Double layer)	9 218 025	1
450 RH (Double layer)	9 218 026	1
500 LH (Double layer)	9 218 027	1
500 RH (Double layer)	9 218 028	1

#### CargoMan M



- ▶ Extremely easy to fit
- ▶ Very stable
- ▶ 20 Kg load capacity
- ▶ 100,000 cycles pull out certified
- ▶ Each shelf independent, with option to have odd or even numbers of layers
- ▶ No need for precise measurements, as drilling template & Jigs are included



CargoMan

▶◀	X	X2	Y	Z
900	862	450	490	150
1000	962	500	490	150
1000	962	600	490	150

CargoMan M

▶◀	X	X2	Y	Z
900	862	450	490	150
1000	962	500	490	150

Z = Minimum internal cabinet height for one layer

Description	Order no.	PU
450 LH (Double layer)	9 218 021	1
450 RH (Double layer)	9 218 022	1
500 LH (Double layer)	9 218 023	1
500 RH (Double layer)	9 218 024	1



# Base unit interior fittings

## CargoMan (Regular)



- ▶ Pull-out shelves for corner cabinet
- ▶ The shelves can be swivelled out individually and completely
- ▶ Load capacity 20 kg / shelf
- ▶ Minimum inside carcass depth 490 mm
- ▶ With fast assembly system
- ▶ Two melaminated bottom shelves with non-slip surface and chrome-plated rail
- ▶ Can be used in odd or even numbers, as flexibility to use single units
- ▶ No extra attachment required to install
- ▶ Installation very simple on the bottom of the cabinet
- ▶ Right and left version

CargoMan				
▶◀	X	X2	Y	Z
900	862	450	490	150
1000	962	500	490	150
1000	962	600	490	150

CargoMan M				
▶◀	X	X2	Y	Z
900	862	450	490	150
1000	962	500	490	150

Z = Minimum internal cabinet height for one layer

Description	Order no.	PU
450 LH (Double layer)	9 161 971	1
450 RH (Double layer)	9 161 972	1
500 LH (Double layer)	9 161 973	1
500 RH (Double layer)	9 161 974	1

## Cargo IQ 200



- ▶ Convenience of modular concept
- ▶ Sturdy stainless steel wire basket structure
- ▶ Combines convenience with unmatched running action stability and strength
- ▶ Available for three different cabinet widths
- ▶ Loading capacity 22.5-30 kg with KA telescopic & 15-20 kg with Quadro runner
- ▶ Can be mounted to the right, left or diagonally (200 & 300 only)
- ▶ Front panel precise adjustment with fascia parts
- ▶ Finish: Chrome plated
- ▶ Compatible with 450 mm Quadro & 500 mm KA telescopic runner only
- ▶ Order runner & clamps accordingly
- ▶ Quadro runner see page 52-58
- ▶ KA runner for KA page no: 43-45
- ▶ For clamps see page: 89

External carcass width	150 mm	200 mm	300 mm
Weight capacity (with KA)	22.5 kg	26.25 kg	30 kg
Weight capacity (with Quadro)	15 kg	17.5 kg	20 kg
Internal carcass size	W:112 mm	W:162 mm	W:262 mm
	D: 495 mm	D: 495 mm	D: 495 mm
	H: 590 mm	H: 590 mm	H: 590 mm

Description	Order no.	PU
Cargo IQ 200 for carcass size- 150 mm	9 161 045	1
Cargo IQ 200 for carcass size- 200 mm	9 161 046	1
Cargo IQ 200 for carcass size- 300 mm	9 161 047	1

## Base unit interior fittings

### Cargo IQ 300



- ▶ Unique sleek solid looking stainless steel wire basket structure, with convenience of modular concept
- ▶ Both layers with plastic bottom makes it visually appealing and sturdy
- ▶ Combines convenience with unmatched running action, stability & strength
- ▶ Available for three different cabinet widths
- ▶ Loading capacity 22.5 to 30 kg with KA telescopic runner
- ▶ Can be mounted to the right, left or diagonally (200 & 300 only)
- ▶ Front panel precise adjustment with fascia parts
- ▶ Finish : Chrome Plated
- ▶ Compatible with 500 mm KA telescopic runner only
- ▶ Order telescopic runner & clamps separately
- ▶ KA runner for KA page no: 43-45
- ▶ For clamps see page: 89

Size	150 mm	200 mm	240 mm	300 mm
Weight capacity	22.5 kg	26.25 kg	30 kg	30 kg
Internal carcass dimension	W:112 mm D: 515 mm H: 590 mm	W:162 mm D: 515 mm H: 590 mm	W: 204 mm D: 515 mm H: 590 mm	W:262 mm D: 515 mm H: 590 mm

Description	Order no.	PU
Cargo IQ 300 for carcass size- 150 mm	9 191 703	1
Cargo IQ 300 for carcass size- 200 mm	9 191 708	1
Cargo IQ 300 for carcass size- 240 mm	9 247 908	1
Cargo IQ 300 for carcass size- 300 mm	9 191 711	1

### Spice pull out- 3 tier



- ▶ Unique sleek solid looking stainless steel wire basket structure, with convenience of modular concept
- ▶ Lowest shelf can accommodate bottles also
- ▶ Combines convenience with unmatched running action, stability & strength
- ▶ All layers with plastic bottom makes it visually appealing and sturdy
- ▶ Available for three different cabinet widths
- ▶ Loading capacity 22.5 to 30 kg with KA telescopic runner
- ▶ Can be mounted to the right, left or diagonally (200 & 300 only)
- ▶ Front panel precise adjustment with fascia parts
- ▶ Finish : Chrome Plated
- ▶ Compatible with 500 mm KA telescopic runner only
- ▶ Order telescopic runner & clamps separately
- ▶ KA runner for KA page no: 43-45
- ▶ For clamps see page: 89

Size	150 mm	200 mm	300 mm
Weight capacity (with KA)	22.5 kg	26.25 kg	30 kg
Internal carcass dimension	W:112 mm D: 515 mm H: 675 mm	W:162 mm D: 515 mm H: 675 mm	W:262 mm D: 515 mm H: 675 mm

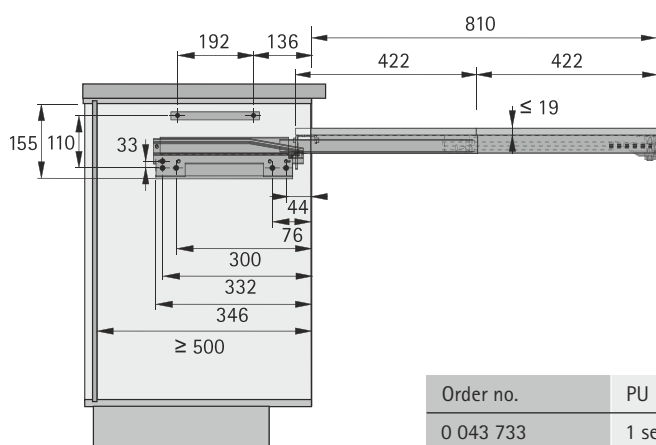
Description	Order no.	PU
Spice pull out for carcass size- 150 mm	9 210 439	1
Spice pull out for carcass size- 200 mm	9 210 441	1
Spice pull out for carcass size- 300 mm	9 210 442	1

# Base unit interior fittings

## WorkTop extension



- ▶ Quickly and conveniently creates additional working space, as required
- ▶ Compactly hidden out of view behind a drawer front panel
- ▶ For automatically lowered drawer front
- ▶ When fully extended, the two worktop halves and the lowered drawer front form a level work surface
- ▶ Particularly smooth movement
- ▶ Infinitely variable in width for carcass widths of 450 - 900 mm
- ▶ Loading capacity 30 kg
- ▶ Powder-coated steel, silver



Order no.	PU
0 043 733	1 set

## Parallel swivel mechanism for food slicer



- ▶ Particularly easy swivel movement due to spring action
- ▶ The worktop automatically locks in the extended position
- ▶ Handles with finger grip recesses ensure safe handling
- ▶ Installed width can be infinitely adjusted between 410 and 570 mm
- ▶ Galvanised and powder coated steel, white
- ▶ Loading capacity 7.5 kg

Set comprises:

- ▶ Complete fitting

Description	Order no.	PU
2 Springs (Inside cabinet width 410-570 mm)	0 049 144	1 pc



Spice containers:

- ▶ Stainless steel

Description	Order no.	PU
Salt-cellar	0 080 852	1
Pepper-pot	0 080 853	1
Duster	0 080 854	1
Coarse duster	0 080 855	1
Fine duster	0 080 856	1
With acrylic lid	0 080 857	1

## Base unit interior fittings

### Cleaning utensil pull-out



- ▶ Complete with full extension ball bearing runner
- ▶ Suitable for use on left or right
- ▶ Steel, chrome plated

Description	Order no.	PU
Pull-out basket (1 x 96) + (1 x 185) width	0 073 549 00	1 set

### Shutter mounted dustbin



#### Round bin holder 200 series:

- ▶ Light weight but sturdy structure, as made of thick wire
- ▶ Easy installation, with fixing at only two points
- ▶ Disposable bags can be hung inside the frame directly
- ▶ Recommended shutter width 450 mm
- ▶ Finish: Chrome Plated

Order no.	PU
9 210 444 00	1 pc



#### Round bin holder 100 series:

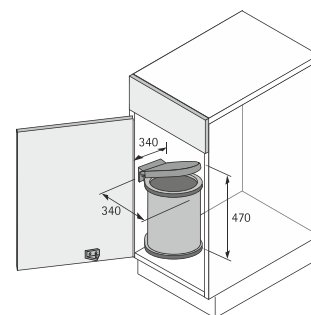
- ▶ Light weight but sturdy structure, as made of thick wire
- ▶ Easy installation, with fixing at only two points
- ▶ Recommended shutter width 450 mm
- ▶ Finish: Chrome Plated

Order no.	PU
9 210 443 00	1 pc



#### Bin.it Classic:

- ▶ For minimum cabinet width 400 mm
- ▶ Capacity 13 litres
- ▶ Can be fitted on the left or right
- ▶ Insert: plastic



Description	W x d x h (mm)	Order no.	PU
Body Stainless steel with Black plastic Bin, 13 litres capacity (Min. cabinet width 400 mm)	340 x 270 x 350	09 154 601	1 set



# Base unit interior fittings

## Square Bin Holder



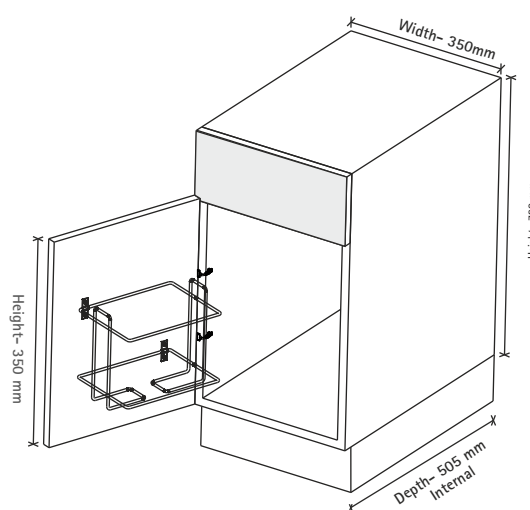
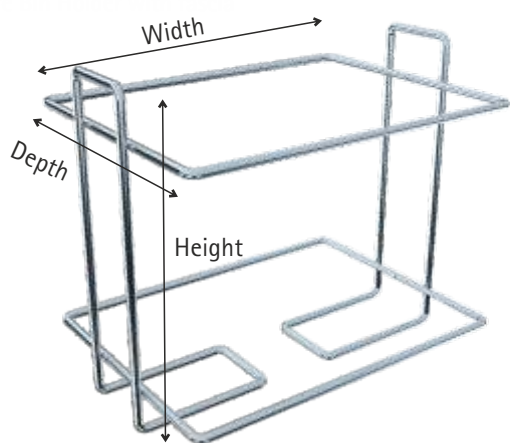
- ▶ Light weight but sturdy structure, as made of thick wire
- ▶ Major contribution in green environment management
- ▶ Finish : Chrome Plated

### Technical Details

- ▶ Min required cabinet width- 350 mm
- ▶ Min. internal cabinet depth- 505 mm
- ▶ Preferable to use with Hinges 95°
- ▶ Bin capacity - 8 L
- ▶ Easy installation, with fixing at only two points

### Note

- ▶ Lid is available in green & grey finish



Description	Width x depth x height mm	Order no.	PU
Square Bin Holder	235 x 170x 205	9 269 984	Pc
8L Bin	152 x 225x 295	9 132 377	Pc
8L Lid (Green)	152 x 225x 21	9 132 382	Pc
8L Lid (Grey)	152 x 225x 21	9 132 384	Pc



# Base unit interior fittings

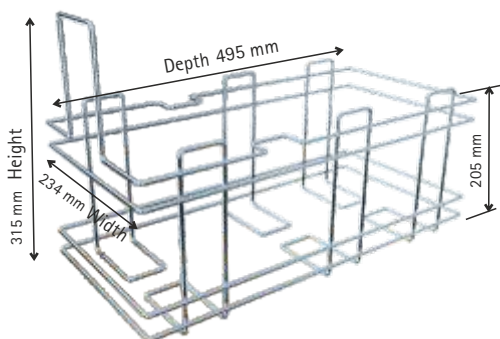
## Pull-Out Bin Holder W300 (Universal bin holder )



- ▶ Major contribution in green environment management
- ▶ Handle to pull out bin holder (Without shutter)
- ▶ Can be mounted with KA channels either on left or right side of the cabinet
- ▶ Finish : Chrome Plated

### Technical Details

- ▶ Min. cabinet Width- 300 mm
- ▶ Min. internal cabinet depth- 505 mm
- ▶ Min. internal cabinet Height- 350 mm
- ▶ Bin capacity 3 Bins- 3x 8L (24L)
- ▶ Bin capacity 2 Bins- 1x 17L & 1x 8L (25L)
- ▶ Front panel precise adjustment with fascia part
- ▶ Compatible with 500 mm KA telescopic runner only



### Note

- ▶ Order bins & lids separately (refer page: 119)
- ▶ Order telescopic runner & clamps separately

Description	Width x depth x height mm	Order no.	PU
Cargo Pull-Out Bin Holder W300	234 x 495 x 315	9 269 986	Pc

## Pull-Out Bin Holder W600 (Below Sink)



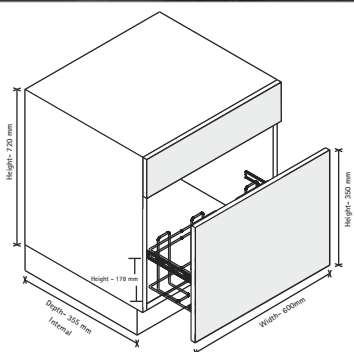
- ▶ For utilizing optimum space under the sink
- ▶ Major contribution in green environment management
- ▶ Finish : Chrome Plated

### Technical Details

- ▶ Min. cabinet Width- 600 mm
- ▶ Min. internal cabinet depth- 355 mm
- ▶ Min. internal cabinet height - 350 mm
- ▶ Bin capacity 3 Bins- 3x 8L (24L)
- ▶ Bin capacity 2 Bins- 1x 17L & 1x 8L (25L)
- ▶ Compatible with 350 mm KA telescopic runner only
- ▶ Front panel precise adjustment with fascia part

### Note:

- ▶ Order bins & lids separately (refer page: 119)
- ▶ Order telescopic runner & clamps separately



Description	Width x depth x height mm	Order no.	PU
Cargo Pull-Out Bin Holder W600 (Below Sink)	536 x 225 x 205	9 269 985	Pc

## Base unit interior fittings



- ▶ Plastic bin with sturdy double handle
- ▶ As standard, all bins are supplied without lid
- ▶ Lids must be ordered separately, see below
- ▶ The lid heights specified below are total dimensions, the additional height for all lids is 2 mm
- ▶ Colour
  - Bin: Grey
  - Lid: Grey & Green
- ▶ Bin Capacity : 8L & 17 L

### Bin

Article	Material / Finish	Width mm	Depth mm	Height mm	Order no.	PU
Bin 8L	Plastic/grey	152	225	295	9 132 377	1 ea.
Bin 17L	Plastic/grey	225	304	295	9 132 380	1 ea.

### Lid

Article	Material / Finish	Width mm	Depth mm	Height mm	Order no.	PU
Lid 8L	Plastic/green	152	225	21	9 132 382	1 ea.
Lid 8L	Plastic/grey	225	304	21	9 132 384	1 ea.
Lid 17L	Plastic/grey	225	304	21	9 132 386	1 ea.

# Wall unit & base unit

## Wall Unit



### Cosario:

- ▶ Innovative organisation system for wall units
- ▶ All stored items are within full view
- ▶ Ideal for retrofitting
- ▶ Minimum carcass depth 300 mm
- ▶ Height of side when closed 140 mm
- ▶ Interior height 120 mm
- ▶ Loading capacity 5 kg

For cabinet width mm	Order no.	PU
600	9 062 032	1 set
900	9 062 035	1 set

## Base Unit



### Cylinder trolley

- ▶ Smooth motion with castors
- ▶ Locking mechanism in two castors, for stability
- ▶ Can easily take load of filled gas cylinder
- ▶ Low height for easy loading of cylinder
- ▶ Finish: Chrome Plated

Order no.	PU
9 210 445	1 pc



### Wicker baskets:

- ▶ With wooden frame and integrated handle moulding
- ▶ For cabinet widths of 400, 500 and 600 mm
- ▶ Minimum carcass depth inside 500 mm

For carcass width mm	Width x depth x height mm	Order no.	PU
400	320 x 500 x 120	0 041 895	1 ea.
400	320 x 500 x 210	0 041 898	1 ea.
400	320 x 500 x 300	0 041 902	1 ea.
500	420 x 500 x 120	0 041 896	1 ea.
500	420 x 500 x 210	0 041 899	1 ea.
500	420 x 500 x 300	0 041 903	1 ea.
600	520 x 500 x 120	0 041 897	1 ea.
600	520 x 500 x 210	0 041 901	1 ea.
600	520 x 500 x 300	0 041 904	1 ea.
Beech Runner for cabinet side 18-19mm		0 041 906	1 Set

(Order Beech Runner Separately )

## Sliding and folding door systems



If the bedroom were only for sleeping in – we could keep it short on this page. But modern bedrooms are more than a home's haven of tranquillity. It's a favourite place for daydreaming, relaxing with a book or watching a good program in the evening. And in most cases also for getting dressed and changed.

### Calculating door weights:

Density of various materials in kg/m<sup>3</sup>

Material	Density kg/m <sup>3</sup>
Acrylic glass	1200
Aluminium	2700
Balsa wood	120
Concrete	2400
Lead	11300
Iron	7800
Gypsum plasterboard	900
Glass	2600
Hardboard	1000
Hardwood, wet (beech)	900
Hardwood, dry (beech)	800
Cork	300



# Sliding and folding door systems

## ► Calculating door weights

### Weight tables for standard materials

Door weight in kg (chipboard: 19 mm thick, density = 700 kg/m<sup>3</sup>)

Chipboard	Door width mm												
	500	600	700	800	900	1000	1100	1200	1300	1400	1600	1800	2000
700	4.66	5.59	6.52	7.45	8.38	9.31	10.24	11.17	12.10	13.03	14.90	16.76	18.62
800	5.32	6.38	7.45	8.51	9.58	10.64	11.70	12.77	13.83	14.90	17.02	19.15	21.28
900	5.99	7.18	8.38	9.58	10.77	11.97	13.17	14.36	15.56	16.76	19.15	21.55	23.94
1000	6.65	7.98	9.31	10.64	11.97	13.30	14.63	15.96	17.29	18.62	21.28	23.94	26.60
1100	7.32	8.78	10.24	11.70	13.17	14.63	16.09	17.56	19.02	20.48	23.41	26.33	29.26
1200	7.98	9.58	11.17	12.77	14.36	15.96	17.56	19.15	20.75	22.34	25.54	28.73	31.92
1300	8.65	10.37	12.10	13.83	15.56	17.29	19.02	20.75	22.48	24.21	27.66	31.12	34.58
1400	9.31	11.17	13.03	14.90	16.76	18.62	20.48	22.34	24.21	26.07	29.79	33.52	37.24
1600	10.64	12.77	14.90	17.02	19.15	21.28	23.41	25.54	27.66	29.79	34.05	38.30	42.56
1800	11.97	14.36	16.76	19.15	21.55	23.94	26.33	28.73	31.12	33.52	38.30	43.09	47.88
2000	13.30	15.96	18.62	21.28	23.94	26.60	29.26	31.92	34.58	37.24	42.56	47.88	53.20
2200	14.63	17.56	20.48	23.41	26.33	29.26	32.19	35.11	38.04	40.96	46.82	52.67	58.52
2400	15.96	19.15	22.34	25.54	28.73	31.92	35.11	38.30	41.50	44.69	51.07	57.46	63.84
2600	17.29	20.75	24.21	27.66	31.12	34.58	38.04	41.50	44.95	48.41	55.33	62.24	69.16

Door weight in kg (MDF: 19 mm thick, density = 900 kg/m<sup>3</sup>)

MDF	Door width mm												
	500	600	700	800	900	1000	1100	1200	1300	1400	1600	1800	2000
700	5.99	7.18	8.38	9.58	10.77	11.97	13.17	14.36	15.56	16.76	19.15	21.55	23.94
800	6.84	8.21	9.58	10.94	12.31	13.68	15.05	16.42	17.78	19.15	21.89	24.62	27.36
900	7.70	9.23	10.77	12.31	13.85	15.39	16.93	18.47	20.01	21.55	24.62	27.70	30.78
1000	8.55	10.26	11.97	13.68	15.39	17.10	18.81	20.52	22.23	23.94	27.36	30.78	34.20
1100	9.41	11.29	13.17	15.05	16.93	18.81	20.69	22.57	24.45	26.33	30.10	33.86	37.62
1200	10.26	12.31	14.36	16.42	18.47	20.52	22.57	24.62	26.68	28.73	32.83	36.94	41.04
1300	11.12	13.34	15.56	17.78	20.01	22.23	24.45	26.68	28.90	31.12	35.57	40.01	44.46
1400	11.97	14.36	16.76	19.15	21.55	23.94	26.33	28.73	31.12	33.52	38.30	43.09	47.88
1600	13.68	16.42	19.15	21.89	24.62	27.36	30.10	32.83	35.57	38.30	43.78	49.25	54.72
1800	15.39	18.47	21.55	24.62	27.70	30.78	33.86	36.94	40.01	43.09	49.25	55.40	61.56
2000	17.10	20.52	23.94	27.36	30.78	34.20	37.62	41.04	44.46	47.88	54.72	61.56	68.40
2200	18.81	22.57	26.33	30.10	33.86	37.62	41.38	45.14	48.91	52.67	60.19	67.72	75.24
2400	20.52	24.62	28.73	32.83	36.94	41.04	45.14	49.25	53.35	57.46	65.66	73.87	8/2.08
2600	22.23	26.68	31.12	35.57	40.01	44.46	48.91	53.35	57.80	62.24	71.14	80.03	88.92

### Adjustment to different thickness of material

The values in the table refer to 19 mm thick material.  
The value in the table must be multiplied by a factor in order to adjust to material of different thickness.

Material thickness mm	Factor
15	0.79
16	0.84
18	0.95
19	1.00
20	1.05
22	1.16
23	1.21
26	1.37
29	1.53

Formula for conversion  
Door weight = Weight for door in thickness of 19 mm from table above x factor

Example  
Door in chipboard  
H x W x D = 2000 x 1800 x 16  
Weight shown in table for this door size, but material in a thickness of 19 mm = 47.88 kg




Convert to 16 mm door thickness using factor of 0.84 as shown in table on left  
Door weight = 47.88 kg x 0.84 = 40.22 kg



# Top-running sliding door systems

► Range summary / Technical comparison



	InLine XL	TopLine XL / Advance	TopLine L
			
Page	127	128-132	133
Description	Top-running Sliding door system for tall units with 2 doors	Top-running Sliding door system for tall units with 2 / 3 / 4 door Synchronized	Top-running Sliding door system for tall units with 2 or 3 doors
Number of tracks	1	2	2
Door action	Horizontal	Horizontal	Horizontal
Construction	Overlay	Overlay	Overlay
Door weight	60 kg max	80 kg max.	50 kg max.
Door / door-frame material	Wood/wood, aluminium	Wood/wood, aluminium	Wood/wood, aluminium
Door height mm	2600 mm max.	2600 mm max.	2600 mm max.
Door width mm	750 mm min. / 2000 mm max.	700 mm min. / 2000 mm max.	700 mm min. / 1500 mm max.
Runner profile material	Aluminium	Aluminium	Aluminium
Door thickness	16 - 25 mm	16, 18, 19, 22, 25, 28, 40, 50 mm	16, 18, 19, 22, 25, 40 mm
Silent System	Soft Opening Soft Closing	In closing direction / optionally in opening direction and collision direction in 2-door applications	Soft Opening Soft Closing

# Top-running sliding door systems

► Range summary / Technical comparison



TopLine 22 / Advance



TopLine M



TopLine 110







Page	134-137	138	139
Description	Top-running Sliding door system for tall units with 2 or 3 doors	Top-running Sliding door system for units with 2 doors	Top running sliding door system for cabinets with 1 or 2 doors
Number of tracks	2	2	1
Door action	Horizontal	Horizontal	Horizontal
Construction	Overlay	Overlay	Inset
Door weight	50 kg max.	35 kg max.	20 kg max.
Door / door-frame material	Wood/wood, aluminium	Wood	Wood / wood, aluminium
Door height mm	2500 mm max.	2300 mm max.	500 mm min.
Door width mm	From 500 mm - 1500 mm	650 - 1250 mm max.	2000 mm max.
Runner profile material	Aluminium	Aluminium	Aluminium
Door thickness	16 - 28 mm	16 - 19 mm	16- 19 mm
Silent System	Soft Closing	Soft Closing	Soft Closing

# Top-running sliding door systems

► Range summary / Technical comparison




TopLine 1	TopLine 80	TopLine 1230	Grant SD
			
140	141	142	143-144
Top running sliding door system for cabinets with 2 or 3 doors	Top-running sliding door system	Top-running sliding door system for room dividers	Low duty sliding for single/by - partition doors installation
2	1	1	1
Horizontal	Horizontal	Horizontal	Horizontal
Inset	Inset	Inset	Inset
75 kg max.	80 kg max.	125kg	68 kg
Wood	Wood	Wood	Wood
500 mm min.	1000 mm min	1000 mm min	762-2400 mm
2500 mm max.	3000 mm max	3000 mm max	3000 mm max
Aluminium	Aluminium	Aluminium	Aluminium
16- 19 mm	30 mm min	25.4 mm min	25 min
-	-	-	Soft Opening Soft Closing

# Top-running sliding door systems

► Range summary / Technical comparison



	Grant HD	Grant XHD
		
Page	145-146	147-148
Description	Medium duty sliding for single/by - partition doors installation	Heavy duty sliding for single/by - partition doors installation
Number of tracks	1	1
Door action	Horizontal	Horizontal
Construction	Inset	Inset
Door weight	147 kg	227 kg
Door / door-frame material	Wood	Wood
Door width mm	762-2400 mm	762-2400 mm
Door height mm	3000 mm max	3000 mm max
Runner profile material	Aluminium	Aluminium
Door thickness	25 min	25 min
Silent System	Soft Opening Soft Closing	-

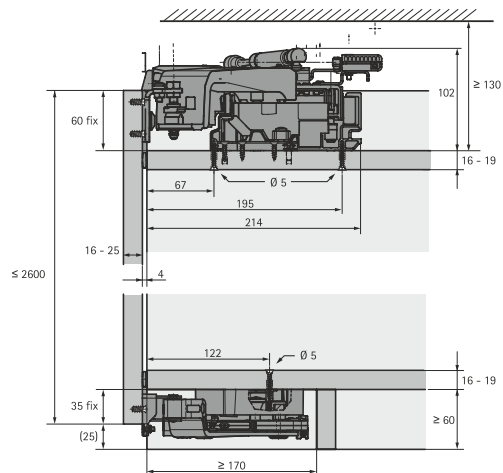
# Top-running sliding flush door system

► InLine XL

## Operating principle (Flush door fittings)



- Top running sliding door system
- Flush fitting doors
- For wooden or aluminium framed doors
- Doors weighing up to 60 kg
- Door thickness 16 - 25 mm
- Door height up to 2600 mm
- Door width 750 to 2000 mm
- Height adjustment, adjustable door overlay and tilt
- Silent System (adjustable) in opening and closing direction



## System Components



- Sets include Silent System

Door width	Max. recommended door height	Order no.	PU
750 - 819 mm	< 2000 mm	9 148 180	1 set
820 - 909 mm	< 2000 mm	9 148 201	1 set
910 - 1044 mm	< 2200 mm	9 148 202	1 set
1045 - 1199 mm	< 2200 mm	9 148 203	1 set
1200 - 1299 mm	< 2400 mm	9 148 204	1 set
1300 - 1499 mm	< 2400 mm	9 148 205	1 set
1500 - 1599 mm	< 2600 mm	9 148 206	1 set
1600 - 1799 mm	< 2600 mm	9 116 581	1 set
1800 - 1899 mm	< 2600 mm	9 115 574	1 set
1900 - 2000 mm	< 2600 mm	9 115 575	1 set

- Optional mounting aid upgrade kit concealed profile attachment on floor-to-ceiling units:

## InLine XL, set

Description	Unit	Order no.	PU
Door width 1200 - 2000 mm	Set	9 148 562	1



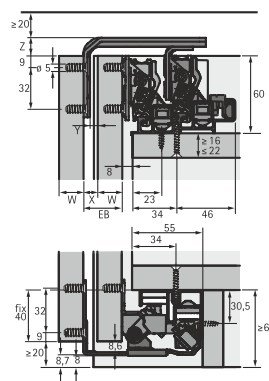
# Top-running sliding door system

## ▶ TopLine XL 2 door Advanced

### Operating principle



- ▶ 2-track, top running sliding door system
- ▶ Overlay door position
- ▶ For wooden doors or wood / aluminium framed doors
- ▶ Door weight up to 80 kg
- ▶ Door height up to 2600 mm
- ▶ Door width 700 - 2000 mm
- ▶ Door thicknesses 16, 18, 19, 22, 25, 28, 40, 50 mm
- ▶ Height adjustment  $\pm 2$  mm
- ▶ Door height, door offset and door reveal adjustable
- ▶ Easy to open with minimal opening resistance
- ▶ Silent System in closing, opening and colliding direction
- ▶ Fast installation of runner systems and Silent System
- ▶ Tested to DIN EN 15706, Level 3

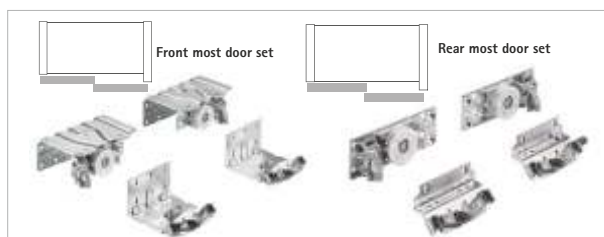


2-door cabinet, offset opening



2-door cabinet, flush opening

### System Components



Front most door set / Rear most door set

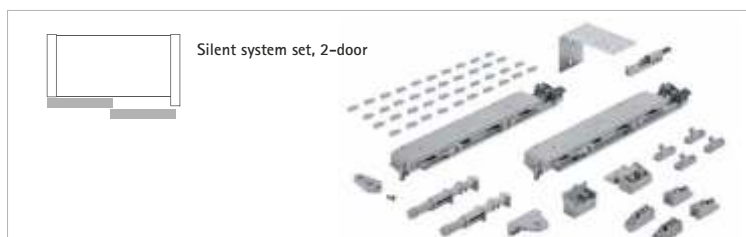
- ▶ Running components with integrated height adjustment
- ▶ Fast installation guide components
- ▶ Door offset infinitely adjustable between 0 and 50 mm
- ▶ Set contains running and guide components for one front most door / Rear most door
- ▶ Can only be used in combination with Silent System set

#### Set comprises:

- ▶ 2 running components for one front most door / rear most door
- ▶ 2 guide components for one front most door / rear most door

#### Advice:

- ▶ Please order Silent System and profiles separately
- ▶ Please order one front most door or one rear most door set



Silent system set, 2-door

- ▶ Quietly and gently closing and opening sliding doors
- ▶ Low opening force for easy door movement
- ▶ Easy installation: all in one soft opening and closing for tool-less fast installation
- ▶ Set contains all the components required for a 2-door application

#### Set comprises:

- ▶ 2 soft closing and opening elements
- ▶ 4 activators
- ▶ 1 Silent System connector for the front most door
- ▶ 1 Silent System connector for the rear most door
- ▶ 1 soft colliding element
- ▶ 2 soft guiding elements
- ▶ 4 end stops for the runner profile
- ▶ 2 end stops for the guide profile
- ▶ Fixing material

#### Advice:

- ▶ Please order fitting sets and profiles separately

### TopLine XL 2 Door Advanced, set

Description	Unit	Order no.	PU
Frontmost Set Right side EB33 for 22 mm max. door thickness	Set	9 183 613	1
Frontmost Set Right side EB39 for 28 mm max. door thickness	Set	9 183 615	1
Frontmost t Door Set Right side EB51 for 40 mm max. door thickness	Set	9 183 616	1
Rearmost Door Set Left side	Set	9 181 744	1
Rear most Door Set Right side	Set	9 183 533	1
Soft Opening & Closing System for 2 door	Set	9 169 548	1
3000 mm Runner Profile, Guide Profile & Cover Profile	Set	9 135 002	1
4000 mm Runner Profile, Guide Profile & Cover Profile	Set	9 135 004	1

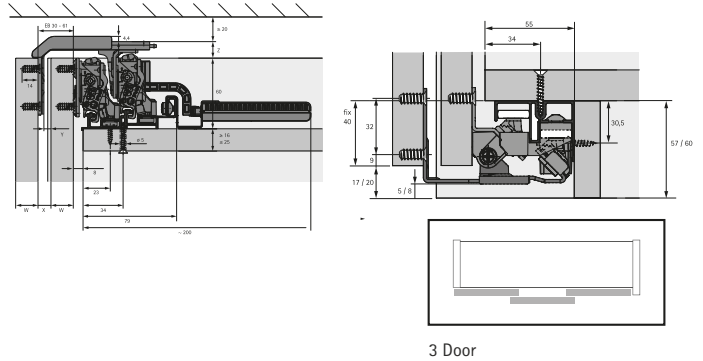
# Top-running sliding door system

## ▶ TopLine XL 3 door Advance

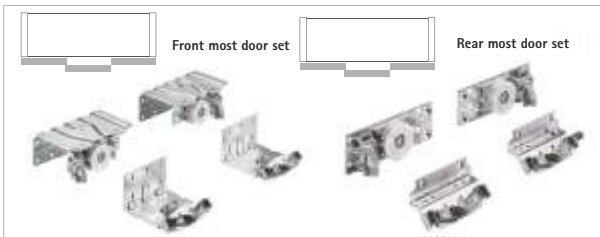
### Operating principle



- ▶ 2-track, top running sliding door system
- ▶ Overlay door position
- ▶ For wooden doors or wood / aluminium framed doors
- ▶ Door weight up to 80 kg
- ▶ Door height up to 2600 mm
- ▶ Door width 700 - 2000 mm
- ▶ Door thicknesses 16, 18, 19, 22, 25, 28, 40, 50 mm
- ▶ Height adjustment  $\pm 2$  mm
- ▶ Door height, door offset and door reveal adjustable
- ▶ Easy to open with minimal opening resistance
- ▶ Silent System in closing, opening and colliding direction
- ▶ Fast installation of runner systems and Silent System
- ▶ Tested to DIN EN 15706, Level 3



### System Components



#### Front most door set / Rear most door set

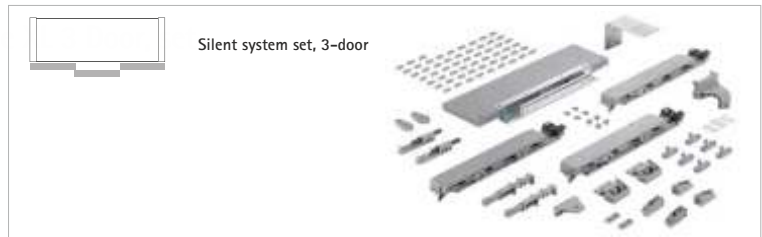
- ▶ Running components with integrated height adjustment
- ▶ Fast installation guide components
- ▶ Door offset infinitely adjustable between 0 and 50 mm
- ▶ Set contains running and guide components for one front most door / Rear most door
- ▶ Can only be used in combination with Silent System set

#### Set comprises:

- ▶ 2 running components for one front most door / rear most door
- ▶ 2 guide components for one front most door / rear most door

#### Advice:

- ▶ Please order Silent System and profiles separately
- ▶ Please order one front most door or one rear most door set



#### Silent system set, 3-door

- ▶ Quietly and gently closing and opening sliding doors
- ▶ Low opening force for easy door movement
- ▶ Easy installation: all in one soft opening and closing for tool-less fast installation
- ▶ Set contains all the components required for a 3-door application

#### Set comprises:

- ▶ 3 soft closing and soft opening elements
- ▶ 1 soft closing element for the centre door
- ▶ 7 activators
- ▶ 1 Silent System connector for the front most door
- ▶ 2 Silent System connectors for the rear most doors
- ▶ 2 soft colliding element
- ▶ 2 soft guiding elements
- ▶ 4 end stops for the runner profile
- ▶ 2 end stops for the guide profile
- ▶ Fixing material

#### Advice:

- ▶ Please order fitting sets and profiles separately

### TopLine XL 3 Door Advance, set

Description	Unit	Order no.	PU
Frontmost Door Set for 22 mm max. door thickness	Set	9 183 613	1
Frontmost Door Set for 28 mm max. door thickness	Set	9 183 615	1
Frontmost Door Set for 40 mm max. door thickness	Set	9 183 616	1
Rearmost Door Set Left side	Set	9 181 744	1
Rearmost Door Set Right side	Set	9 183 533	1
Soft Opening, Closing & Colliding System for 3 door	Set	9 154 933	1
4000 mm Runner Profile, Guide Profile & Cover Profile	Set	9 135 004	1

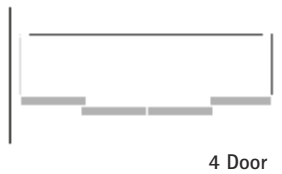
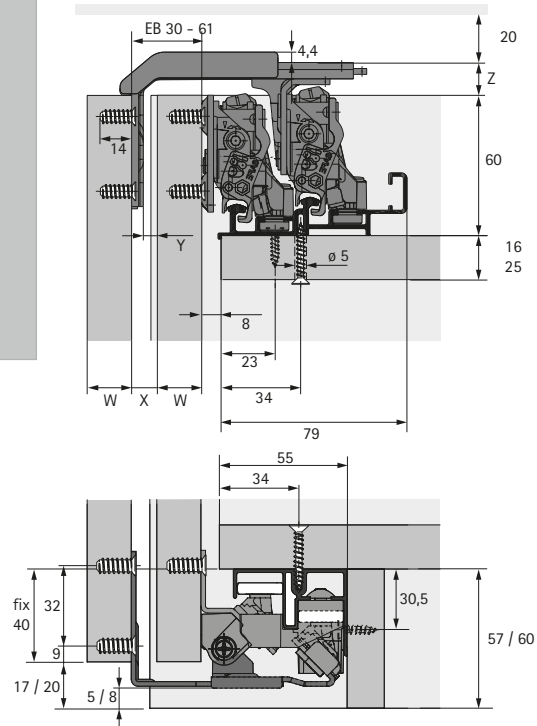
# Top-running sliding door system

## ▶ TopLine XL 4 door synchro

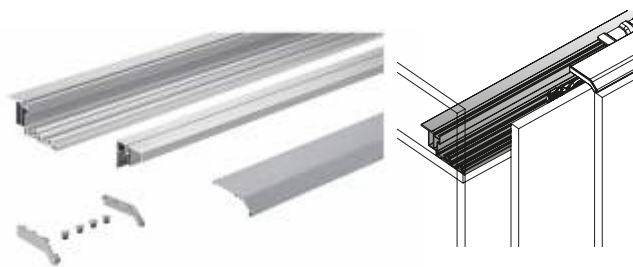
### Operating principle



- ▶ 2-track, top running sliding door system
- ▶ Overlay door position
- ▶ For wooden doors or wood / aluminium framed doors
- ▶ Door weight up to 80 kg
- ▶ Door height up to 2600 mm
- ▶ Door width 700 - 2000 mm
- ▶ Door thicknesses 16, 18, 19, 22, 25, 28, 40, 50 mm
- ▶ Height adjustment  $\pm 2$  mm
- ▶ Door height, door offset and door reveal adjustable
- ▶ Easy to open with minimal opening resistance
- ▶ Silent System in closing, opening and colliding direction
- ▶ Fast installation of runner systems and Silent System
- ▶ Tested to DIN EN 15706, Level 3



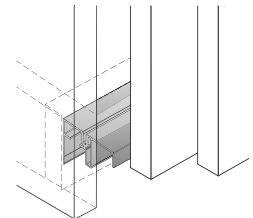
### Predrilled profile set, reinforced, for 4-door cabinets



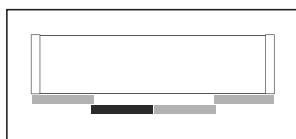
- ▶ Runner profile, guide profile and cover profile in one pack
- ▶ Reinforced runner profile for greater design flexibility
- ▶ Predrilled profiles for attachment using wood screws (screws not included in set)
- ▶ Aluminium, silver anodized (cover profile: grey plastic)

#### Set comprises:

- ▶ 1 predrilled runner profile
- ▶ 1 predrilled guide profile
- ▶ 1 cover profile for the front most door



### Front most door set



- ▶ Running components with integrated height adjustment
- ▶ Fast installation guide components
- ▶ Door offset infinitely adjustable between 0 and 50 mm
- ▶ Set contains running and guide components for one front most door
- ▶ Can only be used in combination with Silent System set

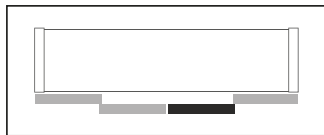
#### Set comprises:

- ▶ 2 running components for one front most door
- ▶ 2 guide components for one front most door

# Top-running sliding door system

## ▶ TopLine XL 4 door synchro

### Front most door set for synchronisation

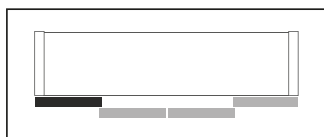


- ▶ Running components with integrated height adjustment
- ▶ Fast installation guide components
- ▶ Door offset infinitely adjustable between 0 and 50 mm
- ▶ Set contains running and guide components for one front most door and accessories for synchronising the centre doors
- ▶ Can only be used in combination with 4-door Silent System set

#### Set comprises:

- ▶ 2 running components for synchronising the centre doors
- ▶ 2 guide components for one front most door
- ▶ 4 adapters for synchronisation
- ▶ Fixing material

### Rear most door set (Left)

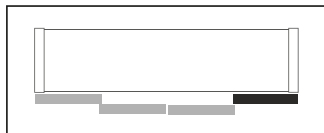


- ▶ Running components with integrated height adjustment
- ▶ Fast installation guide components
- ▶ Door offset infinitely adjustable between 0 and 50 mm
- ▶ Set contains running and guide components for one rear most door
- ▶ Can only be used in combination with Silent System set

#### Set comprises:

- ▶ 2 running components for one rear most door
- ▶ 2 guide components for one rear most door

### Rear most door set (Right)

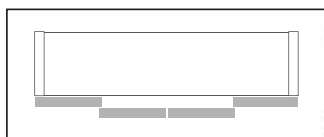


- ▶ Running components with integrated height adjustment
- ▶ Fast installation guide components
- ▶ Door offset infinitely adjustable between 0 and 50 mm
- ▶ Set contains running and guide components for one rear most door
- ▶ Can only be used in combination with Silent System set

#### Set comprises:

- ▶ 2 running components for one rear most door
- ▶ 2 guide components for one rear most door

### Silent System set, 4-door, synchronized, for reinforced runner profile



- ▶ Synchronized opening for the centre doors – providing easy access to the large central compartment
- ▶ Quietly and gently closing and opening sliding doors
- ▶ Low opening force for easy door movement
- ▶ Easy installation: all in one soft opening and closing – for tool-less fast installation
- ▶ Set contains all the components required for a 4-door application

#### Set comprises:

- ▶ 4 soft closing and opening elements
- ▶ 8 activators
- ▶ 2 Silent System connectors for the front most doors
- ▶ 2 Silent System connectors for the rear most doors
- ▶ 2 soft colliding elements
- ▶ 4 soft guiding elements
- ▶ 8 end stops for the runner profile
- ▶ 4 end stops for the guide profile
- ▶ 2 synchronisation cables
- ▶ 2 synchronisation rollers
- ▶ Fixing material

# Top-running sliding door system

## ▶ TopLine XL 4 door synchro

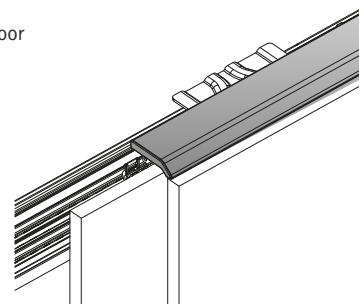
### Cover profile



- ▶ For covering the running components on the front most door
- ▶ Length 2000 mm, can be shortened
- ▶ Plastic, grey, with paintable finish

#### Set comprises:

- ▶ 1 cover profile for the front most door
- ▶ Fixing material



### TopLine XL 4 Door,set

Description	Unit	Order no.	PU
Frontmost Door Set EB33 for 22mm max. door thickness	Set	9 183 613	1
Frontmost Door Set for Synchronisation EB33 for 22 mm max. door thickness	Set	9 199 006	1
Frontmost Door Set EB39 for 28 mm max. door thickness	Set	9 183 615	1
Frontmost Door Set for Synchronisation EB39 for 28 mm max door thickness	Set	9 199 007	1
Frontmost Door Set EB51 for 40 mm max. door thickness	Set	9 183 616	1
Frontmost Door Set for Synchronisation EB51 for 40 mm max. door thickness	Set	9 199 009	1
Rearmost Door Set Left side	Set	9 181 744	1
Rearmost Door Set Right side	Set	9 183 533	1
Soft Opening, Closing Et Colliding System for 4 door (for Reinforced Profile)	Set	9 185 664	1
3000 mm Runner Profile Et Guide Profile (Reinforced Et Predrilled)	Set	9 191 156	1
4000 mm Runner Profile Et Guide Profile (Reinforced Et Predrilled)	Set	9 191 157	1



# Top-running sliding door system

- ▶ TopLine L, overlay door position, door movement on the top plane

## Operating principle



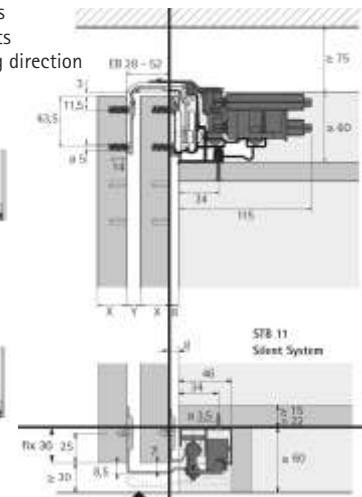
- ▶ 2-track, top running sliding door system
- ▶ Overlay door position
- ▶ For wooden doors or wood / aluminium framed doors
- ▶ Door weight up to 50 kg
- ▶ Door height up to 2600 mm
- ▶ Door width 700 - 1500 mm
- ▶ Door thicknesses 16, 18, 19, 21, 22, 25, 40 mm
- ▶ Height adjustment +/- 3 mm
- ▶ Door opening options: fully overlapping or offset when using projecting handles
- ▶ Fast installation of guide components
- ▶ Silent System in opening and closing direction
- ▶ Tested to DIN EN 15706, Level 3



2-door cabinet, offset opening



2-door cabinet, flush opening



## System Components



### Set comprises:

- ▶ Running components for front-most door
- ▶ Running components for rear-most door
- ▶ Support block for runner profile
- ▶ Stop for offset opening
- ▶ End stop for runner profile for flush opening
- ▶ Centre stop
- ▶ Tool for mounting runner profile in front of top panel
- ▶ Fixing material

### Runner profile:

- ▶ For installation in front of the cabinet top panel
- ▶ For use with Silent System Flexible 50
- ▶ Aluminium, silver anodised

### Cover profile:

- ▶ Length 1000 mm
- ▶ Plastic

## TopLine L, set

Description	Unit	Order no.	PU
Topline L 19 mm kit for Frontmost doors	Set	9 206 500	1
Topline L 22 mm kit for Frontmost doors	Set	9 206 501	1
Topline L 25 mm kit for Frontmost doors	Set	9 206 502	1
Topline L 40 mm kit for Frontmost doors	Set	9 206 503	1
Kit for rear door	Set	9 206 507	1
Silent System for 2 doors( Closing)	Set	9 182 589	1
Silent System for 2 doors( Opening)	Set	9 182 572	1
Silent System Soft Guiding Set	Set	9 199 769	1
Profile set for Topline L - 3000 mm	Set	9 184 801	1

For Guide Profile & Kit Components (STB), see page 137

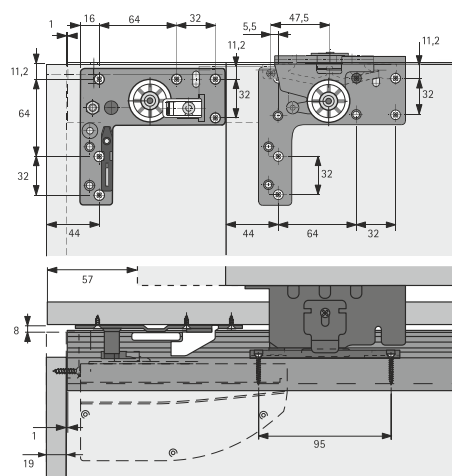
# Top-running sliding door system

## ▶ TopLine 22

### Operating principle



- ▶ 2-track, top running sliding door system
- ▶ Overlay door position
- ▶ For wooden doors or wood / aluminium framed doors
- ▶ Door weight up to 50 kg
- ▶ Door height up to 2500 mm
- ▶ Door width from 500 mm
- ▶ Door thicknesses 16, 18, 19, 21, 25, 28 mm
- ▶ Can be combined with STB 11, STB 12, STB 15 and STB 35 bottom guide system



### System Components / 2-3 door



#### Top door-runner set – runner profile

- ▶ Set for wooden doors / wood, aluminium-framed doors
- ▶ Top door-runner set
- ▶ Set contains all the parts required for configuring cabinets in the way shown
- ▶ Runner profiles for installation in front of the top panel



#### Runner profile:

- ▶ For installation in front of the cabinet top panel
- ▶ Aluminium, silver anodised

Order no.	PU
0 071 111	4 ea.



#### Cover Profile

- ▶ Length 1000 mm
- ▶ Plastic
- ▶ Brown

Order no.	PU
0 046 418	1 ea.

### TopLine 22, set

Description	Unit	Order no.	PU
Set 2-Door for thickness 21 mm front door on right	Set	0013 431	1
Set 2-Door for thickness 21 mm front door on left	Set	0013 432	1
Set 3-Door for thickness 21 mm	Set	0013 433	4
Runner profile 3000 mm Silver Alu.	Pc	0071 111	1

For Guide Profile & Kit Components (STB), see page 137

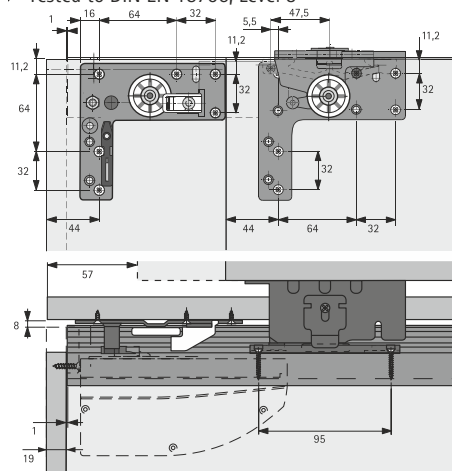
# Top-running sliding door system

## ▶ TopLine 22 Advance

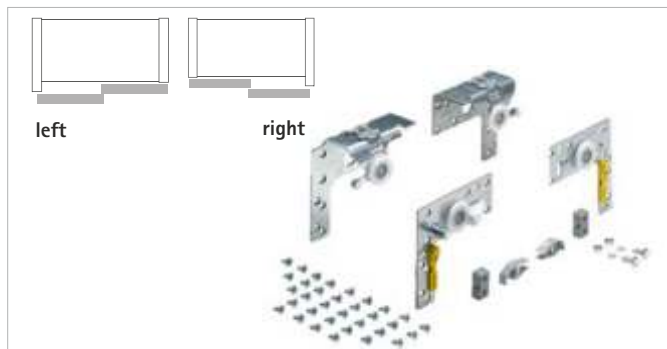
### Operating principle



- ▶ 2-track, top running sliding door system
- ▶ Overlay door position
- ▶ For wooden doors or wood / aluminium framed doors
- ▶ Door weight up to 50 kg
- ▶ Door height up to 2500 mm
- ▶ Door width from 500 mm
- ▶ Door thicknesses 16, 18, 19, 21, 25, 28 mm
- ▶ Can be combined with STB 11, STB 12, STB 15 and STB 35 bottom guide system
- ▶ Silent System as an option in closing direction
- ▶ Tested to DIN EN 15706, Level 3



### System Components / 2 door Advance



#### Top door runner set for front most door on left / right

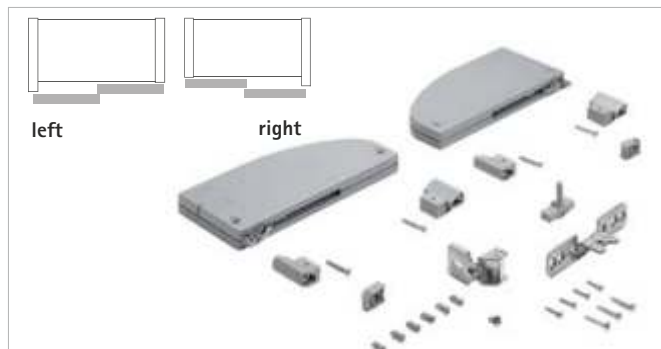
- ▶ Set for wooden doors / wood / aluminium framed doors
- ▶ Set for door movement at the top
- ▶ Set contains all the parts required for the specified cabinet configuration

#### Set comprises:

- ▶ 2 running components for front most door
- ▶ 2 running components for rear most door
- ▶ 2 support blocks for runner profile
- ▶ 2 end stops
- ▶ Fixing material

#### Advice:

- ▶ Please order Silent System and profiles separately



#### Silent System soft closing set

- ▶ Suitable for wooden or framed doors
- ▶ For max. door weight 50 kg
- ▶ Upgradeable
- ▶ Plastic, grey

#### Set comprises:

- ▶ 2 soft closing elements
- ▶ 2 activators
- ▶ 4 Silent System connectors
- ▶ 2 end stops
- ▶ Fixing material

#### Advice:

- ▶ Please order Silent System and profiles separately

For Guide Profile & Kit Components (STB), see page 137

# Top-running sliding door system

## ▶ TopLine 22 Advance

### System Components / 3 door Advance



#### Top door runner set

- ▶ Set for wooden doors / wood / aluminium framed doors
- ▶ Set for door movement at the top
- ▶ Set contains all the parts required for the specified cabinet configuration

#### Set comprises:

- ▶ 2 running components for front most door
- ▶ 4 running components for rear most door
- ▶ 2 support blocks for runner profile
- ▶ 2 end stops
- ▶ 1 centre stop
- ▶ Fixing material

#### Advice:

- ▶ Please order Silent System and profiles separately



#### Silent System soft closing set

- ▶ Suitable for wooden or framed doors
- ▶ For max. door weight 50 kg
- ▶ Upgradeable
- ▶ Plastic, grey

#### Set comprises:

- ▶ 2 soft closing elements
- ▶ 2 activators
- ▶ 4 Silent System connectors
- ▶ 2 end stops
- ▶ Fixing material

#### Advice:

- ▶ Please order Silent System and profiles separately
- ▶ Soft closing for rear most doors

### TopLine 22 Advance, 2-3 door set

Description	Unit	Order no.	PU
Set 2-Door for thickness 21 mm front door on right	Set	0013 431	1
Set 2-Door for thickness 21 mm front door on left	Set	0013 432	1
Set 3-Door for thickness 21 mm	Set	0013 433	4
Set 2-Door for thickness 28 mm front door on right	Set	9080 201	1
Set 2-Door for thickness 28 mm front door on left	Set	9080 202	1
Set 3-Door for thickness 28 mm	Set	9080 203	4
Runner profile 3000 mm Silver Alu.	Pc	0071 111	1
Set 2-Door Silent system soft closing set	Set	9084 432	1
Set 3-Door Silent system soft closing set	Set	9096 761	1



#### Cover Profile

- ▶ Length 1000 mm
- ▶ Plastic
- ▶ Brown

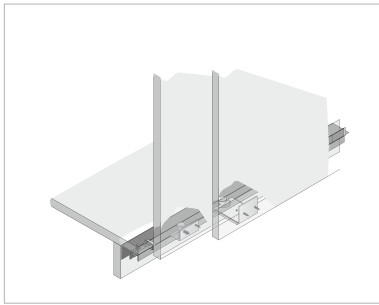
Order no.	PU
0 046 418	1 ea.

For Guide Profile & Kit Components (STB), see page 137

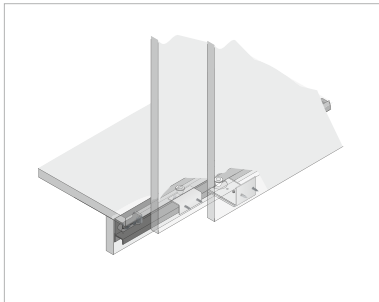
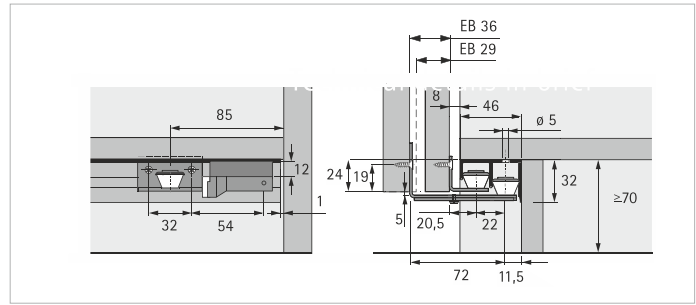
# Top-running sliding door system

## ► Bottom door guide for TopLine 22

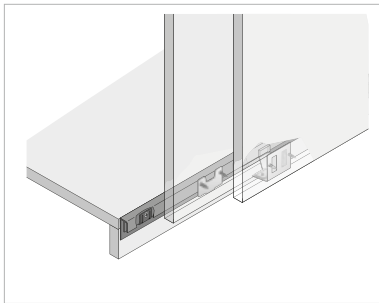
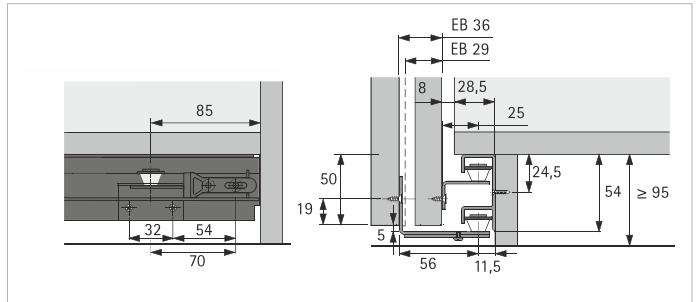
### STB 11, 12, 15 & 35



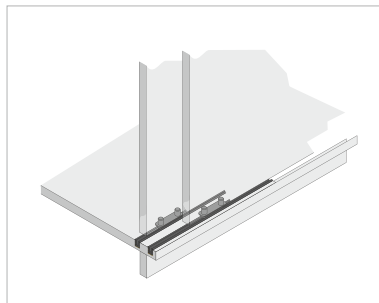
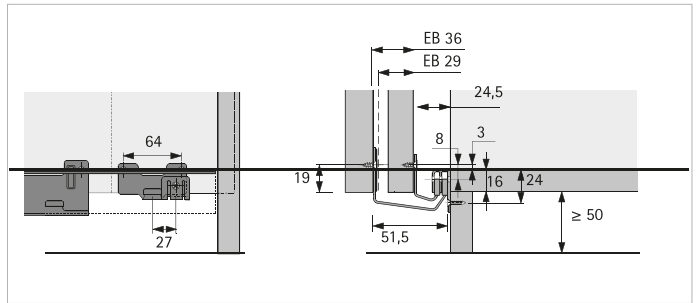
Bottom door-guide set STB 11



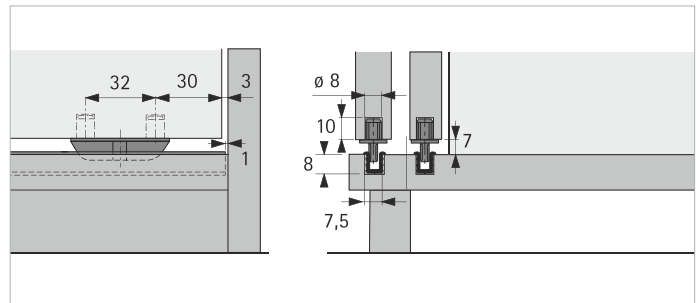
Bottom door-guide set STB 12



Bottom door-guide set STB 15



Bottom door-guide set STB 35



### Bottom door guide (STB)

Description for STB	Unit	Order no.	PU
STB 11 Guide track 3000mm Alu	Pc	0071 117	4
STB 11 set 2 doors	Set	0045 080	1
STB 11 set 3 doors	Set	0045 081	1
STB 12 Guide track 3000mm Alu	Pc	0071 116	4
STB 12 set 2 doors	Set	0045 082	1
STB 12 set 3 doors	Set	0045 083	1
STB 15 Guide profile 3000 mm Alu.	Pc	0071 115	4
STB 15 set 2 door	Set	0045 199	1
STB 15 set 3 door	Set	0045 200	1
STB 35 Guide track 3500mm Brown	Pc	0046 790	25
STB 35 Guide Peg Brown	Set	0025 119	100



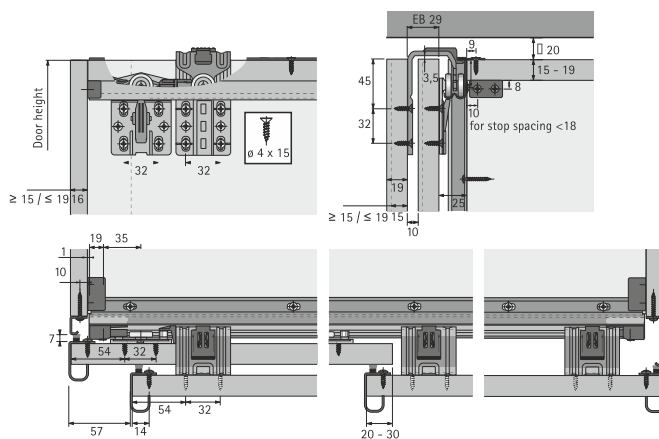
# Top-running sliding door system

## ▶ TopLine M

### Operating principle



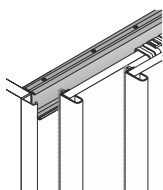
- ▶ 2-track, top running sliding door system
- ▶ Overlay door position
- ▶ For wooden doors
- ▶ Door weight up to 35 kg
- ▶ Door height up to 2300 mm
- ▶ Door width 500 - 1250 mm
- ▶ Door thicknesses 15, 16, 18, 19 mm
- ▶ 2 opening versions: fully flush or offset when using projecting handles
- ▶ Tested to EN 15706, Level 2



### System Components

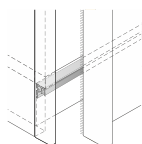


**Runner profile**



**Guide profile STB 16.2:**

- ▶ Positioned below the bottom panel
- ▶ Plastic, grey



**Set, bottom door guide STB 16.2:**

- ▶ STB 16.2 for profiles below the bottom panel (plinth set back by 20 mm)

**Set comprises:**

- ▶ Guide components for front-most door
- ▶ Guide components for rear-most door



**Top door-runner set:**

- ▶ Top door-runner set
- ▶ Set contains all the parts required for configuring cabinets in the way shown
- ▶ Runner profiles

**Set comprises:**

- ▶ Running components for front-most door
- ▶ Running components for rear-most door
- ▶ Support block for runner profile
- ▶ Spacer
- ▶ End stop
- ▶ Centre stop
- ▶ Special-purpose  $\varnothing 4 \times 14$  mm screws for mounting the end stop
- ▶ Fixing material



**Brush sealing strip:**

- ▶ For dust-proof seals
- ▶ Self-adhesive

### TopLine M, set

Description	Unit	Order no.	PU
2 Door Runner Set for guide system 16.2	Set	9133641	1
Set silent system 2 door	Set	9144901	1
Top-Line M(35) Runner Track 2000 mm	Pc	9117425	1
STB 16.2 Guide Track Under 2000 mm	Pc	9117429	1
Top-Line M(35) Brush Strip Grey 2100 mm	Pc	9200386	1

See pages 170-171 for Door Profile & Door End Profiles

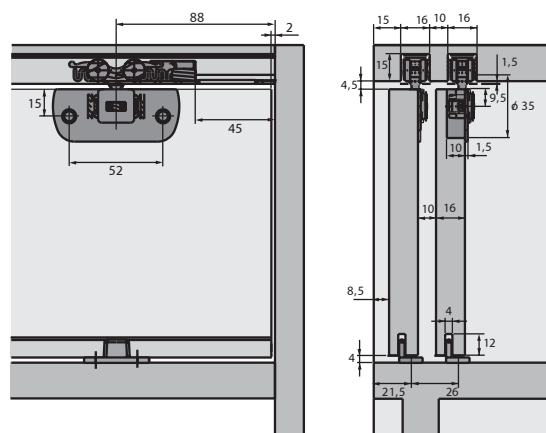
# Top-running sliding door system

## ▶ TopLine 110 / inset door position

### Operating principle



- ▶ Inset door position
- ▶ 1-track, top running sliding door system
- ▶ For top panel thicknesses of 19 mm and over
- ▶ For wooden and aluminium framed doors
- ▶ Door weight up to 20 kg
- ▶ Door height up to 2000 mm
- ▶ Door width 500 - 1500 mm
- ▶ Door thicknesses 16 - 19 mm
- ▶ Optional Silent System in closing direction
- ▶ Tool-less height adjustment +/- 2 mm
- ▶ Tool-less fast installation of the front panel
- ▶ Can be combined with various runner gliders or STB 11, STB 35 guide system
- ▶ Tested to DIN EN 15706, Level 3



### System Components



- Runner profile:**
- ▶ Length 3000 mm
  - ▶ Aluminium silver anodised



- Top door runner set:**
- ▶ Door weight 20 kg max.
  - ▶ Set contains all the parts required for a cabinet with 2 sliding doors
  - ▶ For runner profile



- Silent system soft-close system:**
- ▶ Can only be used in conjunction with wooden doors or wood-framed doors
  - ▶ Max. door weight 10 kg/door
- Set comprises:**
- ▶ 2 soft-close units right / left, grey plastic
  - ▶ 2 activators, plastic grey / black

- Set comprises:**
- ▶ 4 running components
  - ▶ 4 adapters for wooden doors
  - ▶ 4 end stops
  - ▶ 2 bottom guide components for wooden doors
  - ▶ 2 bottom guide components for aluminium-framed doors

### TopLine 110, set

Description	Unit	Order no.	PU
Aluminium Runner Profile 3000 mm for gluing in	Pc	9 040 230	4
Topline 110 Set for 2 Door Cabinet (for 16-19 mm door thickness)	Set	0 045 317	1
Silent System for Wooden Door only (Max door weight 20kg)	Set	9 079 731	1

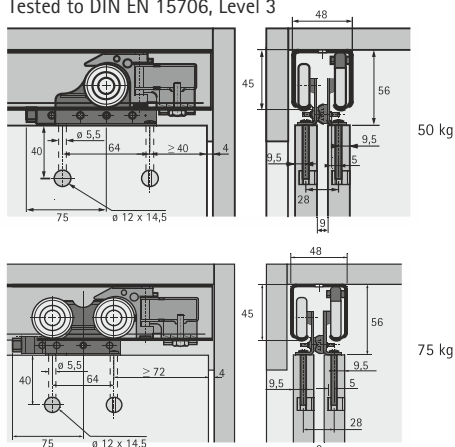
# Top-running sliding door system

## ▶ TopLine 1

### Operating principle



- ▶ Inset door position
  - ▶ 2-track, top running sliding door system
  - ▶ For wooden doors
  - ▶ Door weight up to 50 or 75 kg
  - ▶ Door height up to 2500 mm
  - ▶ Door width from 500 - 3000 mm
  - ▶ Door thicknesses 16 - 19 mm
  - ▶ Optional height adjustment +/- 2 mm
  - ▶ Tool-less fast installation of the front panel
  - ▶ Can be combined with STB 11, STB 12, STB 15 or STB 35 guide system
- Tested to DIN EN 15706, Level 3



### System Components



#### Top-running door set for 50 kg:

- ▶ Top door-runner set
- ▶ Loading capacity 50 kg / door
- ▶ Set contains all the parts required for configuring cabinets in the way shown



#### Top-running door set for 75 kg:

- ▶ Top door-runner set
- ▶ Loading capacity 75 kg / door
- ▶ Set contains all the parts required for configuring cabinets in the way shown



#### Runner profile, TopLine 1:

- ▶ Aluminium, bright

Description	Order no.	PU
For 2 doors	0 045 076	1 set
For 3 doors	0 045 077	1 set

Description	Order no.	PU
For 2 doors	0 045 078	1 set
For 3 doors	0 045 079	1 set

Length mm	Order no.	PU
3000	0 071 113	4 ea.

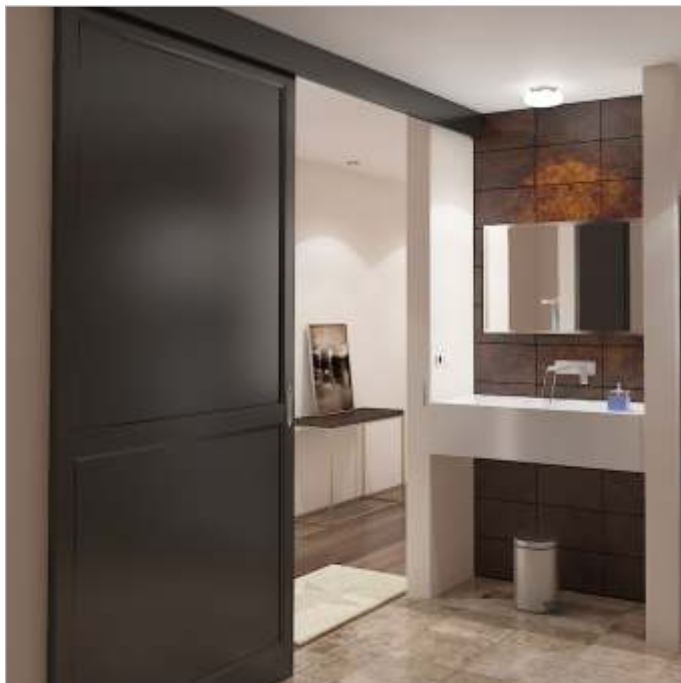
### Bottom door guide (STB)

Description for STB	Unit	Order no.	PU
STB 11 Guide track 3000mm Alu	Pc	0 071 117	4
STB 11 set 2 doors	Set	0 045 080	1
STB 11 set 3 doors	Set	0 045 081	1
STB 12 Guide track 3000mm Alu	Pc	0 071 116	4
STB 12 set 2 doors	Set	0 045 082	1
STB 12 set 3 doors	Set	0 045 083	1
STB 35 Guide track 3500mm Brown	Pc	0 046 790	25
STB 35 Guide Peg Brown	Set	0 025 119	100

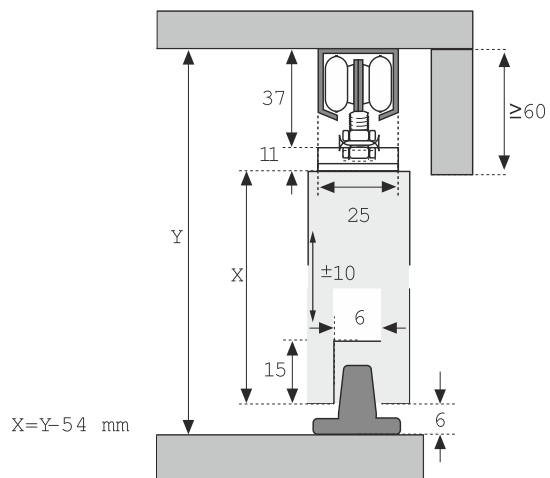
# Top-running sliding door system

▶ TopLine 80

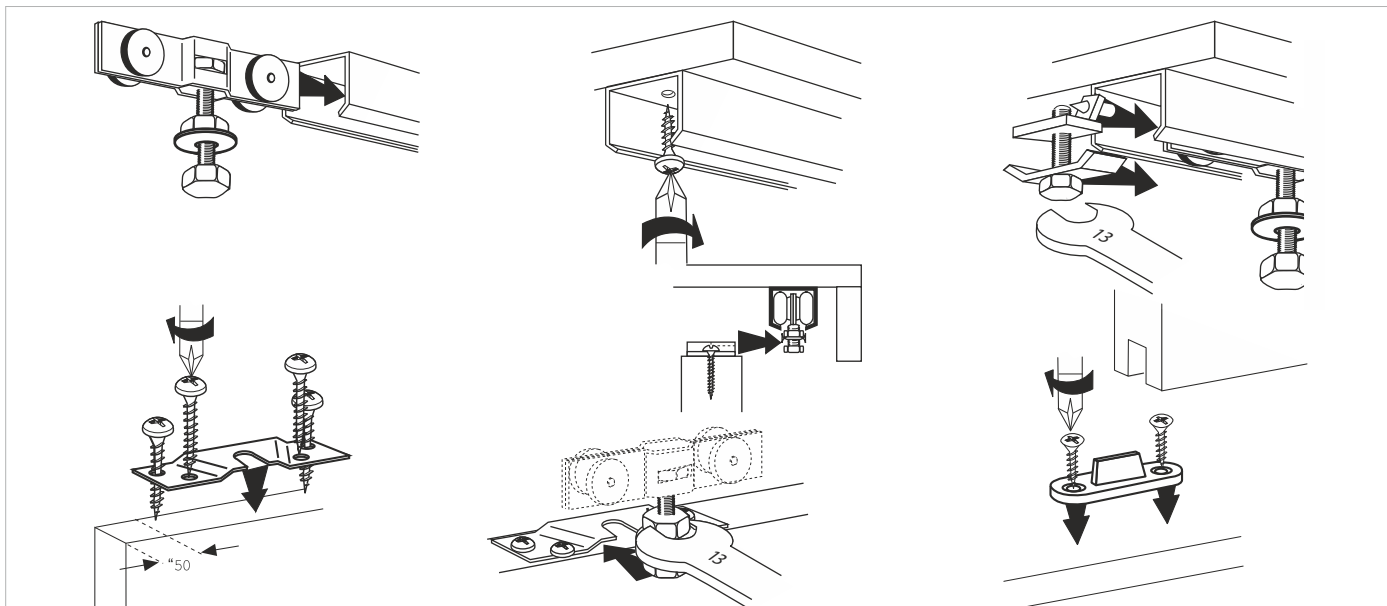
## Operating principle



- ▶ Top-running sliding door system
- ▶ Inset door position
- ▶ For wooden doors or wood-framed doors
- ▶ Door weight up to 80 kg



## System Components



## TopLine 80, set

Description	Unit	Order no.	PU
Kit for 80 Kg Door (Door Thickness : 25 mm upwards)	Set	0 014 005	1
Runner profile anodised aluminium profile 2000 mm	Pc	0 014 006	4
Runner profile anodised aluminium profile 3000 mm	Pc	9 083 102	4

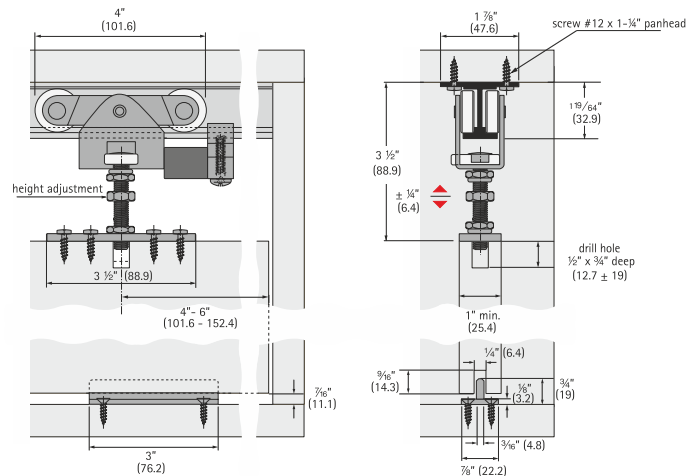
# Top-running sliding door system

## ▶ Grant 1230

### Operating principle



- ▶ For doors 1" and up weighing up to 125 kg/door
- ▶ Precision ball-bearing wheels guarantee a smooth, quiet and effortless operation
- ▶ Four wheel carrier, center hung for efficient operation
- ▶ Vertical adjustment  $\pm 1/4"$  (6.4 mm)
- ▶ Heavy duty aluminum I-beam track; jump proof design
- ▶ Conforms to ANSI/BHMA standards, Grade 1
- ▶ Made in USA



### System Components



#### Runner profile, TopLine 1230:

- ▶ Perforated
- ▶ Length 3000 mm
- ▶ Aluminium



#### Bumper stop 1213:

- ▶ Aluminium, with rubber bumper



#### Carrier 1205:

- ▶ Steel, four wheels, precision bearings, with pendant bolt and top plate
- ▶ Screws included



#### Floor guide 7015:

- ▶ Zamac
- ▶ Dimensions: 3" x 7/8" x 3/4" (76.2 x 22.2 x 19 mm)
- ▶ Screws included



#### Continuous floor guide 2014:

- ▶ Aluminium

### Grant 1230, set

Description	Unit	Order no.	PU
TopLine 1230/ WingLine 1260 "Grant" Runner 3000mm Alu.	Pc	0 050 125	4
TopLine 1230/ WingLine 1260 "Grant" Runner 3600mm Alu.	Pc	0 050 126	4
TopLine 1230 "Grant" Kit for 1 door 147kg / Door	Set	1 133 278	1
TopLine 1230 Bumper stop 1213 Aluminium, with rubber bumper	Pc	0 050 140	2
TopLine 1230 Floor guide 7015 finish zinc-plated	Pc	0 050 562	10



# Top-running sliding door system

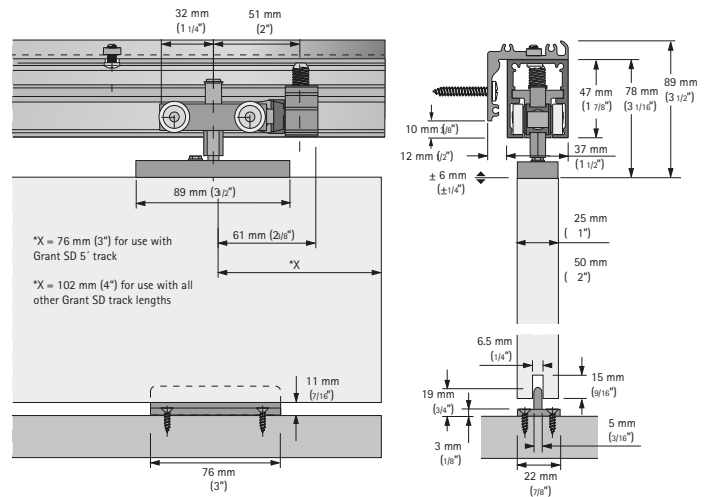
► Grant SD

## Operating principle



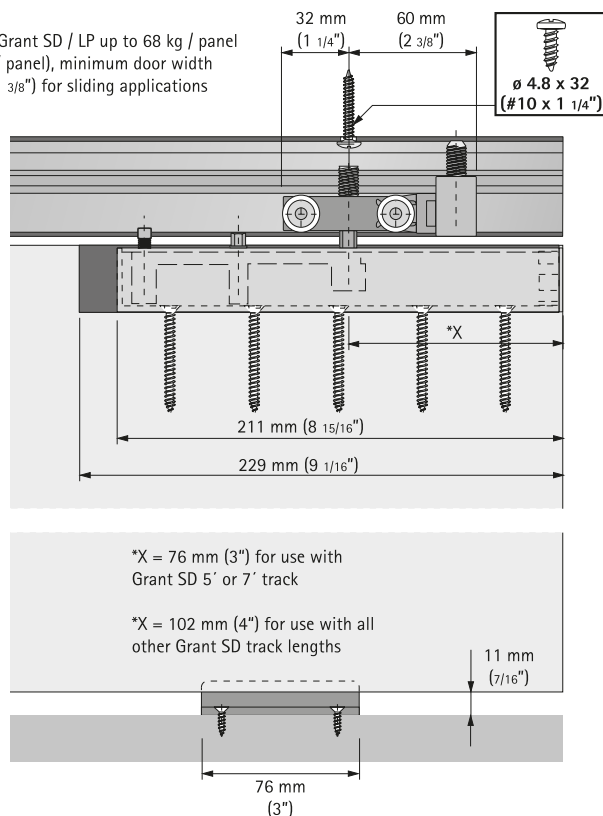
Standard profile hardware set

- The TopLine Grant SD series is a medium duty commercial and residential grade sliding door hardware series ideal for single and bi-parting installations. Applications include doors between rooms, closet doors, cabinets and storage walls.
- Soft closing, soft opening
- Precision ball bearing wheels ensure a smooth, quiet and long lasting performance
- Self-leveling design allows for even distribution of load for maximum performance and durability
- 1/2" vertical adjustment; minimal headroom required
- Aluminium box track
- Cushioned end stops holds door in place
- Wall mount bracket available
- Fascia available
- For Door weight 68kg
- Meets and/or exceeds ANSI/BHMA standards

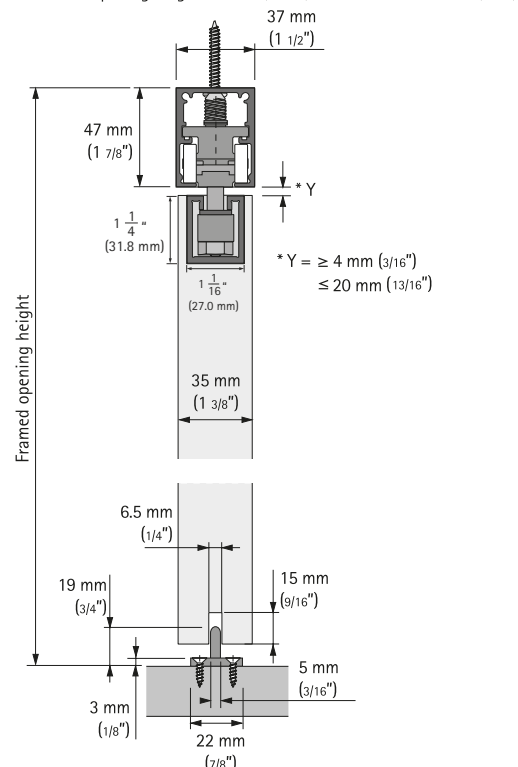


## Low profile hardware set SD

Top Line Grant SD / LP up to 68 kg / panel (150 lbs / panel), minimum door width 35 mm (1 3/8") for sliding applications



Framed opening height 47 mm (1 7/8") + Y + Panel + 11 mm (7/16")



# Top-running sliding door system

## ► Grant SD

### System Components



#### Single track 1201:

- Aluminium, anodized
- Easy attachment due to pre-punched screw slots



#### Wall mount bracket SD

- Suitable for 25 mm (1") to 50 mm (2") doors
- Aluminium, anodized



#### Low profile hardware set SD

- Minimum reveal of 4 mm (3/16")
- Ideal also for restricted headroom application
- Aluminium construction
- Set contains components for a 1-door application



#### Fascia SD

- Hide your gap between profile and door
- For header mount or wall mount application
- Easy to install: Just snap into fascia clips
- Suitable for 25 mm (1") to 44 mm (1 3/4") doors
- Aluminium, anodized



#### Standard hardware set SD

- Set contains components for a 1-door application



#### Set mount fascia clip

- Available for wall and header mount



#### Silent System SD

- Quietly and gently opening and closing sliding doors
- Suitable for door weight up to 68 kg (150 lbs)



#### Endcap SD with/without fascia:

- Plastic, aluminium colored finish

Item Description	Unit	Order no	PU
<b>TopLine Grant SD Set Standard 10 feet with Silent System</b>			
Single Track 10 feet	Pc	9 199 839	1
Standard Hardware Set	Set	9 191 124	1
Silent System SD	Pc	9 235 608	1
<b>TopLine Grant SD Set Low Profile 10 feet with Silent System</b>			
Single Track 10 feet	Pc	9 199 839	1
Low profile Hardware Set	Set	9 203 725	1
Silent System SD	Pc	9 235 608	1
<b>TopLine Grant SD Set Standard 12 feet with Silent System</b>			
Single Track 12 feet	Pc	9 199 840	1
Standard Hardware Set	Set	9 191 124	1
Silent System SD	Pc	9 235 608	1
<b>Accessories</b>			
Front fascia (8 feet)	Pc	9 203 733	1
Header mount Fascia Clip	Pc	9 203 751	1
End cap without fascia	Pc	9 202 941	1
End cap with fascia	Pc	9 202 943	1
Wall mount bracket 8 feet	Pc	9 202 899	1
Wall mount fascia clip	Pc	9 203 752	1

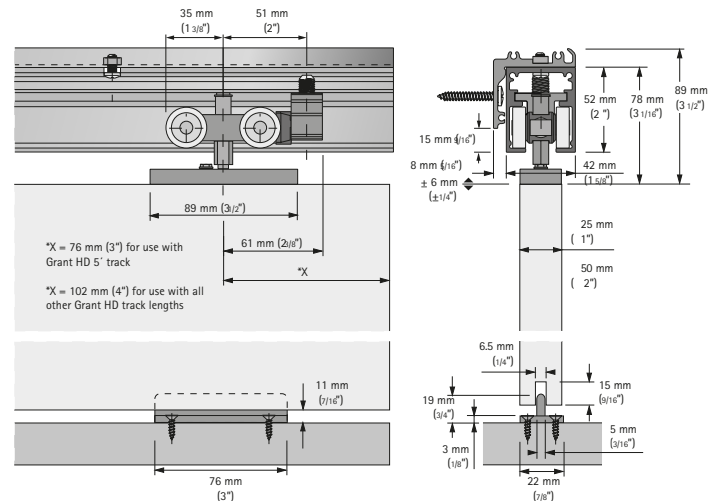
# Top-running sliding door system

► Grant HD

## Operating principle



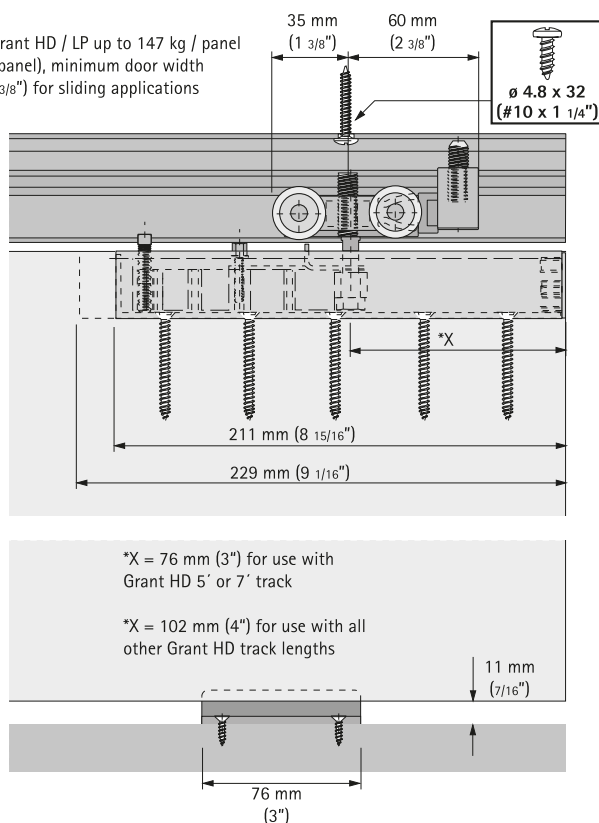
- The TopLine Grant HD series is a heavy duty commercial and residential grade sliding door hardware series ideal for single and bi-parting installations. Applications include doors between rooms, closet doors, cabinets and storage walls.
- Soft closing, soft opening
- Precision ball bearing wheels ensure a smooth, quiet and long lasting performance
- Self-leveling design allows for even distribution of load for maximum performance and durability
- 1/2" vertical adjustment; minimal headroom required
- Heavy duty aluminium box track
- Cushioned end stops holds door in place
- Wall mount bracket available
- Fascia available
- For Door weight 147kg
- Meets and/or exceeds ANSI/BHMA standards



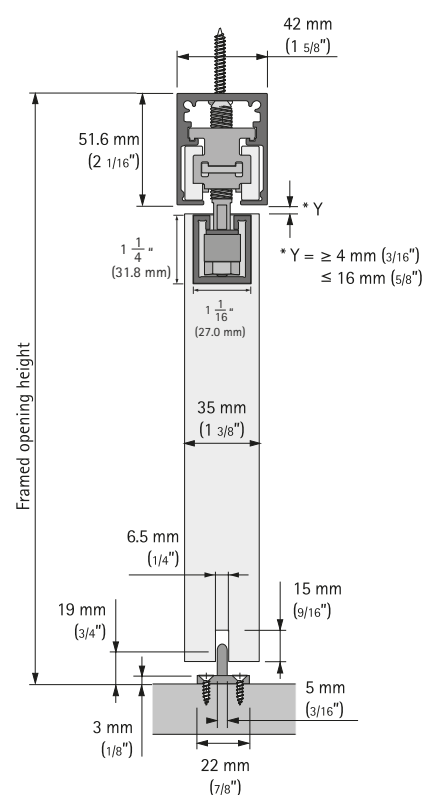
Standard profile hardware set

## Low profile hardware set HD

Top Line Grant HD / LP up to 147 kg / panel (325 lbs / panel), minimum door width 35 mm (1 3/8") for sliding applications



Framed opening height 52 mm (2 1/16") + Y + Panel + 11 mm (7/16")



# Top-running sliding door system

## ▶ Grant HD

### System Components



#### Single track HD:

- ▶ Aluminium, anodized
- ▶ Easy attachment due to pre-punched screw slots



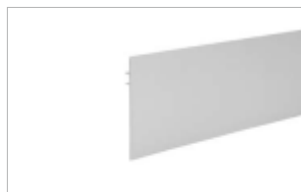
#### Wall mount bracket HD

- ▶ Suitable for 25 mm (1") to 50 mm (2") doors
- ▶ Aluminium, anodized



#### Low profile hardware set HD

- ▶ Minimum reveal of 4 mm (3/16")
- ▶ Ideal also for restricted headroom application
- ▶ Aluminium construction
- ▶ Set contains components for a 1-door application



#### Fascia HD

- ▶ Hide your gap between profile and door
- ▶ For header mount or wall mount application
- ▶ Easy to install: Just snap into fascia clips
- ▶ Suitable for 25 mm (1") to 44 mm (1 3/4") doors
- ▶ Aluminium, anodized



#### Standard hardware set HD

- ▶ Set contains components for a 1-door application



#### Set mount fascia clip

- ▶ Available for wall and header mount



#### Silent System HD

- ▶ Quietly and gently opening and closing sliding doors
- ▶ Suitable for door weight up to 147 kg



#### Endcap HD with/without fascia:

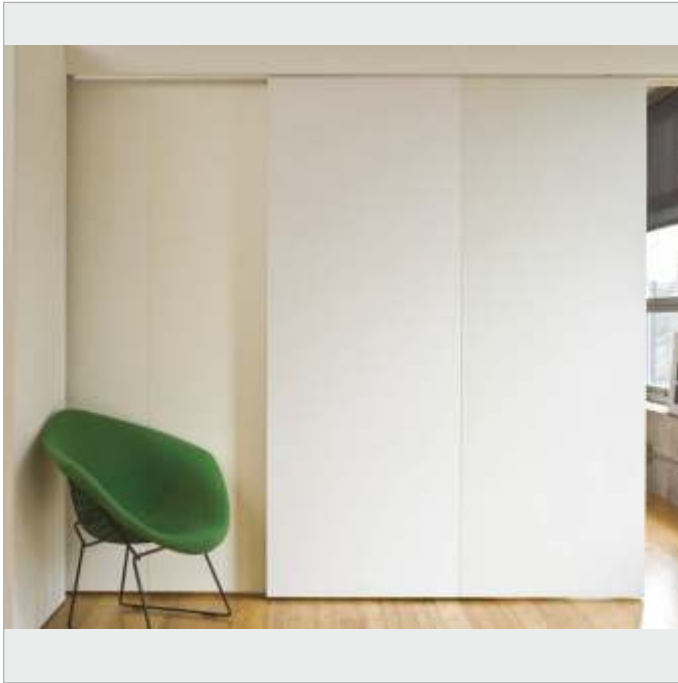
- ▶ Plastic, aluminium colored finish

Item Description	Unit	Order no	PU
<b>TopLine Grant HD Set Standard 10 feet with Silent System</b>			
Single Track 10 feet	Pc	9 201 461	1
Standard Hardware Set	Set	9 191 125	1
Silent System HD	Pc	9 235 621	1
<b>TopLine Grant HD Set Low Profile 10 feet with Silent System</b>			
Single Track 10 feet	Pc	9 201 461	1
Low profile Hardware Set	Set	9 203 729	1
Silent System HD	Pc	9 235 621	1
<b>TopLine Grant HD Set Standard 12 feet with Silent System</b>			
Single Track 12 feet	Pc	9 201462	1
Standard Hardware Set	Set	9 191125	1
Silent System HD	Pc	9 235 621	1
<b>TopLine Grant HD Set Low Profile 12 feet with Silent System</b>			
Single Track 12 feet	Pc	9 201 462	1
Low profile Hardware Set	Set	9 203 729	1
Silent System HD	Pc	9 235 621	1
<b>Accessories</b>			
Front fascia (8 feet)	Pc	9 203 733	1
Header mount Fascia Clip	Pc	9 203 751	1
End cap without fascia	Pc	9 202 942	1
End cap with fascia	Pc	9 202 943	1
Wall mount bracket 8 feet	Pc	9 202 899	1
Wall mount fascia clip	Pc	9 203 752	1

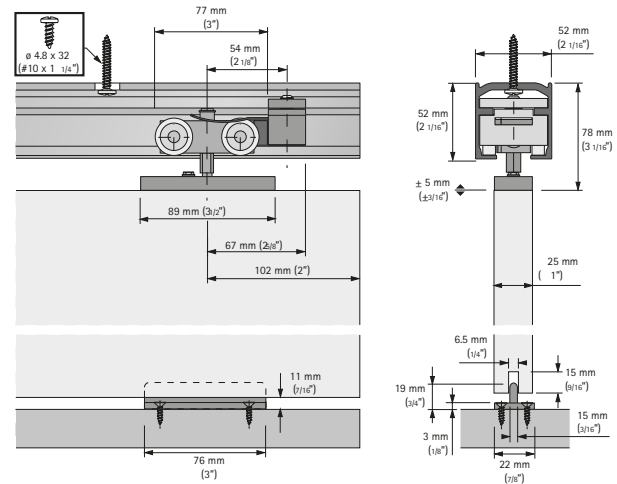
# Top-running sliding door system

## ► Grant XHD

### Operating principle



- The TopLine Grant XHD series is a heavy duty line of sliding door hardware recommended for design applications which require the movement of heavy panels, space dividers or large doors.
- Precision ball bearing wheels ensure a smooth, quiet, and long lasting performance even under full load capacity.
- Self-leveling design allows for even distribution of load for maximum performance and durability
- 3/8" vertical adjustment; minimal headroom required
- Heavy duty aluminium box track
- Outstanding performance and durability
- For Door weight 227 kg
- Meets and/or exceeds ANSI/BHMA standards



### System Components



#### Single track XHD:

- Aluminium, anodized
- Easy attachment due to pre-punched screw slots



#### Wall mount bracket XHD

- Suitable for 25 mm (1") to 50 mm (2") doors
- Aluminium, anodized



#### Standard hardware set XHD

- Set contains components for a 1-door application



#### Fascia HD

- Hide your gap between profile and door
- For header mount or wall mount application
- Easy to install: Just snap into fascia clips
- Suitable for 25 mm (1") to 44 mm (1 3/4") doors
- Aluminium, anodized



#### Endcap XHD with/without fascia:

- Plastic, aluminium colored finish



#### Set mount fascia clip

- Available for wall and header mount

TopLine Grant XHD Set Standard 12 feet without Silent System	Unit	Order no.	PU
Single Track 12 feet	Pc	9 199 513	1
Standard Hardware Set	Set	9 191 126	1
<b>Accessories</b>			
Front fascia (8 feet)	Pc	9 203 733	1
Header mount Fascia Clip	Pc	9 203 751	1
End cap without fascia	Pc	9 202 944	1
End cap with fascia	Pc	9 203 015	1
Wall mount bracket 8 feet	Pc	9 202 935	1
Wall mount fascia clip	Pc	9 203 752	1



# Bottom-running sliding door systems

► Range summary / Technical comparison







	SlideLine M	SlideLine 66	SlideLine 55
Page	150	151	152
Description	Bottom running sliding door system with one runner	Bottom running sliding door system with one runner	Bottom running sliding door system with two runners
Number of runners	1	1	2
Door action	Horizontal	Horizontal	Horizontal
Door position	Overlay	Overlay	Inset
Door weight	30 kg max.	10 kg max.	15 kg max. with plastic profile 30 kg max. with aluminium profile
Door material	Wood / aluminium Glass	Wood / aluminium Glass	Wood
Door height mm	up to 2000 mm	500 - 800	700 - 1500
Door width mm	300 - 1800	400 - 700	400 - 800
Runner profile material	Aluminium	Aluminium	Plastic/Aluminium
Door Thickness	16 -25 mm	16 -19 mm	16 -19 mm
Silent System	Soft Opening Soft Closing Soft colliding	-	Soft closing

# Bottom-running sliding door systems

► Range summary / Technical comparison



SlideLine 55 Plus	SlideLine 56	SlideLine 16	SlideLine 97
			
153	154	155	156
Bottom running sliding door system with two runners and Silent System	Bottom-running sliding door fitting with two tracks	Bottom running sliding door system for room dividers and wardrobe	Bottom running sliding door system with two runner
2	2	2	2
Horizontal	Horizontal	Horizontal	Horizontal
Inset / overlay	Inset	Inset	Inset
15 kg max. with plastic profile 30 kg max. with aluminium profile	40 kg max.	50 kg	50 Kg max.
Wood	Wood	Wood	Glass
700 - 1500 mm	2000 mm max	3000 mm max	2800 mm max
400 - 800 mm	500- 1000 mm	-	250-2500 mm
Plastic/Aluminium	Aluminium	Aluminium	Aluminium
16- 19 mm	16 -19 mm	19 mm	5/6/8 mm
Soft Opening Soft Closing	Soft Closing	Soft Opening Soft Closing	Soft closing

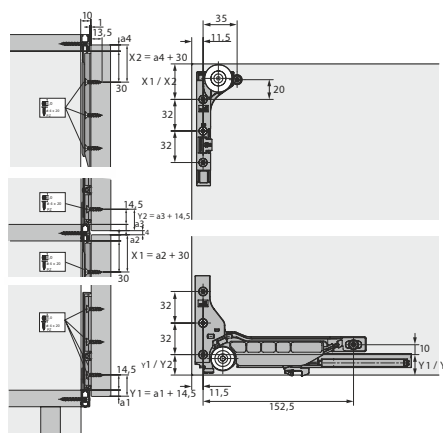
# Bottom-running sliding door system

## ▶ SlidLine M

### Operating principle



- ▶ 1-track, bottom-running sliding door system
- ▶ Overlay door position
- ▶ For wooden doors, aluminium-framed doors and glass doors
- ▶ Door weights up to 30 kg
- ▶ Door width 450 - 1500 mm
- ▶ Door Height up to 2000 mm
- ▶ Profiles for shelf thickness 15/16 mm, 18/19 mm, 22 mm, 25 mm
- ▶ +/- 2 mm height adjustment
- ▶ Silent System with activators that can be positioned anywhere
- ▶ Fast installation of front without need for tools



### System Components



Set of fittings for wooden doors with Silent System:

minimum door width	Order no.	PU
450 mm	9 156 338	1 set



Set of fittings for wooden doors without Silent System:

minimum door width	Order no.	PU
300 mm	9 156 339	1 set



Upgrade set for 19 mm aluminium frame doors with Silent System:

Set comprises:

- ▶ 2 guide component mounting adapters
- ▶ 2 mounting adapters for running components with Silent System
- ▶ 4 L shaped corner straps
- ▶ 2 screw on blocks
- ▶ 4 guide bushes / Fixing screws



Profile sets: 1 profiles

- ▶ 1 aluminium runner profile, silver anodized, predrilled
- ▶ 2 mounting clips
- ▶ Fixing screws



Coloured sets for concealing the runner profiles with a coloured cover

- ▶ 1 ABS decorative profile for sticking on
- ▶ 2 end caps
- ▶ 2 end caps (replacement)

All profile sets available in the following specification:

Profile height	Shelf / panel thickness	Length *	Order no.	PU
18 mm	18, 19 mm	2500 mm	9 209 225	1 set
18 mm	18, 19 mm	4000 mm	9 209 226	1 set
22 mm	22 mm	2500 mm	9 209 228	1 set
22 mm	22 mm	4000 mm	9 209 229	1 set
25 mm	25 mm	2500 mm	9 209 230	1 set
25 mm	25 mm	4000 mm	9 209 231	1 set

All profile sets available in the following specification:

Profile height	Colour	Length *	Order no.	PU
18 mm	silver	2500 mm	9 209 277	1 set
18 mm	black	4000 mm	9 209 278	1 set
18 mm	champagne	2500 mm	9 209 284	1 set
18 mm	champagne	4000 mm	9 209 285	1 set
22 mm	silver	2500 mm	9 209 286	1 set
22 mm	silver	2500 mm	9 209 287	1 set
25 mm	silver	2500 mm	9 209 399	1 set
25 mm	silver	2500 mm	9 209 400	1 set

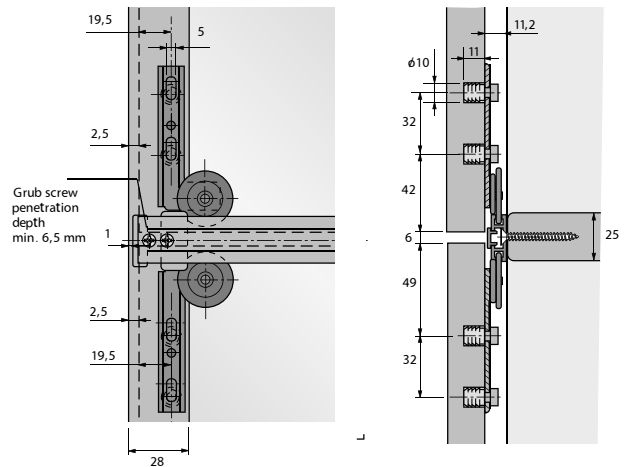
# Bottom-running sliding door system

## ▶ SlideLine 66

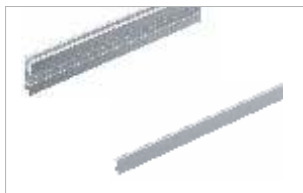
### Operating principle



- ▶ 1-track, bottom-running sliding door system
- ▶ Overlay door position
- ▶ Door weight up to 10 kg
- ▶ For aluminium / wooden and glass doors
- ▶ Two doors can run directly in front of each other
- ▶ Connection identical at top and bottom
- ▶ Optional invisible profile attachment



### System Components



#### Runner profile:

- ▶ For top and bottom mounting
- ▶ Aluminium, silver anodised

#### Cover profile:

- ▶ Clips into the runner profile for screw-mounting
- ▶ Length 3000 mm, Plastic, grey



#### For wooden & aluminium-frame profiles

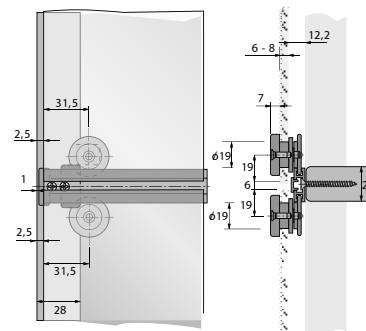
##### Set comprises:

- ▶ 4 running and guide components
- ▶ 4 end stops
- ▶ 4 end caps
- ▶ Fixing material

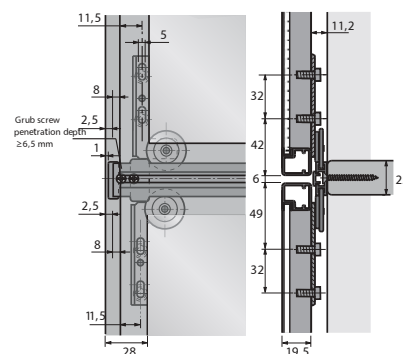


#### For Glass door set: Set comprises:

- ▶ 4 running and guide components
- ▶ 4 discs for running and guide components, including washers, bushings and cover caps
- ▶ 4 end stops, 4 end caps & Fixing material



Operating principle for Glass door



Operating principle for Aluminium-framed door

### SlideLine 66, set

Description	Unit	Order no.	PU
SlideLine 66 Runner profile- 3000mm	Pc	0 020 142	4
SlideLine 66 Cover profile- 3000mm	Pc	0 020 143	4
SlideLine 66 Wood / Alu. set	Set	0 020 145	1

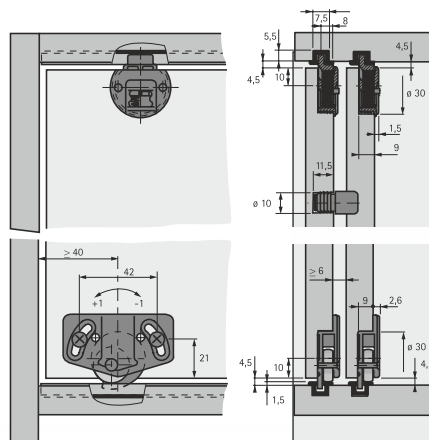
# Bottom-running sliding door system

## ▶ SlidLine 55

### Operating principle



- ▶ 2-track, bottom running sliding door system
- ▶ Inset door position
- ▶ For wooden doors
- ▶ Door weight up to 15 kg with plastic profiles
- ▶ Door weight up to 30 kg with aluminium profiles
- ▶ Door height up to 1500 mm
- ▶ Door width 400 - 2000 mm
- ▶ Door thicknesses 16 - 19 mm
- ▶ Height adjustment +/- 1 mm
- ▶ Tested to EN 15706, Level 3



### System Components



#### Guide components with spring-loaded bolt:

- ▶ 2 guide components must be fitted per door plastic
- ▶ Runner profiles



#### Press-in door stop / spacer:

- ▶ For max. door weight 15 kg
- ▶ Only in combination with the plastic profile
- ▶ 1 door stop / spacer required for 2-door unit
- ▶ Plastic, brown



#### Screw-on running component:

- ▶ Height-adjustable
- ▶ With axle on dual bearings
- ▶ 2 running components must be fitted per door
- ▶ Plastic, brown



#### Screw-on door stop / spacer:

- ▶ For max. door weight 30 kg
- ▶ 1 door stop / spacer required for 2-door unit
- ▶ Galvanised steel



#### Press-in running component:

- ▶ For max. door weight 15 kg
- ▶ Only in combination with the plastic profile
- ▶ 2 running components must be fitted per door
- ▶ Plastic, brown
- ▶ Runner profiles



#### Silent System soft-close system:

- ▶ Can only be used in conjunction with wooden doors or wooden-framed doors
- ▶ Max. door weight 20 kg/door

### SlidLine 55, set

Description	Unit	Order no.	PU
SlidLine 55 profile- 4000 mm, Brown PVC	Pc	0 025 121	20
SlidLine 55 Runner Part 15kg /Door PVC	Pc	0 025 122	100
SlidLine 55 Guide Part PVC Spring Loaded	Pc	0 025 123	100
SlidLine 55 Door Stopper Press-In Brown	Pc	0 047 392	100
Silent system for SlidLine 55 to be used in conjunction with wooden doors	Set	9 079 731	1



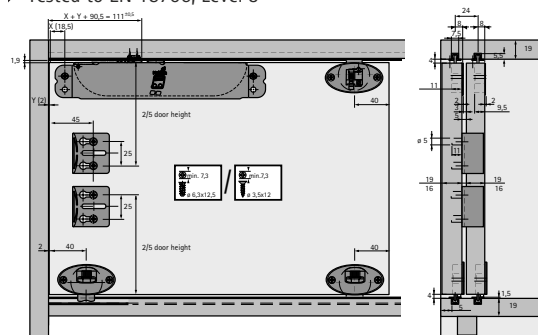
# Bottom-running sliding door system

## ▶ SlidLine 55 plus

### Operating principle



- ▶ 2-track, bottom running sliding door system
- ▶ Inset, overlay door position
- ▶ For wooden doors
- ▶ Door weight up to 15 kg with plastic profiles
- ▶ Door weight up to 30 kg with aluminium profiles
- ▶ Door height up to 1500 mm
- ▶ Door width 400 - 2000 mm
- ▶ Door thicknesses 16 - 19 mm
- ▶ Height adjustment +/- 1.5 mm, tool-less
- ▶ Tested to EN 15706, Level 3



### System Components



#### Runner and guide profiles:

- ▶ Plastic profiles: max. door weight 15 kg
- ▶ Aluminium profiles: max. door weight 30 kg
- ▶ Length 4000 mm (Inset)



#### Screw-on guide component for cabinets with 2 inset doors:

- ▶ 2 guide components must be fitted per door
- ▶ With spring-loaded bolt and latch
- ▶ Plastic, grey



#### Screw-on running component for cabinets with 2 inset doors:

- ▶ Toolless height adjustment  $\pm 1.5$  mm
- ▶ 2 running components must be fitted per door
- ▶ Plastic, grey



#### Silent System soft-closing function for SlidLine 55 Plus overlay (rebated)

- ▶ 1 door / spacer required for 2-door cabinet with a door height < 1,000 mm
- ▶ 2 door stops / spacers are required for a 2-door with a door height > 1,000 mm
- ▶ Plastic, grey



#### Self closing mechanism:

- ▶ Self closing mechanism is not required when using Silent System
- ▶ Can be used for left and right hand door
- ▶ 2 self closing mechanisms must be fitted per door
- ▶ Attached by means of premounted nails
- ▶ Plastic, grey



#### Silent System for SlidLine 55 Plus inset:

- ▶ Suitable for inset wooden doors
- ▶ Installed position: left or right
- ▶ Min door width with soft closing: 400 mm
- ▶ Min door width with soft closing and soft opening: 550 mm
- ▶ Housing: metal, galvanised
- ▶ Interior: plastic, grey



#### Screw-on door stop/spacer:

- ▶ Suitable for overlay (rebated) wooden doors
- ▶ Installed position: left or right
- ▶ Min door width with soft closing: 400 mm
- ▶ Min door width with soft closing and soft opening: 550 mm
- ▶ Housing: metal, galvanised
- ▶ Interior: plastic, grey



#### Activator for Silent System

- ▶ Can be used for left and right-hand door
- ▶ 1 activator must be fitted per Silent System unit
- ▶ Attached by means of premounted nails
- ▶ Plastic, grey

### SlidLine 55 Plus, set

Description	Unit	Order no.	PU
Runner Et guide profile Alu 4000 mm	Pc	1 057 668	4
Guiding part STB 55 plus	Pc	9 115 217	100
SL 55 plus running part	Pc	9 115 219	100
Spacer STB 55 plus	Pc	9 115 216	100
Silent system SL 55 plus left	Pc	9 119 584	30
Silent system SL 55 plus right	Pc	9 119 585	30
Assembly activator sisy SL 55	Pc	9 118 477	300



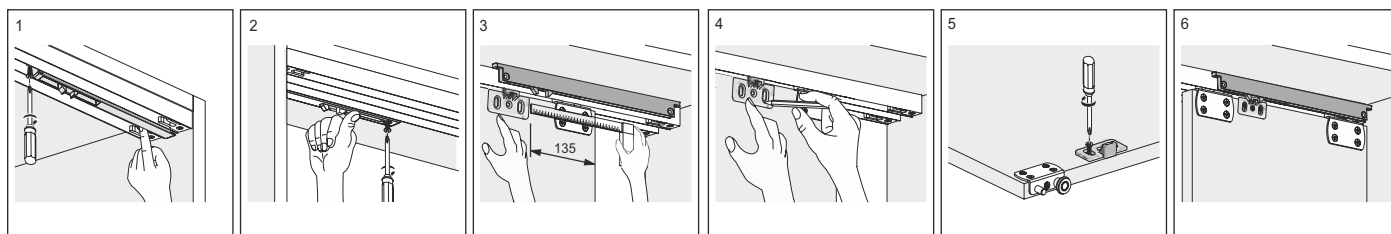
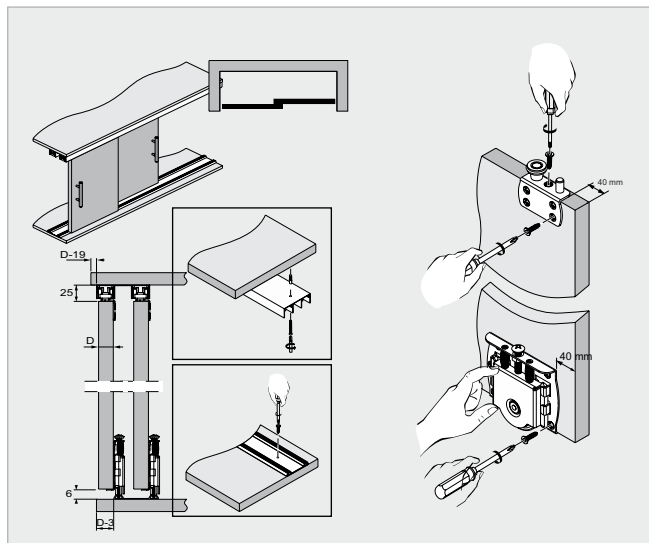
# Bottom-running sliding door system

## ▶ SlidLine 16

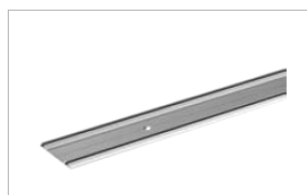
### Operating principle



- ▶ Two track aluminium profiles for screwing on
- ▶ No routing, no drilling
- ▶ Length 3000 mm, 2000 mm
- ▶ For max. door weight of 60 kg
- ▶ Soft opening/ Soft Closing with improved version of dampener.
- ▶ For wooden doors (16 - 24 mm)
- ▶ Bottom running sliding door system



### System Components



#### Runner profile Slide Line 16

- ▶ Two track profile
- ▶ Screw-on
- ▶ Profile length 2000 mm, 3000 mm
- ▶ Aluminium



#### Runner profile Slide Line 16

- ▶ Two track profile
- ▶ Screw-on
- ▶ For max. door weight of 60 kg
- ▶ Profile length 2000 mm, 3000 mm
- ▶ Aluminium



#### Mounting kit for Slide Line 16

- ▶ Contains screw on running and guide components for one wardrobe with two sliding doors
- ▶ Including door stop and fixing material



#### Soft close for Slide Line 16

- ▶ Two track profile
- ▶ Screw-on
- ▶ For max. door weight of 60 kg
- ▶ Aluminium

### Item Description

<b>SlideLine 16: 2 Door for Wooden doors with 2 m screw on track - Weight 60 kg per door;</b>			
	Unit	Order no.	PU
SL 16- Fitting Set	Set	9 226 025	1
SL 16- Profile Set Screw 2000 mm	Set	9 239 411	1
Silent System	Set	9 226 028	1
<b>SlideLine 16: 2 Door for Wooden doors with 3 m screw on track - Weight 60 kg per door;</b>			
SL 16- Fitting Set	Set	9 226 025	1
SL 16- Profile Set Screw 3000 mm	Set	9 226 026	1
Silent System	Set	9 226 028	1

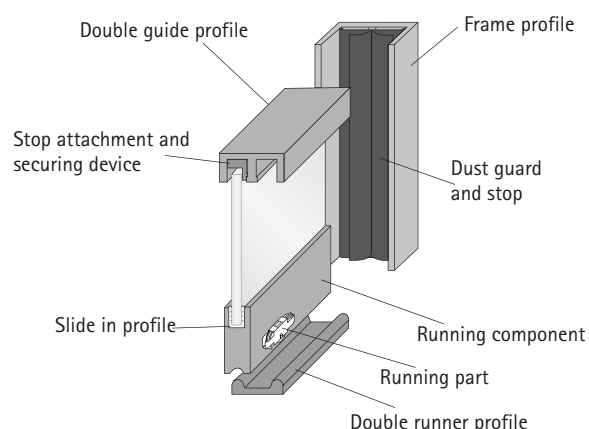
# Bottom-running sliding door system

## ▶ SlideLine 97

### Operating principle



- ▶ Door weight max. 25 kg or 50 kg per glass door
- ▶ Suitable for glass thicknesses 5, 6 and 8 mm
- ▶ Running components with plastic sheathed ball bearing
- ▶ Door height up to 2800 mm
- ▶ Door width 250 - 2500 mm
- ▶ Lockable with Prestige 2000 cylinder push lock
- ▶ Tested to EN 15706, Level 2



### System Components



#### System Components of SlideLine 97

- ▶ Guide Profile 2500 mm
- ▶ Running Shoe 2500mm
- ▶ Running Gear
- ▶ Stop & Securing Device
- ▶ Dust Prevention Profile 2500 mm
- ▶ Frame Runner Profile
- ▶ End Plate Chrome
- ▶ Running Shoe Handle
- ▶ Frame 2500 mm
- ▶ Slide in Profile for 6 mm
- ▶ Special Fitting Tool



### SlideLine 97

Description	Unit	Order no.	PU
SlideLine 97 Guide profile 2500 mm	Set	0 048 965	4
SlideLine 97 Running Shoe 2500 mm	Set	0 048 966	4
SlideLine 97 Running Gear	Pc	0 076 472	4
SlideLine 97 Stop & Securing Device	Set	0 076 475	10
SlideLine 97 Dust Prevention Profile 2500 mm	Pc	0 048 970	40
Frame Runner Profile	Pc	0 048 971	30
Double Runner rail 5000 mm	Pc	0 076 478	4
SlideLine 97 End Plate, Chrome	Pc	0 076 480	10
SlideLine 97 Running Shoe Handle	Pc	0 076 481	10
SlideLine 97 Frame 2500 mm	Pc	0 048 969	4
Slide in profile for 6 mm	Pc	0 048 968	4
SlideLine 97 Special Fitting Tool	Pc	0 076 484	1
SlideLine 97 Adapter, Chrome (Optional Accessories)	Set	0 076 482	1
SlideLine 97 Pressure Plug Lock (Optional Accessories)	Set	0 076 483	1

# Vertically / Horizontally running sliding door systems

► Range summary / Technical comparison



	VerticoSynchro	VerticoMono	HorizonPlus
			
Page	158	159	160
Description	Vertically running system of synchronous-action sliding doors for two simultaneously opening doors	Vertically running sliding door system for one door	Swivel system for horizontal door opening
Number of tracks	1	1	-
Door movement	Vertical	Vertical	Horizontal
Design	Inset / overlay	Inset	Overlay
Door weight	15 kg max.	15 kg max.	20 kg max.
Door / door-frame material	Wood/wood, aluminium	Wood/wood, aluminium	Wood/wood, aluminium



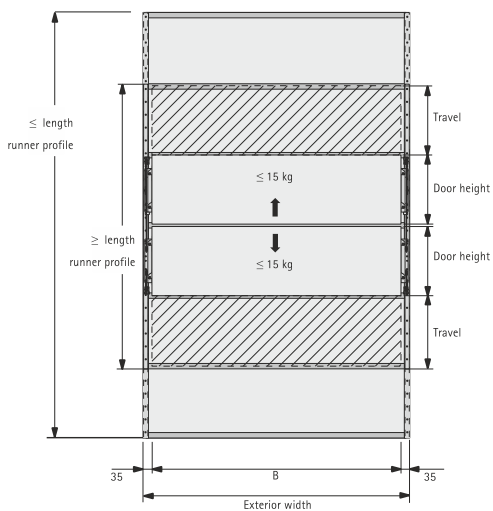
# Vertically running synchronous-action sliding door system

## ▶ Vertico Synchro

### Operating principle



- ▶ 1-track, vertically running sliding door system
- ▶ Overlay or inset door position
- ▶ For wooden doors or wood / aluminium-framed doors
- ▶ Door weight up to 15 kg
- ▶ Door height 300 - 600 mm
- ▶ Door width up to 1500 mm
- ▶ Length of runner profile 1200 to 2500 mm (can be individually shortened)



### System Components



Cover profile for runner profile left/right:

- ▶ Length 2500 mm
- ▶ Aluminium, silver anodised

Order no.	PU
0 020 400	2



Screw-on plates



Runner profile left, with pre-mounted mechanism



Screw-on plates



Runner profile left, with pre-mounted mechanism



Fixing element

### Vertico Synchro, set

Door height mm	Travel	Width mm	Length min. mm	Length max. mm	Order no.		PU
					Overlay	Inset	
300 - 400	300	1500	1200	2500	0 020 383	0 020 392	1 set
350 - 400	350	1500	1400	2500	0 020 384	0 020 393	1 set
400 - 600	400	1500	1600	2500	0 020 386	0 020 395	1 set
450 - 600	450	1500	1800	2500	0 020 387	0 020 396	1 set
500 - 600	500	1500	2000	2500	0 020 388	0 020 397	1 set

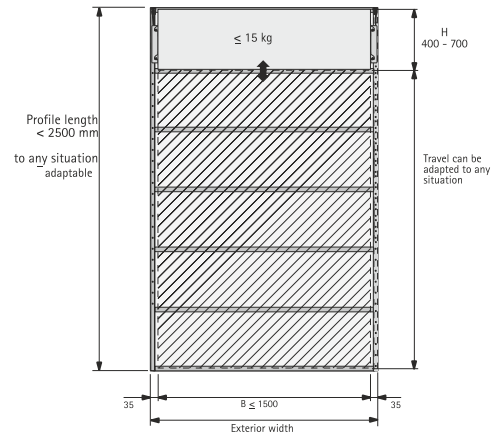
# Vertically running system of synchronous

## ▶ Vertico Mono

### Operating principle



- ▶ 1-track, vertically running sliding door system
- ▶ Inset door position
- ▶ For wooden doors or wood & aluminium- framed doors
- ▶ Door weight up to 15 kg
- ▶ Door width up to 1500 mm
- ▶ Door height 400- 700 mm
- ▶ Length of runner profile (can be shortened as required) 2500 mm
- ▶ Counterweight in individually selectable materials runs behind the carcass rear panel
- ▶ Tested according to EN 15706, Level 3



### System Components



- ▶ Set contains all the parts required for vertically running wood or aluminium-framed sliding door
- ▶ Set includes runner profiles, length 2500 mm, can be individually shortened as required for door height and travel
- ▶ For cover profiles
- ▶ Note: The counterweight and door weight (including handle) must be identical

#### Set comprises:

- ▶ 2 runner profiles with premounted running components
- ▶ 4 guide components
- ▶ 2 guide components for counterweight
- ▶ 8 screw on plates
- ▶ 2 diverter rollers
- ▶ Fixing material



**Cover profile for runner profile left/right:**  
 ▶ Length 2500 mm  
 ▶ Aluminium, silver anodised



**Cover profile for covering the cable pull at the side**  
 ▶ Length 600mm  
 ▶ Aluminium, silver anodised

### Vertico Mono, set

Description	Unit	Order no.	PU
Vertico Mono Cover Profile 2500mm Alu./SI	Pc	0 020 400	1
Set Vertico Mono	Set	0 045 315	1
Cover Profile	Set	0 045 316	1

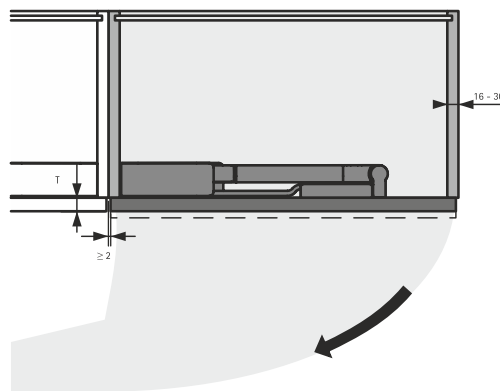
# Swivel door system

## ► Horizon Plus

### Operating principle



- For wooden doors or wood / aluminium framed doors
- Door weight 20 kg max.
- Door height 2600 mm max.
- Door width 400 - 700 mm
- Door sets 400 - 475 mm = no door protrusion up to 445 mm door width
- Door sets 475 - 700 mm = no door protrusion up to 583 mm door width
- Door width max. 700 mm (door protrusion 100 mm)
- Installed depth 60 mm min.
- 3-dimensional front panel adjustment (height + 4 mm, side +/- 2 mm, tilt + 4 mm)



### System Components



#### Set, HorizonPlus for one door:

##### Set comprises:

- 1 swivel fitting for one door
- 1 connecting rail
- Fixing material
- Die-cast zinc, aluminium



#### Centre hinge:

- Optional, can be used to stabilize the fitting on tall doors

##### Set comprises:

- 1 centre hinge
- 1 adapter for attaching to the door
- Fixing material
- Zinc, die-cast



#### Positioning plate:

- Optional, for stabilising the carcass when fitted with heavy doors

- 1 set is required per door

- Zinc, die-cast

##### Set comprises:

- 2 positioning panels
- Fixing material




### Horizon Plus, set

Description	Unit	Order no.	PU
Horizon Plus H2570 mm/475-700W (Max 20 kg per door)	Set	0 048 078	1
Horizon Plus H2570 mm/400-515W (Max 20 kg per door)	Set	9 080 210	1

# Folding door system

► Range summary / Technical comparison



	WingLine 230	Wing 77	WingLine 170
			
Page	163	164	165
Description	Side mounted folding door system with runner profile at top for large doors	Folding door system without side mounting, with runner / guide profile at top / bottom, for folding doors that move freely in front of the carcass	Side mounted folding door system with runner bar at top
Number of door wings	2	2 or 4	2
Door wing weight	20 - 25 kg	25 kg max. for 2 door wings, 20 kg max. for 4 door wings	Depends on hinges
Side mounting	Yes	No	Yes
Door material	Wood	Wood	Wood / wood, wood / aluminium
Door wing width mm	600 mm max.	500 mm max. for 2 door wings, 400 mm max. for 4 door wings	300 mm max.
Door wing height mm	3000 mm max.	2400 mm max.	2200 mm max.

# Folding door system

► Range summary / Technical comparison



	WingLine L	Grant 1260
Page	166-167	168
Description	Side mounted folding door system with runner bar at top	Top-running sliding-folding door system for room dividers
Number of door wings	2 or 4	2
Door wing weight	25 Kg max	80 kg max.
Side mounting	Yes	Yes
Door material	wood	Wood
Door wing width mm	250- 600 mm	-
Door wing height mm	1000-2400 mm	-



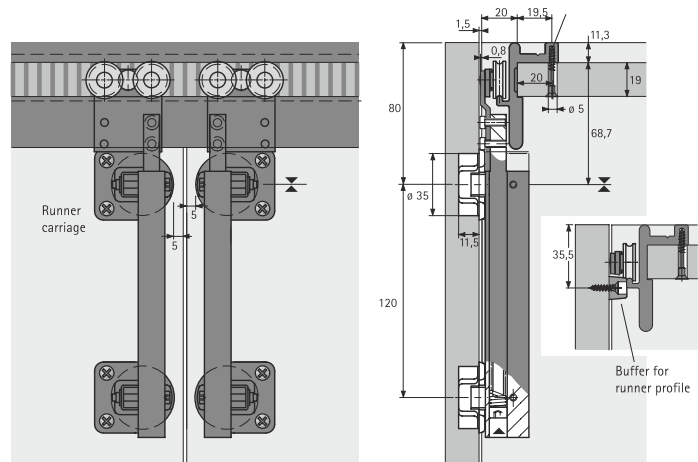
# Folding door system

▶ WingLine 230 / side mounted

## Operating principle / 1 folding door with 2 panels



- ▶ For 1 folding door with 2 panels
- ▶ Overlay door position
- ▶ For wooden doors
- ▶ Suitable for use with soft-closing Sensys hinge
- ▶ Door panel weight 20 to 25 kg
- ▶ Door height up to 3000 mm
- ▶ Door-panel width up to 600 mm
- ▶ Tested with 40000 cycles



## System Components



- Running component:**
- ▶ Quantity for 2 folding doors with 2 panels each- 2
  - ▶ Quantity for 1 folding door with 2 panels- 1



- Buffer:**
- ▶ Quantity for 2 folding doors with 2 panels each- 2
  - ▶ Quantity for 1 folding door with 2 panels left- 1
  - ▶ Quantity for 1 folding door with 2 panels right- 1



- Folding door hinge with pre-fitted sockets  $\varnothing$  10 x 11 mm:**
- ▶ Quantity for 2 folding doors with 2 panels each- 10
  - ▶ Quantity for 1 folding door with 2 panels left- 5
  - ▶ Quantity for 1 folding door with 2 panels right- 5



- Buffer:**
- ▶ Quantity for 2 folding doors with 2 panels each- 2
  - ▶ Quantity for 1 folding door with 2 panels left- 1
  - ▶ Quantity for 1 folding door with 2 panels right- 1



- Fixing screw  $\varnothing$  3.6 x 28 mm:**
- ▶ Quantity for 2 folding doors with 2 panels each- 9
  - ▶ Quantity for 1 folding door with 2 panels left- 5
  - ▶ Quantity for 1 folding door with 2 panels right- 5



- Runner profile:**
- ▶ For 19 mm top shelf
  - ▶ Screw-on version
  - ▶ Length 2400 mm
  - ▶ Aluminium, anodised black / powder-coated white

## WingLine 230, set

Description	Unit	Order no.	PU
WingLine 230 RunnerTrack 2400 mm White Alu.	Pc	0 079 013	1
WingLine 230 Set 4 Wings 25kg /Door	Set	0 079 015	1

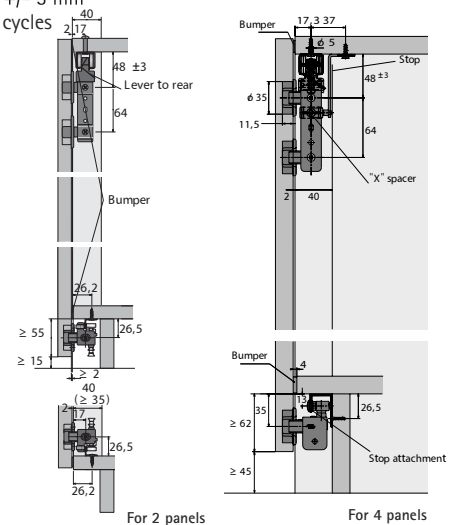
# Folding door system

▶ Wing 77 / freely moveable

## Operating principle / 1 folding door with 2 panels & 1 folding door with 4 panels



- ▶ For one folding door with 2 or 4 panels
- ▶ Overlay door position
- ▶ For wooden doors
- ▶ Center panels recessed 40 mm
- ▶ Door panel weight up to 20 kg (25 kg) with 4 (2) door panels
- ▶ Door height up to 2400 mm
- ▶ Door panel width up to 400 mm (500 mm) with 4 (2) door panels
- ▶ Height adjustment +/- 3 mm
- ▶ Tested with 40000 cycles



## System Components



- ▶ Set contains all the parts required for 1 folding-sliding door with 2 & 4 panels
- ▶ For system parts
- ▶ Note: The inside carcass width of 800 mm should not be exceeded. The top panel must be designed so that it cannot sag by more than 1.5 mm under the weight of the folded doors.

### Set comprises for 2 wings:

- ▶ 2 tandem running components for fast assembly
- ▶ 2 supports for running component with + / - 5 mm height-adjustment capability
- ▶ 2 guide components and centre guide components
- ▶ 8 clip-on centre hinges, 4 spacers, 4 end stops
- ▶ 4 damping felts (to buffer doors against the carcass) For positioning at the top and bottom on each door panel & Fixing material

### Set comprises for 4 Wings:

- ▶ 4 tandem running components for fast assembly
- ▶ 4 supports for running component with + / - 5 mm height-adjustment capability
- ▶ 1 spacer spindle for tandem running component
- ▶ 3 guide components and centre guide component
- ▶ 2 latch plates, 16 clip-on centre hinges, 4 spacers, 4 end stops
- ▶ 8 damping felts (to buffer doors against the carcass) For positioning at the top and bottom on each door panel & Fixing material

## Wing 77, set

Description	Unit	Order no.	PU
Wing 77 Guide Profile 3200 SE	Pc	0 070 985	4
Runner Profile 3200 mm Aluminium Silver Anodised	Pc	9 193 574	4
Wing 77 Set 2 Wings 25kg / Door	Set	0 070 986	1
Wing 77 Set 4 Wings 20kg / Door	Set	0 070 987	1

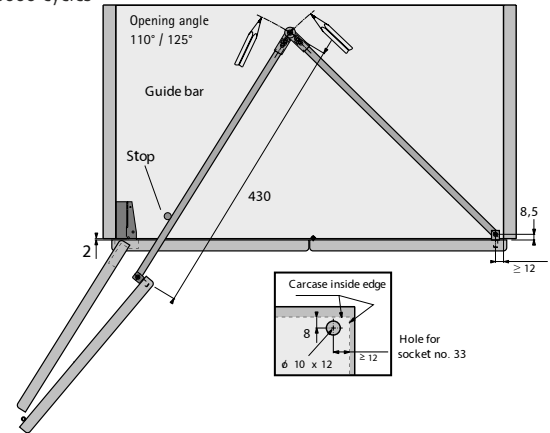
# Folding door system

▶ WingLine 170 / side mounted

## Operating principle



- ▶ For 1 folding door with 2 panels
- ▶ Guide bar mounted on top panel
- ▶ Overlay door position
- ▶ For wooden doors or wood / aluminium-framed doors
- ▶ Suitable for use with soft-closing Sensys hinge
- ▶ Door panel weight depends on hinges
- ▶ Door height up to 2200 mm
- ▶ Door-panel width up to 300 mm
- ▶ Opening angle up to 170°
- ▶ Runner bar only approx. 10 mm thick
- ▶ Tested with 40000 cycles



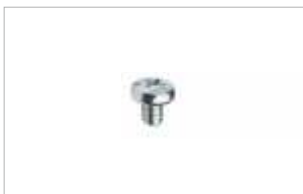
## System Components



**Guide bar with base:**  
▶ Quantity for 1 folding door- 1



**Adjustment element for guide bar:**  
▶ Quantity for 1 folding door- 1



**Panhead Screw M5:**  
▶ Quantity for 1 folding door- 1



**Socket M5 x 11 mm for folding door hinge 625:**  
▶ Quantity for 1 folding door- 1



**Stop:**  
▶ Quantity for 1 folding door- 1



**Centre hinge:**  
▶ Centre hinge 625 is particularly suitable for use with folding doors  
▶ Favourable running properties due to abrasion-resistant distance rings with swivel bearing  
▶ With fixed steel pin  
▶ Steel

## WingLine 170, set

Description	Unit	Order no.	PU
WingLine 170, set	Set	0 074 658	1
Folding door hinge 625	Pc	0 071 648	10

Centre hinges refer page no: 27

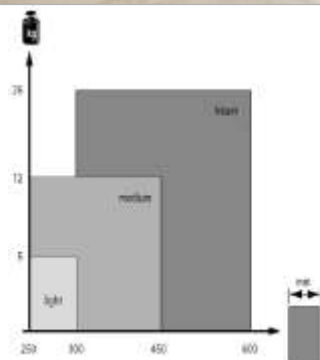
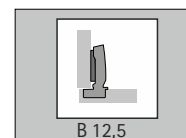
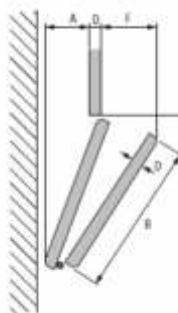
# Folding door system

▶ WingLine L - The fast and easy way to the right article

## Operating principle



- ▶ For one folding door with 2 wings
- ▶ Overlay door position
- ▶ For wooden doors
- ▶ Push / Pull to move
- ▶ Suitable for use with Sensys hinge with Silent System
- ▶ Door wing weight up to 25 kg
- ▶ Door height up to 2400 mm
- ▶ Door wing width up to 600 mm
- ▶ Tested with 40000 cycles



	D	B	A	F
	16	250	31	58
300		41	58	58
450		73	58	58
600		104	58	58
18/19	250	31	61	61
	300	41	61	61
	450	73	61	61
	600	104	61	61
22	250	31	64	64
	300	41	64	64
	450	73	64	64
	600	104	64	64
25	250	31	67	67
	300	41	67	67
	450	73	67	67
	600	104	67	67

Sensys 8645i/8675 (effective opening angle 110°) Full overlay hinge

For Push to move and Pull to move to work perfectly in conjunction with every door size and weight, the modules are available in various capacity classes. Choose the right set for your particular application.

## System Components



### Runner and guide profile :

- ▶ Runner profile
- ▶ Guide profile for installing on the plinth or under the plinth



### Push to move/Pull to move:

- ▶ Mechanical, soft opening of the door panel set
- ▶ 3 force options depending on door panel width and weight



### Runners:

- ▶ Tool-less fast installation
- ▶ Running component for door panel weight up to 25 kg
- ▶ Running component for door panel weight up to 12 kg



### Carcass hinges

- ▶ Sensys 110° or 95°, with or without self closing feature



- ▶ Set Mechanical Catch Grey

Order no.	PU
9 264 191	1

## Operating principle / 1 folding door with 2 panels & 1 folding door with 4 panels



### Guide component:

- ▶ Tool-less fast installation
- ▶ Installation on the plinth
- ▶ Installation under the plinth



### Intelligent installation accessories:

- ▶ Profile installation
- ▶ Positioning centre hinges
- ▶ Positioning Push/Pull to move



### Centre hinge

- ▶ 2 part
- ▶ Tool-less fast installation

## Folding door system

► WingLine L - The fast and easy way to the right article

Wingline L Push to move - Weight 5 kg to 12 kg per wing ; Max Door Dimensions : 2400 mm Height & 600 mm Door Wing Width (Order Hinges Separately )			
Description	Unit	Order no.	PU
Wing Line LKit - Left	Pc	9 237 901	1
Wing Line LKit - Right	Pc	9 237 900	1
Push to Move Mechanisms Medium- Left	Pc	9 238 051	1
Push to Move Mechanisms Medium- Right	Pc	9 238 101	1
Runner Profile - 2400 mm	Pc	9 237 917	1
Profile Mounting Clip	Pc	9 237 758	1
Wingline L Push to move - Weight 12 kg to 25 Kg per wing ; Max Door Dimensions : 2400 mm Height & 600 mm Door Wing Width (Order Hinges Separately )			
Wing Line LKit - Left	Pc	9 237 880	1
Wing Line L Kit - Right	Pc	9 237 881	1
Push to Move Mechanisms Heavy - Left	Pc	9 238 052	1
Push to Move Mechanisms Heavy - Right	Pc	9 238 053	1
Runner Profile - 2400 mm	Pc	9 239 310	1
Wingline L Pull to move - Weight 5 kg to 12 kg per wing ; Max Door Dimensions : 2400 mm Height & 600 mm Door Wing Width (Order Hinges Separately )			
Wing Line LKit - Left	Pc	9 237 901	1
Wing Line L Kit - Right	Pc	9 237 900	1
Pull to move Mechanisms Medium- Left	Pc	9 238 115	1
Pull to move Mechanisms Medium- Right	Pc	9 238 116	1
Runner Profile - 2400 mm	Pc	9 237 917	1
Profile Mounting Clip	Pc	9 237 758	1
Wingline L Pull to move - Weight 12 kg to 25 Kg per wing ; Max Door Dimensions : 2400 mm Height & 600 mm Door Wing Width (Order Hinges Separately )			
Wing Line LKit - Left	Pc	9 237 880	1
Wing Line L Kit - Right	Pc	9 237 881	1
Pull to move Mechanisms Heavy - Left	Pc	9 238 125	1
Pull to move Mechanisms Heavy - Right	Pc	9 238 114	1
Runner Profile - 2400 mm	Pc	9 239 310	1
Wingline L Pull to move Silent - Weight 5 kg to 12 kg per wing ; Max Door Dimensions : 2400 mm Height & 600 mm Door Wing Width (Order Hinges Separately )			
Wing Line LKit - Left	Pc	9 237 903	1
Wing Line L Kit - Right	Pc	9 237 902	1
Pull to move Mechanisms Medium- Left	Pc	9 238 121	1
Pull to move Mechanisms Medium- Right	Pc	9 238 124	1
Runner Profile - 2400 mm	Pc	9 237 917	1
Profile Mounting Clip	Pc	9 237 758	1
Wingline L Pull to move Silent - Weight 12 kg to 25 Kg per wing ; Max Door Dimensions : 2400 mm Height & 600 mm Door Wing Width (Order Hinges Separately )			
Wing Line LKit - Left	Pc	9237852	1
Wing Line L Kit - Right	Pc	9237890	1
Pull to move Silent Mechanisms Heavy - Left	Pc	9238123	1
Pull to move Silent Mechanisms Heavy - Right	Pc	9238122	1
Runner Profile - 2400 mm	Pc	9239310	1



# Folding door system

► Grant 1260

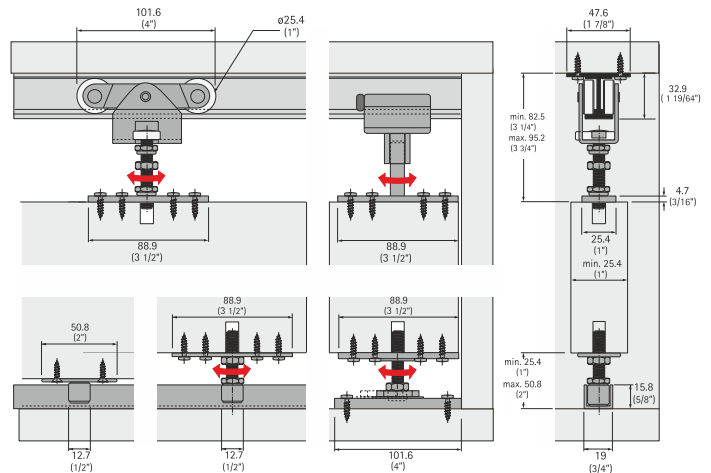
## Operating principle



- Heavy duty folding door system for 1" minimum doors up to 175 lbs/door (80 kg/door).
- Precision ball-bearing wheels for quiet, effortless operation
- Conforms to ANSI/BHMA standards
- Accepts full size jamb doors
- Made in USA

There are two types of installations:

- One way: where doors open from one side and fold to the opposite side
- Bi-parting: where doors open from the center and fold to both sides



## System Components



- Single track 1201:**
- Aluminum extruded



- Guide roller 1221:**
- Screws included
  - Steel, adjustable



- Carrier 1205:**
- Steel, four wheels, precision bearings, with pendant bolt and top plate
  - Screws included



- Guide channel 1222:**
- Aluminum extruded



- Guide roller 1211:**
- Steel, adjustable
  - Screws included



- Top pivot clamp assembly 1255:**
- Aluminum extruded with rubber bumper

## Grant 1260, set

Description	Unit	Order no.	PU
TopLine 1230/ WingLine 1260 "Grant" Runner 3000mm Alu.	Pc	0 050 125	4
TopLine 1230/ WingLine 1260 "Grant" Runner 3600mm Alu.	Pc	0 050 126	4
Wing-Line 1260 Kit for 1 Fold 80Kg /Door	Set	1 133 284	1
Wing-Line 1260 Guide Track 3000 mm Alu.	Pc	0 050 146	4
Wing-Line 1260 Guide Track 3600 mm Alu.	Pc	0 050 147	4
Guide Rollers 1221	Pc	0 050 141	1

# Sliding and folding door systems

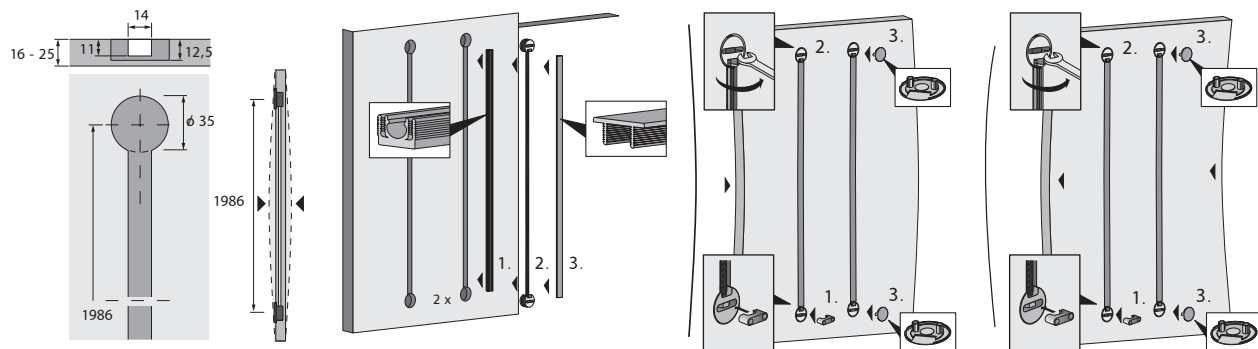
- ▶ Accessories
- ▶ Adjustment fitting, aluminium & plastic

## Adjustment fitting, aluminium



- ▶ For straightening distorted furniture doors / fronts on sliding and hinged-door cabinets as well as wide flaps on wall units
  - ▶ Can also be used as a precautionary measure to prevent doors from warping
  - ▶ For doors/fronts 16 - 25 mm thick
  - ▶ Maximum door / front height 2600 mm
  - ▶ Length of threaded rod 2000 mm, can be shortened as required
  - ▶ 2 adjustment fittings must be installed per door/front
  - ▶ Fast, screwless installation and adjustment requiring just one hand
  - ▶ Patented system with encapsulated threaded rod
  - ▶ For silent door / front movement
  - ▶ Covers for 35 mm  $\phi$  holes, silver plastic
  - ▶ Covers for groove, aluminium, silver anodised
- Set comprises:**
- ▶ 2 adjustment fittings

Description	Order no.	PU
Door bend adjustment rod fitting	9 117 303	1

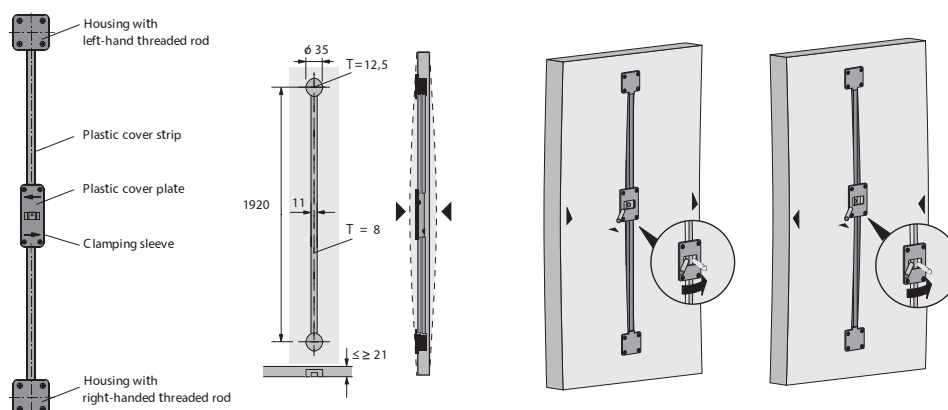


## Adjustment fitting, Plastic



- ▶ Straightens doors in thicknesses over 16 mm and heights up to 2600 mm
  - ▶ The adjustment fitting can also be used to prevent the door from warping
  - ▶ It is recommended to use 2 fittings per door
  - ▶ Installing the fitting is simple and straightforward: a pair of threaded rods, one with a right-hand thread and one with a left-hand thread, are fed into a clamping sleeve
  - ▶ Each of the threaded rods is additionally supported in a housing that slots into a 35 mm hole where it is screwed into place
- Set comprises:**
- ▶ 1 housing with right-hand threaded bar, 1 housing with left-hand threaded bar
  - ▶ 1 clamping sleeve, 1 plastic cover plate
  - ▶ 2 plastic cover strips, 2 retainers for cover strips

Description	Order no.	PU
Door bend adjustment rod fitting (fixed PU)	0 045 198	1



# Sliding and folding door systems

## ► Accessories

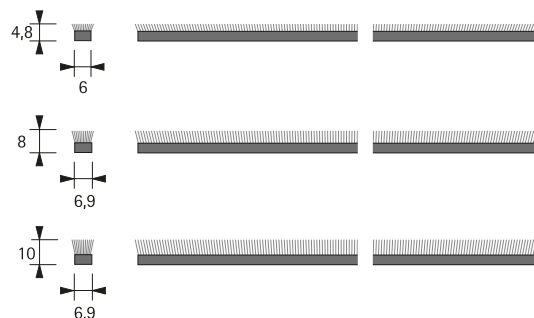
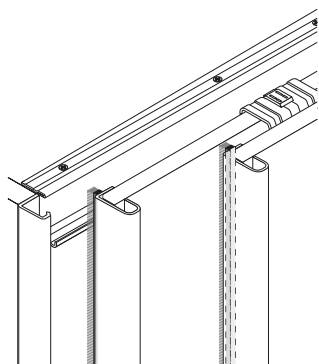
### Brush sealing strip



- For dust proof covers
- Length 2500 mm
- Self adhesive
- Grey

Height mm	Quantity for 2-door	Quantity for 3-door	Order no.	PU
8	3	4	9 200 386	1 ea.

### Installation / dimensional drawing



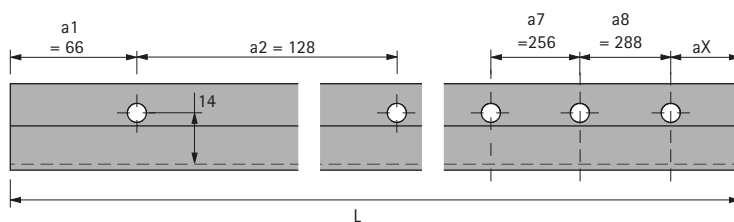
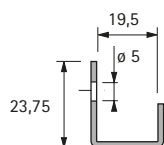
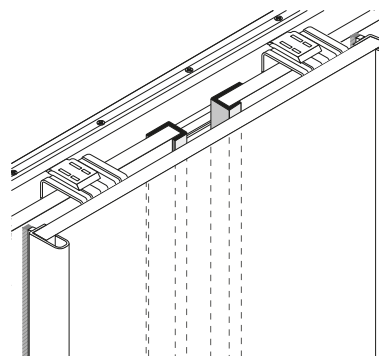
### Door end profile, U shaped



- Predrilled
- For door thicknesses of 18-19 mm

Material	Finish	Length mm	Quantity for 3-door	Order no.	PU
Aluminium	Silver anodized	2050	2	9 136 108	1 ea.

### Installation / dimensional drawing



# Sliding and folding door systems

## ► Accessories

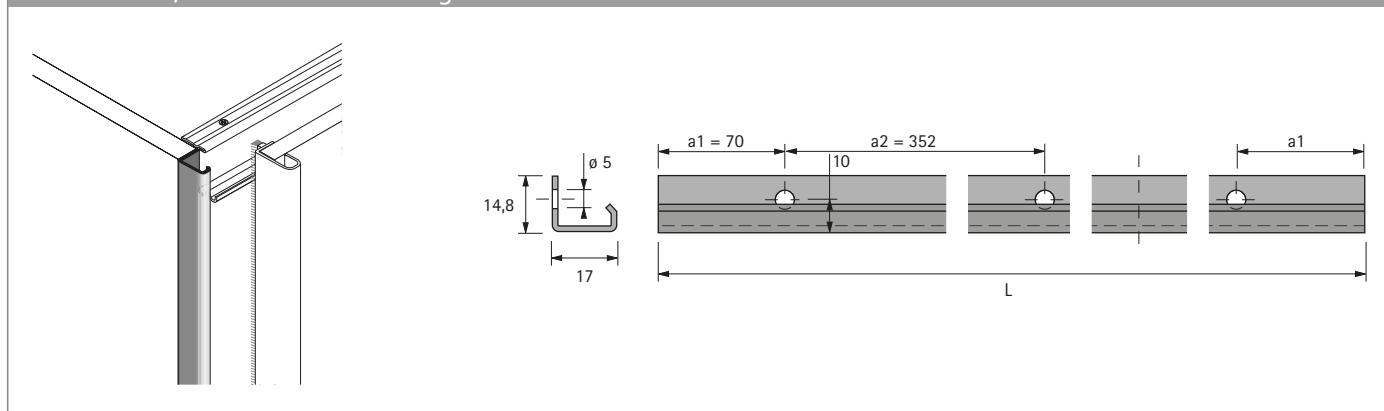
### Carcase end profile for rear most door



► Predrilled

Material	Finish	Length mm	Quantity for 2-door	Quantity for 3-door	Order no.	PU
Aluminium	Silver anodized	2100	1	2	9 117 462	1 ea.

### Installation / dimensional drawing



### Carcase end profile for front most door



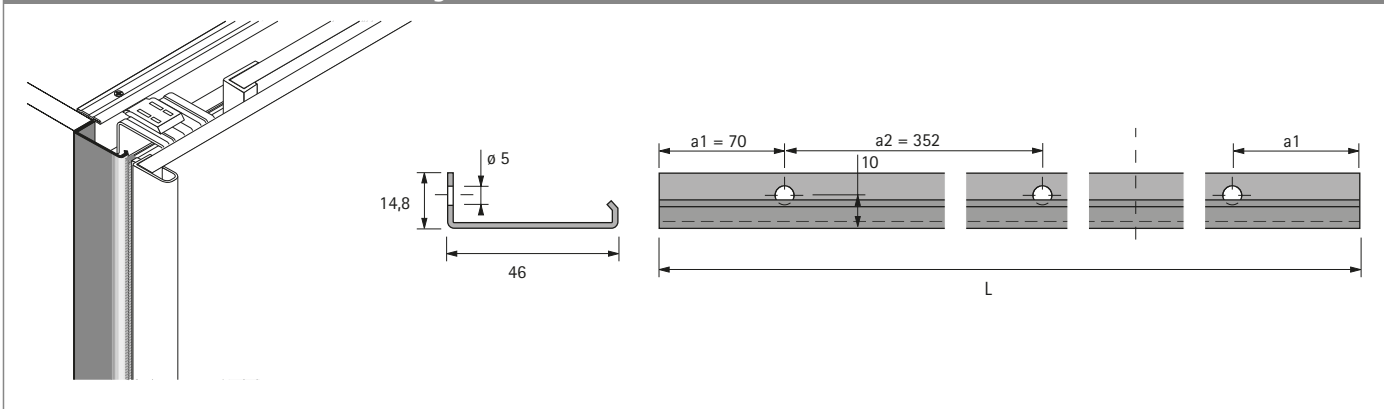
► Predrilled

Advice:

► Customised lengths on request

Material	Finish	Length mm	Quantity for 2-door	Order no.	PU
Aluminium	Silver anodized	2100	1	9 117 463	1 ea.

### Installation / dimensional drawing



# Sliding and folding door systems

## ► Accessories

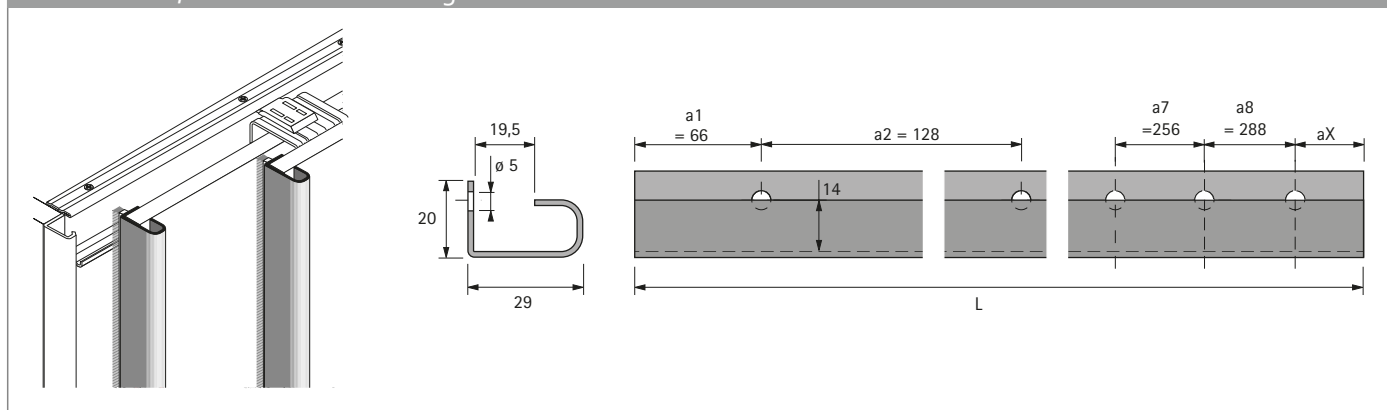
### Door profile



- Predrilled
- For door thicknesses of 18-19 mm

Material	Finish	Length mm	Quantity for 2-door	Quantity for 3-door	Order no.	PU
Aluminium	Silver anodized	2500	3	4	9 136 121	1 ea.

### Installation / dimensional drawing



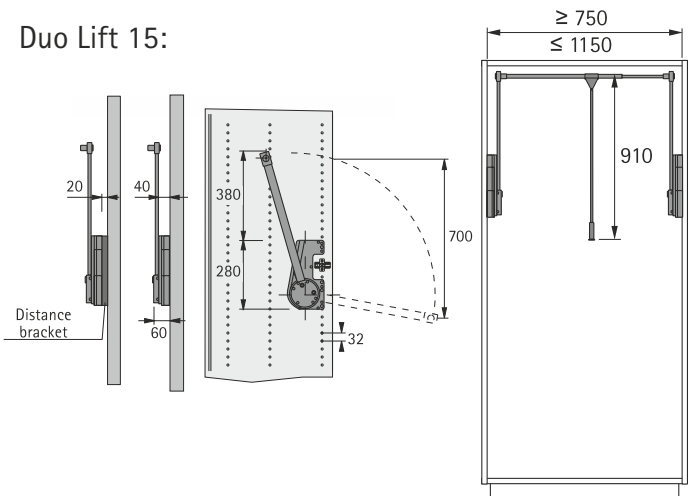


## Garment lifts



- ▶ Connection on both sides
- ▶ Loading capacity 10 Kg / 15 Kg / 12-18 Kg
- ▶ Telescopic width adjustment for inside carcass widths of 750 - 1150 mm
- ▶ Installation in System 32
- ▶ Special recess in the housing also permits installation in the area of existing door hinges
- ▶ Spring force adjustment in 4 stages for duo lift 18
- ▶ Optional spacer for bridging door protrusion
- ▶ Garment rail: chrome-plated steel
- ▶ Housing, pivot arm and spacer: Plastic / steel, aluminium effect

### Duo Lift 15:



Description	Order no.	PU
Duo Lift 15	0 042 507	1 ea.
Duo Lift 18	9 079 882	1 ea.
Duo Lift 10	9 079 878	1 ea.

## Wardrobe tube rail (Integrated LED light system)



- ▶ Lighted Wardrobe rail with integrated LED technology and movement (PIR) Sensor switch
- ▶ The PIR sensor switch switches off 30 seconds after last moment has been detected
- ▶ The light stays switched on as long as there is any movement detected

Description	Order no.	PU
LED Lite Pipe 12V 1000 mm Warm White	9 150 406	1 Pc
LED Lite Pipe 12V 1200 mm Warm White	9 150 407	1 Pc
LED Lite Pipe 12V 1000 mm Cool White	9 150 408	1 Pc
LED Lite Pipe 12V 1200 mm Cool White	9 150 409	1 Pc
LED - Transformer 12VDC 6W	9 162 787	1 Pc

## Wardrobe Rail Accessories



Transformer Unit- 12v DC 6W



2 X wardrobe rail supports

### Note :

- 1) Wardrobe Tube length can be cut to size from one side, to suit the requirement.
- 2) Transformer need to be ordered separately along with wardrobe tube.
- 3) A Set of wardrobe support with screws is the part of Wardrobe tube unit.

**IP Class:** Ip20  
**Safety Class:** 3  
**ESD tested:** 8KV

# Interior fitting for wardrobes

## Oval cabinet rail, chrome-plated with cabinet rail support



### Oval cabinet rail, chrome-plated:

- ▶ 2000 mm in length
- ▶ Material 0.6 mm thick
- ▶ Steel, high-gloss chrome-plated



### Cabinet rail supports SL 322:

- ▶ Screw-on type with 3 screw holes
- ▶ Hole spacing 32 mm
- ▶ Zinc die-cast nickel-plated

### Cabinet rail supports SL 323:

- ▶ Press-in type with 2 pins for drill hole diameter of 5 mm
- ▶ Distance between pins 32 mm
- ▶ 1 additional screw hole

Description	Order no.	PU
Grament rail 2000 mm chrome gloss	0 047 615	10 ea.
Tube bearing SI322 DD oval Nickel	0 070 664	20 ea.
Tube bearing SI323 DD oval Nickel Press In	0 070 666	20 ea.

## Tie & belt holder



### Tie & belt holder:

- ▶ Screw-on version
- ▶ Length 300 mm
- ▶ Steel, nickel-plated

Order no.	PU
0 048 890	1/20 ea.



### Telescopic tie & belt holder:

- ▶ For mounting on carcass side
- ▶ With 9 non-slip elements and 5 hooks
- ▶ Including fixing material and spacer
- ▶ Width 455 mm
- ▶ Depth 74 mm
- ▶ Height 118 mm
- ▶ Spacer 22 mm deep for bridging the door protrusion
- ▶ Chrome-plated steel / grey plastic

Order no.	PU
0 070 660	1 ea.

## Built-in ironing board

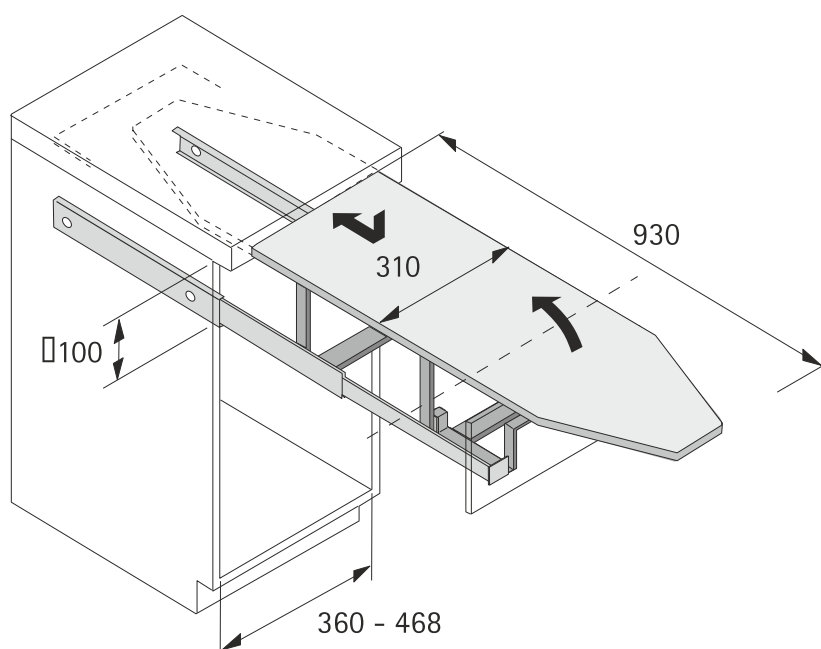
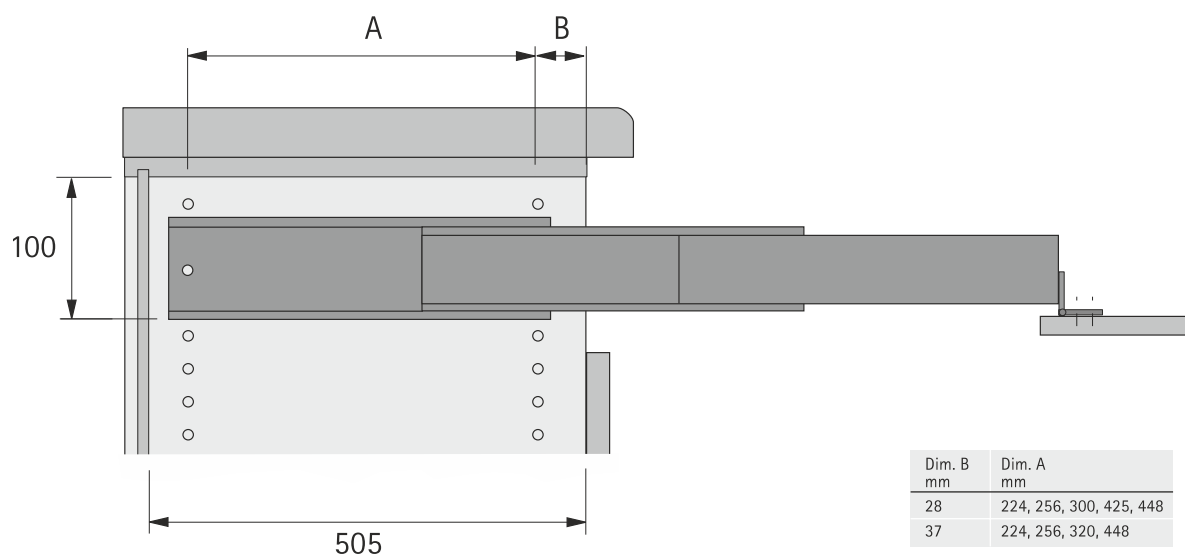


- ▶ Fitted in kitchen base units instead of a drawer
- ▶ The ironing board is pulled out of the cabinet on a telescoping extension and automatically swings up to working height
- ▶ Worktop overhang 0 - 54 mm
- ▶ Minimum inside carcass width 360 - 468 mm
- ▶ Powder-coated steel, white

### Set comprises:

- ▶ 1 ironing board complete with lining

Description	Order no.	PU
Ironing board	0 045 541	1 set



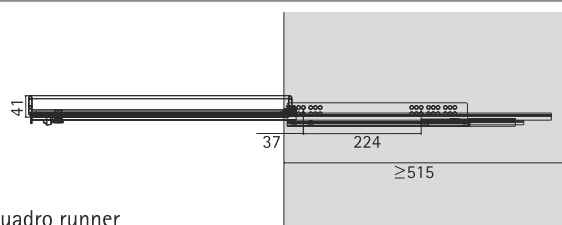
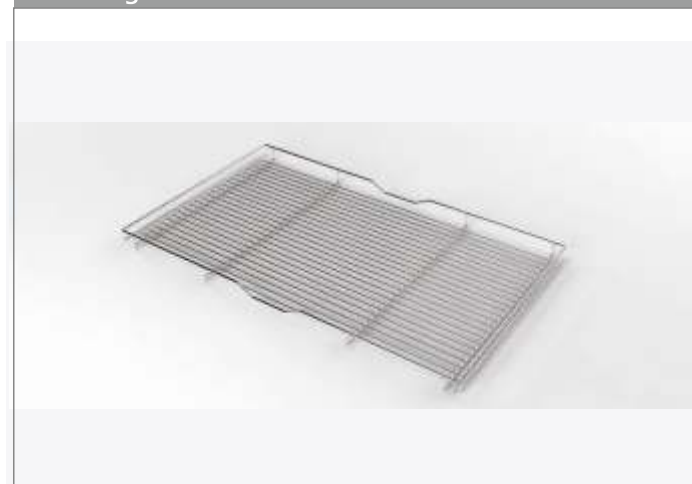
# Interior fitting for wardrobes

## Pull Out Shelf

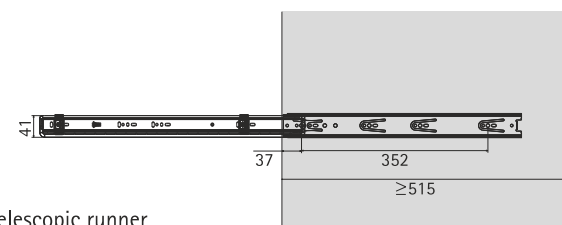


- ▶ Functional and visually pleasing alternative to wooden shelves, in wardrobes
- ▶ Can be mounted with KA telescopic & Quadro runners
- ▶ Required cannel size:
  - For KA : 500mm
  - For Quadro 500mm
- ▶ Available in three standard carcass widths- 600, 750 & 900 mm
- ▶ Available depth- 500 mm
- ▶ Height of moving shelf 41 mm
- ▶ Loading capacity 30-40 kg
- ▶ Optional plastic bottom
- ▶ Finish: Chrome Plate
- ▶ Order runner & clamps accordingly

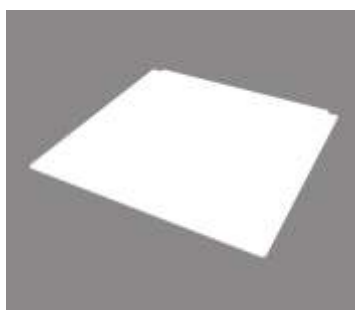
## Planning dimensions



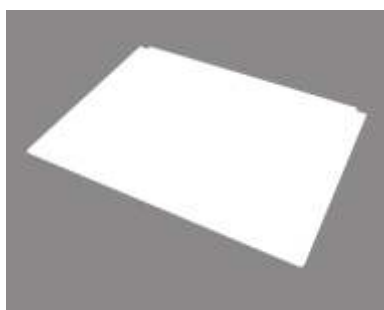
With quadro runner



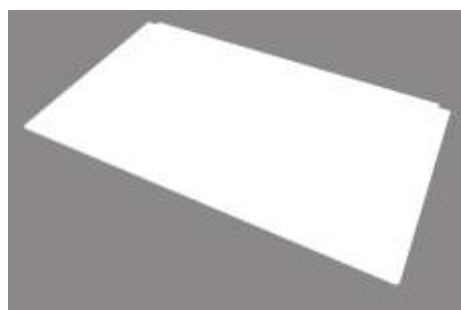
With telescopic runner



Plastic Sheet W536 D500



Plastic Sheet W686 D500



Plastic Sheet W836 D500

Width mm	Carcase external width mm (for side panel thickness 18 mm)	Depth mm	Height mm	Order no.	PU
536	600	500	41	9 209 345	1 ea.
686	750	500	41	9 210 438	1 ea.
836	900	500	41	9 209 348	1 ea.
536 (Plastic Bottom)	600	500		9 213 057	1 ea.
686 (Plastic Bottom)	750	500		9 213 061	1 ea.
836 (Plastic Bottom)	900	500		9 213 063	1 ea.

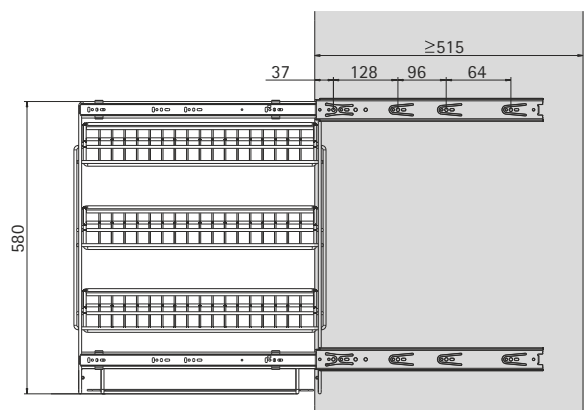
# Interior fitting for wardrobes

## Cargo Pull Out Shoe Rack (Vertical)

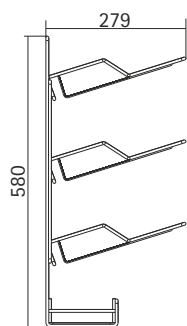


- ▶ Easily mountable on carcass side
- ▶ Suitable for use on left or right side
- ▶ Can take minimum 6 pairs of adult shoes
- ▶ Additional space to keep related accessories like shoe polish & brush etc.
- ▶ With 3 clip-on shoe racks
- ▶ Recommended internal carcass height 750 mm
- ▶ Inclusive of Acrylic / Plexi glass bottom
- ▶ Order KA telescopic runner separately
- ▶ Finish: Chrome Plated

## Planning dimensions



(Example: KA 4532 drilling pattern)



Article	Order no	PU
Cargo pull out shoe rack vertical	9 209 340	1 pc
KA 4532, Silent system- 500 mm	9 114 276	1 Set



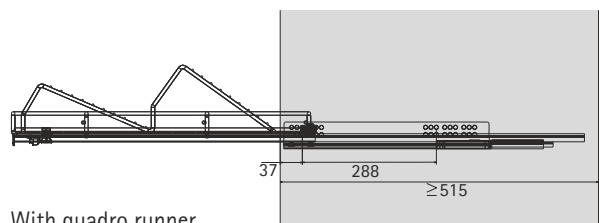
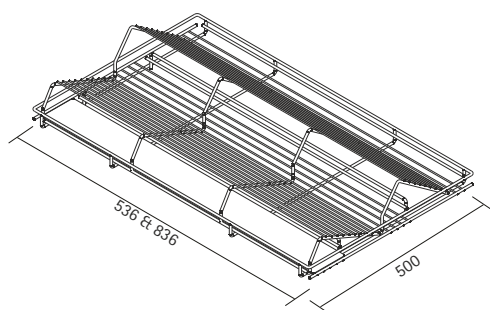
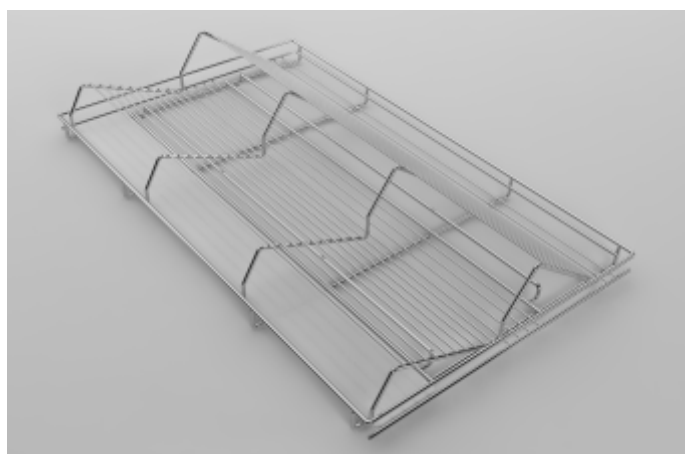
# Interior fitting for wardrobes

## Cargo Pull Out Shoe Rack (Vertical)

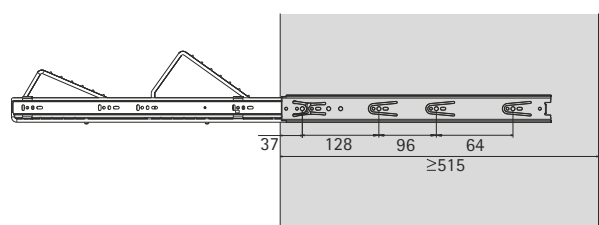


- ▶ Installation between carcass sides
- ▶ Can take minimum 4 pairs (600 mm) & 6 pairs (900 mm) of adult size shoes
- ▶ Required cannel size:
  - For KA : 500mm
  - For Quadro 500mm
- ▶ Additional space to keep related accessories like shoe polish & brush etc.
- ▶ Available in two standard carcass widths- 600 & 900 mm
- ▶ Recommended internal carcass height 300 mm
- ▶ Inclusive of Acrylic / Plexi glass bottom
- ▶ Order runner & clamps accordingly
- ▶ Finish: Chrome Plated

## Planning dimensions



With quadro runner



With telescopic runner  
(Example: KA 4532 drilling pattern)

Article	Order no	PU
Cargo shoe rack H- 600 mm	9 217 067	1 pc
Cargo shoe rack H- 900 mm	9 211 635	1 pc

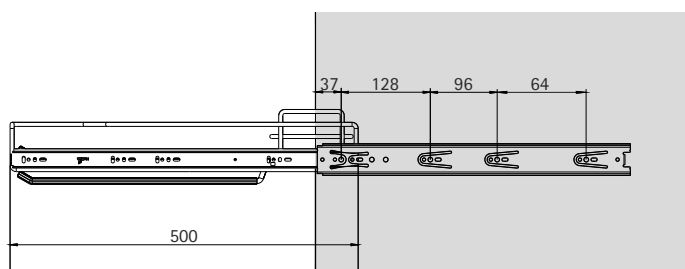
# Interior fitting for wardrobes

## Cargo Trousler Pull Out



- ▶ Installed between carcass sides
- ▶ Available in two carcass widths- 600 & 900 mm
- ▶ Can take up to 11 trousers (600 mm) & 17 trousers (900 mm)
- ▶ Trousler holder with non-slip element
- ▶ Tray for keeping accessories like watches / cufflinks / tie clips etc.
- ▶ Inclusive of 2 trays for 536 mm and 3 trays for 836 mm
- ▶ Handle on both sides for easy pull out
- ▶ Order KA telescopic runner separately
- ▶ Finish: Chrome Plated

Article	Dimension (mm)	Order no	PU
Cargo trouser pull out W 536 x D 500 x H 120		9 221 098	1 pc
Cargo trouser pull out W 836 x D 500 x H 120		9 236 898	1 pc
KA 4532, Silent system- 500 mm		9 114 276	1 set



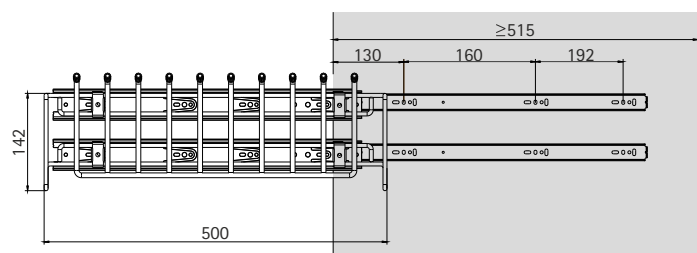
(Example: KA 4532 drilling pattern)

## Cargo Trousler Pull Out M



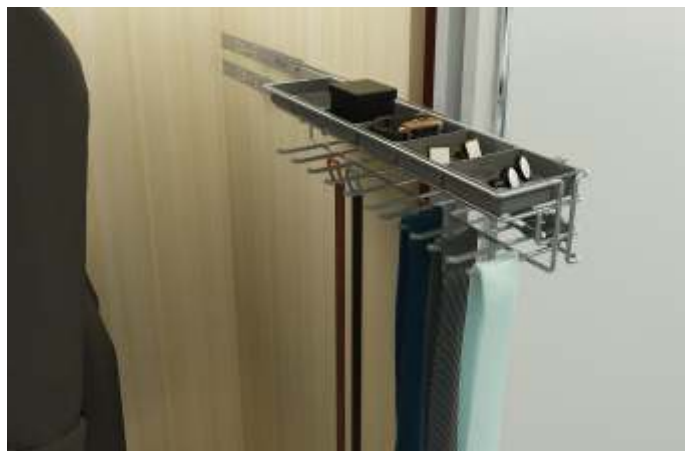
- ▶ For mounting on carcass side
- ▶ Can take up to 10 trousers
- ▶ Trousler holder with non-slip element
- ▶ Suitable for use either on left or right side
- ▶ Order KA telescopic runner separately
- ▶ Finish: Chrome Plated

Article	Dimension (mm)	Order no	PU
Cargo trouser pull out W 320 x D 500 x H 142		9 243 990	1 pc
KA 4532, Silent system- 500 mm		9 114 276	1 set



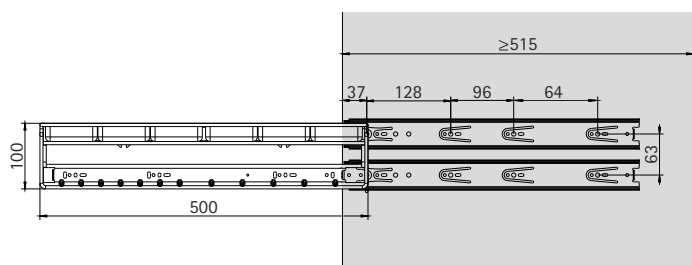
# Interior fitting for wardrobes

## Cargo Tie & Belt Pull Out



- ▶ Tie holder with non-slip element
- ▶ For mounting on carcass side
- ▶ Suitable for use on either left or right
- ▶ Can take up to 5 Belts & 7 Ties
- ▶ Tray for keeping accessories like watches / cufflinks / tie clips etc.
- ▶ Inclusive with 2 trays
- ▶ Order KA telescopic runner separately
- ▶ Finish: Chrome Plated
- ▶ Made of stainless steel wire

Article	Dimension (mm)	Order no	PU
Cargo tie & belt pull out W 125 x D 500 x H 100		9 221 099	1 pc
KA 4532, Silent system- 500 mm		9 114 276	1 set



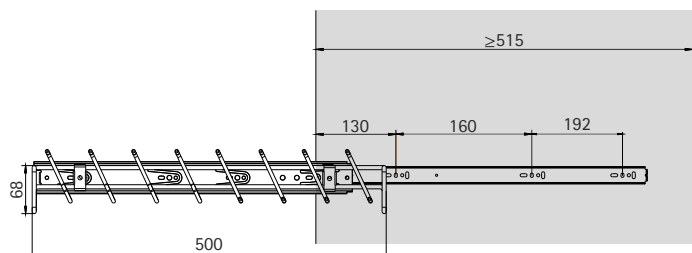
(Example: KA 4532/ KA 5632 drilling pattern)

## Cargo Tie & Belt Pull Out M



- ▶ Tie holder with non-slip element
- ▶ For mounting on carcass side
- ▶ Suitable for use on either left or right
- ▶ Can take up to 4 Belts & 12 Ties
- ▶ Order KA telescopic runner separately
- ▶ Finish: Chrome Plated
- ▶ Made of stainless steel wire

Article	Dimension (mm)	Order no	PU
Cargo tie & belt pull out M W 110 x D 500 x H 68		9 243 991	1 pc
KA 4532, Silent system- 500 mm		9 114 276	1 set



# Interior fitting for wardrobes

## Cargo wall shoe rack (M)



- ▶ For screwing onto cabinet flaps which open individually or to the inside of cabinet sides or fronts
- ▶ Can take minimum 4 pairs of adult size shoes
- ▶ Finish: Chrome Plated

Article	Dimension (mm)	Order no	PU
Wall mount shoe rack W 500 x D 210 x H 238		9 243 992	1 pc

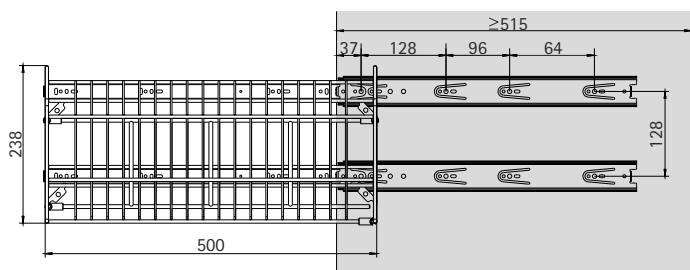


## Cargo wall shoe rack (M) with KA



- ▶ Easily mountable on carcass side
- ▶ Suitable for use on left or right side
- ▶ Can take minimum 4 pairs of adult size shoes
- ▶ Order KA telescopic runner separately
- ▶ Finish: Chrome Plated

Article	Order no	PU
Wall mount shoe rack W 500 x D 210 x H 238	9 243 992	1 pc
KA 4532, Silent system- 500 mm	9 114 276	1 set



(Example: KA 4532 drilling pattern)



# Interior fitting for wardrobes

## Cargo Laundry



- ▶ Easily mountable on carcass side
- ▶ Suitable for use on left or right side
- ▶ Mesh close enough to avoid clothes falling off
- ▶ Finish: Chrome Plated

Article	Dimension (mm)	Order no	PU
Cargo Laundry W 220 x D 500 x H 580		9 241 012	1 pc

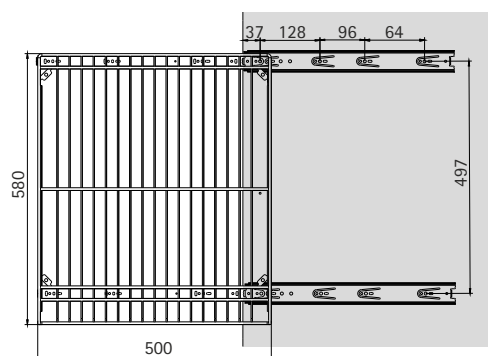


## Cargo Laundry with KA



- ▶ Easily mountable on carcass side
- ▶ Suitable for use on left or right side
- ▶ Mesh close enough to avoid clothes falling off
- ▶ Order KA telescopic runner separately
- ▶ Finish: Chrome Plated

Article	Dimension (mm)	Order no	PU
Cargo Laundry W 220 x D 500 x H 580		9 241 012	1 pc
KA 4532, Silent system- 500 mm		9 114 276	1 set



(Example: KA 4532 drilling pattern)



## Connecting fittings



What fittings from Hettich join together just doesn't come apart. Hettich also supplies reliable and easy to use solutions for more difficult connections in furniture construction. Solutions that open up numerous design options using classic or lightweight materials. Convenient on-site assembly. Hettich fittings keep what you promise your customers.



Rastex 15 can be used in combination with Twister and Rapid S dowels



Rastex 25 can be used in combination with Twister dowels.



Coloured plastic sleeves in easy-to-grip fluted design indicate dowel lengths. Green (dowel length 20 mm) for Rastex 15, blue (dowel length 24.5 mm) for Rastex 25 and black (dowel length 30 mm) for Rastex 15.

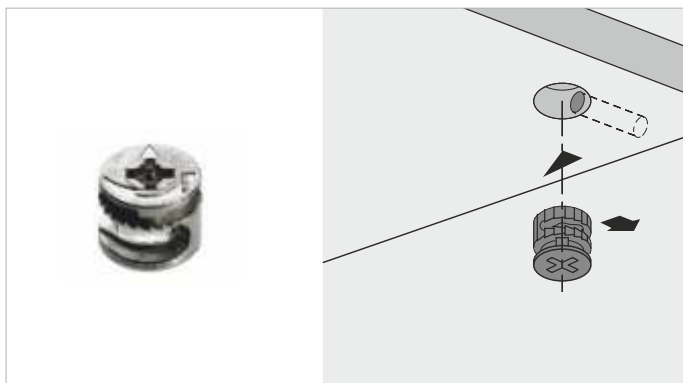


Fast, toolless installation, simply presses by hand into the hole in the carcass side. Easy to tell apart with coloured expanding elements for 8 mm (blue) and 10 mm (green) drill holes.

## Connecting fittings

### ► Rastex Et dowel

#### Rastex 15 without rim



- With torque support – allows furniture sides to be pulled into place from distances up to 4 mm from the panel end
- Twice as secure thanks to internal and external indentations – the dowel is always pulled in to the centred position, ruling out any displacement of furniture components
- Zinc die-cast

Finish	Order no.	PU
Nickel-plated (15/18 mm)	0 013 958	2000 ea.

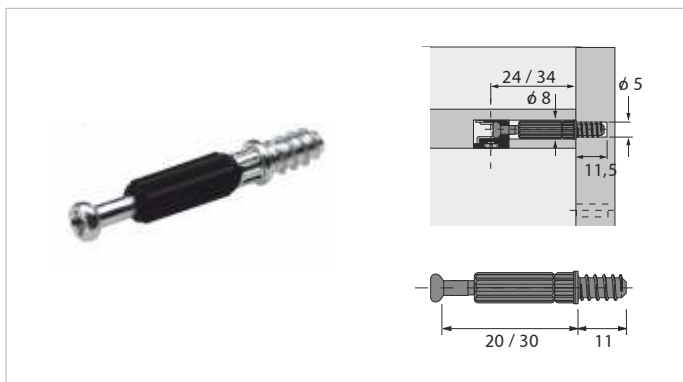


#### Cover caps for Rastex 15 without rim (except for Rastex 15 / 12):

┆ Plastic

Finish	Order no.	PU
Cover cap, White	0 071 054	5000 ea.
Cover cap, Brown	0 071 055	5000 ea.
Cover cap, Black	0 079 490	5000 ea.

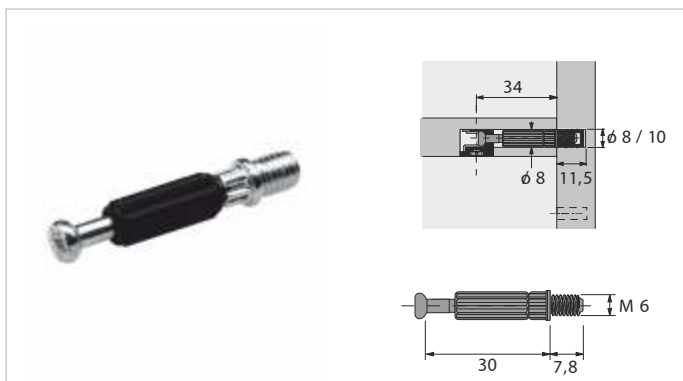
#### Screw-in dowel



#### Screw-in dowel Twister DU 243 T / DU 232 T:

- With direct fixing thread for a hole diameter of 5 mm
- Dowel length 20 mm / 30 mm
- DU 232 T can also be used for VB Insert for lightweight panels with 8 mm face layers
- For lightweight panels with 4 mm face layers: mounting only with hetinject glued dowels
- Galvanised steel / green or black plastic
- Can be used in System 32

Description	Dowel length mm	Order no.	PU
Twister DU 232 T	30	0 020 058	2000 ea.



#### Screw-in dowel Twister DU 644 T:

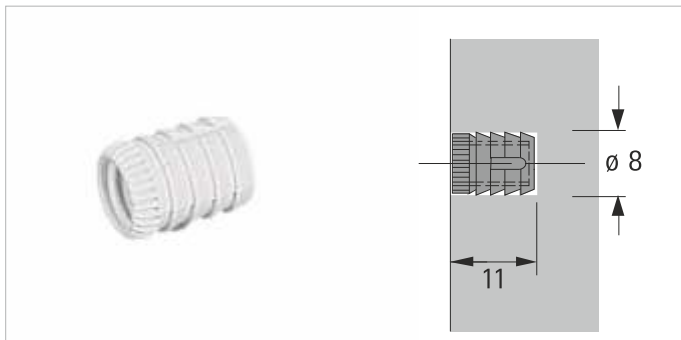
- M6 x 7.8 mm thread
- Dowel length 30 mm
- Galvanised steel / black plastic

Order no.	PU
0 020 157	2000 ea.

# Connecting fittings

## ► Sockets & Rostrino dowel

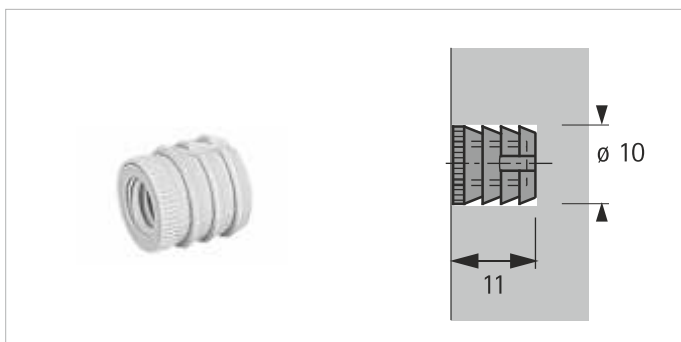
### Sockets



#### Socket no. 49:

- For M6 thread
- Hole diameter 8 mm
- Suitable for use with Rastex 15 / 25, VB 18 / 19 / 20 / 21 and VB 35 / 36
- White plastic

Order no.	PU
0 040 005	10000 ea.



#### Socket no. 33:

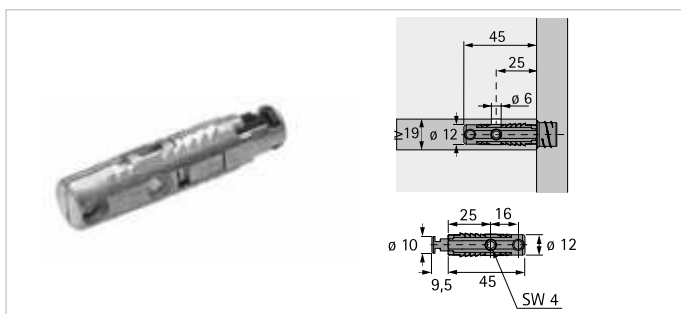
- For M6 thread
- Hole diameter 10 mm
- Suitable for use with Rastex 15 / 25, VB 18 / 19 / 20 / 21 and VB 35 / 36
- White plastic

Order no.	PU
0 079 539	5000 ea.

### Rostrino dowel

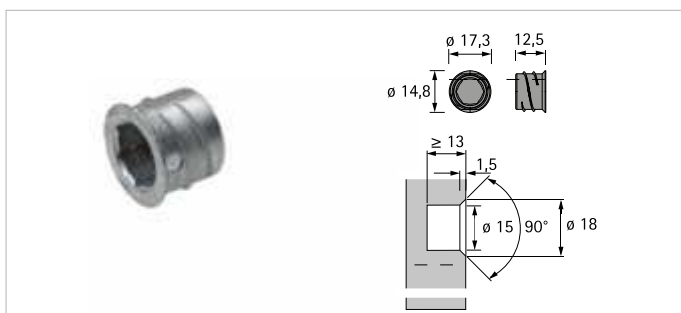


- Detachable connecting fitting with catch springs
- Easy installation and removal of the carcass
- For concealed installation
- Can be used for carcass connectors
- Dowel and socket are braced via an additional drilling in the bottom panel using an hexagon socket spanner size A/F4, screw the socket in using an hexagon socket spanner size 10 AF
- Connecting fitting with dowel and socket
- Zinc die-cast



#### Rostrino dowel

Order no.	PU
9 131 207	1/2000 ea.



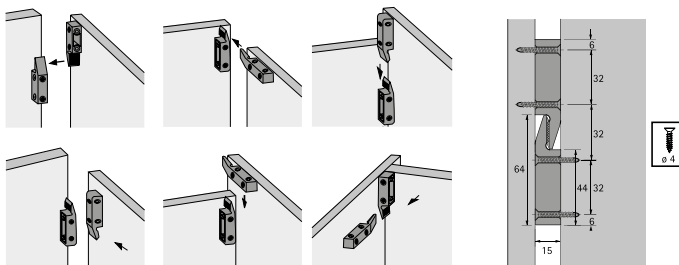
#### Rostrino dowel

Order no.	PU
9 132 011	1/2000 ea.

# Connecting fittings

## ► MultiClip Et VHS

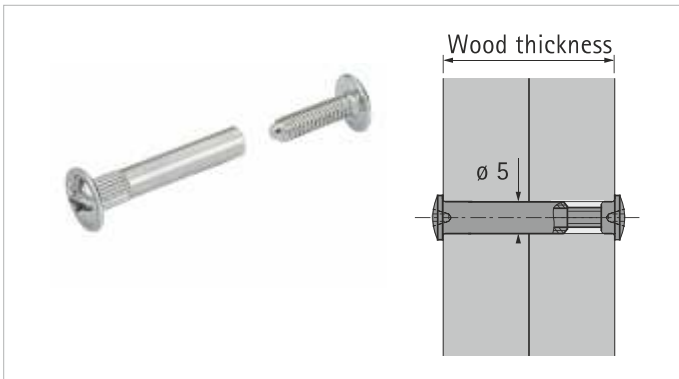
### MultiClip



- MultiClip can be used in many different applications
- For wall panelling, room dividers, cladding pillars, ceiling panelling, fascias and cladding of all types
- In all applications, the fitting can be screw mounted either parallel or at right angles to the fascia or cladding component
- If it is necessary to slide the clip connectors on from the front, one of the fittings is screw mounted at an angle of 90°
- Whether for interior fittings, contract work or volume production, this fitting is a cost-saver – always and everywhere
- Only 1 fitting component for all types of application
- The clip connector components provide a secure hold with spring loaded flexible clamps and serrated surfaces
- Variable screw on positions permit to hooking in from above, from the front, from the side as well as flush fitted
- Compensation for mounting tolerances
- Clip connectors can be adjusted for perfect alignment
- Thermoplastic material, black (heat resistant)

Order no.	PU
0 046 080	1/200 ea.

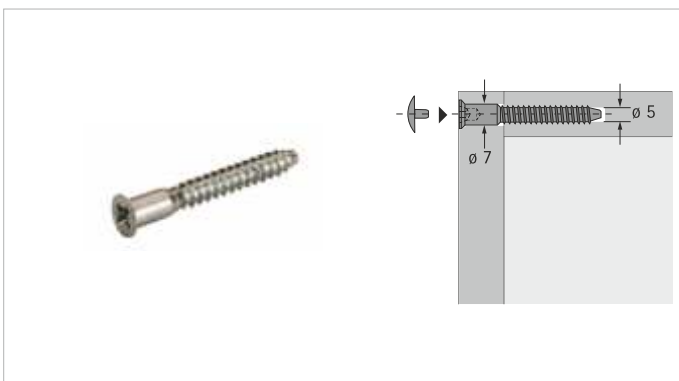
### VHS connector



#### VHS 32 / System 32:

- Unobtrusive carcass connectors for a particularly firm hold
- For drill hole diameter of 5 mm
- The connecting sleeves are 27 or 35 mm long
- The threaded sleeve is set back, making it easier to screw the connecting screw in
- Screw M4 x 15 mm / connecting sleeve: nickel-plated steel

Description	Wooden thickness mm	Order no.	PU
VHS 32 / 27	28 - 36	0 079 659	1000 ea.
VHS 32 / 35	36 - 44	0 079 660	1000 ea.
VHS Screw SMG M 4x15		1 058 986	2000 ea.



#### Direkta 2 (connecting screw):

- With drilled head and Pozidrive screw
- Galvanised steel

Description	Length mm	Order no.	PU
Direkta	6.3 x 50	0 019 556	1000 ea.

## Connecting fittings

### ► VB fittings

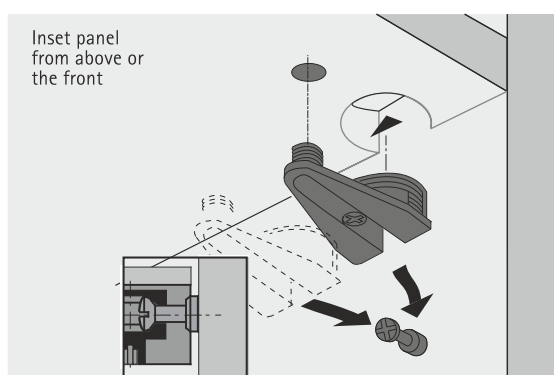
#### VB 21 without rib



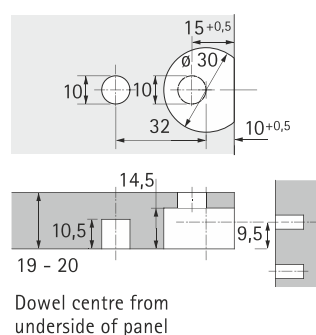
- For strong, positive-fitting and friction-locked connections between shelves and side panels, high load-bearing capacity.
- The fitting is pressed into a double hole drilled 32 mm apart. Insertion holes with 30 and 10 mm  $\varnothing$ .
- The shelf can be inserted from above or from the front
- The eccentric can also be tightened in the bottom panel from above. A through-hole is required in the panel for this purpose.
- For special applications, a plinth adjustment element can be adjusted through the fitting
- Zinc die-cast nickel-plated
- Drill bits for hand and pillar drills
- Can be used in System 32

Order no.	PU
0 047 454	200 ea.

#### VB 21 for 19 - 20 mm shelves



#### Drilling pattern for panels

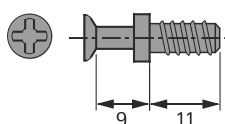
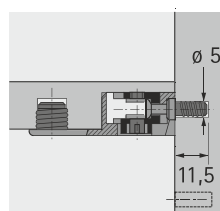


#### Screw-in dowel DU 327



- Direct fixing thread for a hole diameter of 5 mm
- Dowel length 9 mm
- Steel, bright
- Can be used in System 32

Order no.	PU
0 025 052	2000 ea.





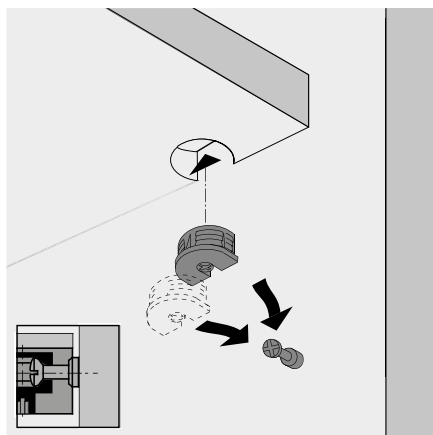
# Eccentric cam connecting fitting

## VB 35 / 19 for 19 mm shelves

Insert shelf from above or from the front

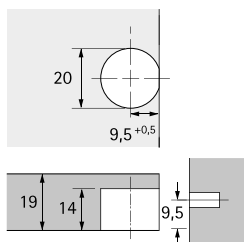


$\sim 5^\circ$



- ▶ Small connecting fittings for sturdy, positive fitting and friction locked connections between shelves and side panels using the tried and proven eccentric cam latching principle
- ▶ The fitting is pressed into the cropped 20 mm diameter drilling
- ▶ The fitting has a spherical eccentric cam
- ▶ Zinc die-cast / plastic
- ▶ Can be used in System 32

### Drilling pattern for shelves



Dowel centre from underside of shelf

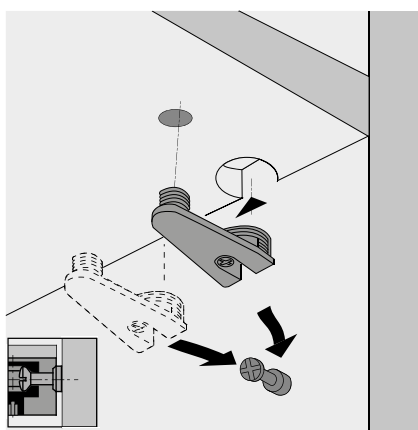
Colour	Order no.	PU
white	0 065 515	1/200 ea.
brown	0 065 516	1/200 ea.

## VB 36 / 19 for 19 mm shelves

Insert shelf from above or from the front

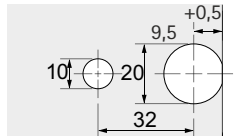


$\sim 5^\circ$



- ▶ Small connecting fittings for sturdy, positive fitting and friction locked connections between shelves and side panels using the tried and proven eccentric latching principle
- ▶ The fitting is pressed into a double hole drilled 32 mm apart. Insertion holes in a diameter of 20 and 10 mm
- ▶ The fitting has a spherical eccentric
- ▶ Zinc die-cast / plastic
- ▶ Can be used in System 32

### Drilling pattern for shelves



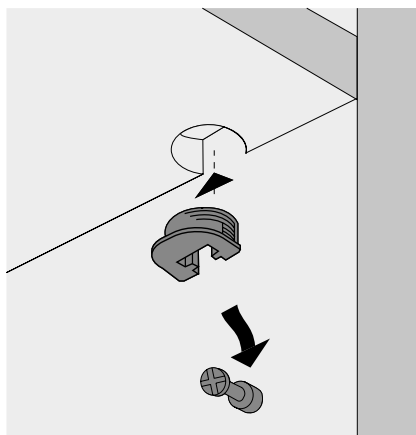
Dowel centre from underside of shelf

Colour	Order no.	PU
white	0 065 531	1/200 ea.
brown	0 065 532	1/200 ea.

# Shelf connecting fitting

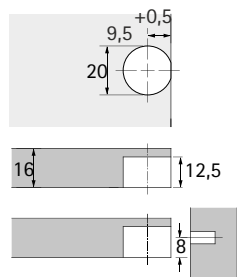
## VB 135

Insert shelf from above.  
Assembly aid for  
hooking in the shelves  
underside of shelf



- ▶ The VB 135 connecting fitting is pressed into the cropped 20 mm  $\varnothing$  drilling
- ▶ The shelf can only be inserted from above
- ▶ The bottom panel with the VB 135 is merely pressed onto the dowel. The wedging effect pulls the bottom panel to the side and prevents it from falling out
- ▶ Can be used for shelf thicknesses of 16 mm and over
- ▶ Plastic
- ▶ Can be used in System 32

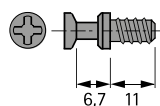
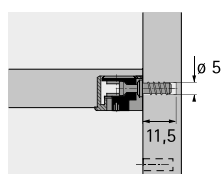
Drilling pattern for shelves



Dowel centre from

Colour	Order no.	PU
white	0 073 616	1/200 ea.
brown	0 073 617	1/200 ea.

## Screw in dowel DU 321



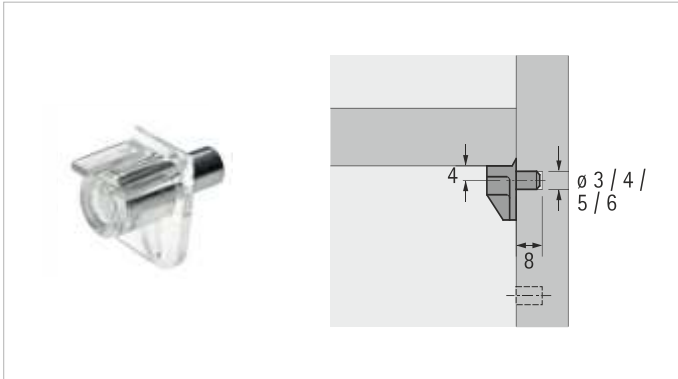
- ▶ With direct fixing thread for drilling diameter of 5 mm
- ▶ Dowel length 6.7 mm
- ▶ Can also be used for lightweight panels with 8 mm face layers
- ▶ For lightweight panels with 4 mm face layers installation only with Hettinject bonding dowels
- ▶ Steel, galvanised
- ▶ Can be used in System 32

Order no.	PU
0 074 688	1/200 ea.

# Connecting fittings

## ► Shelf support

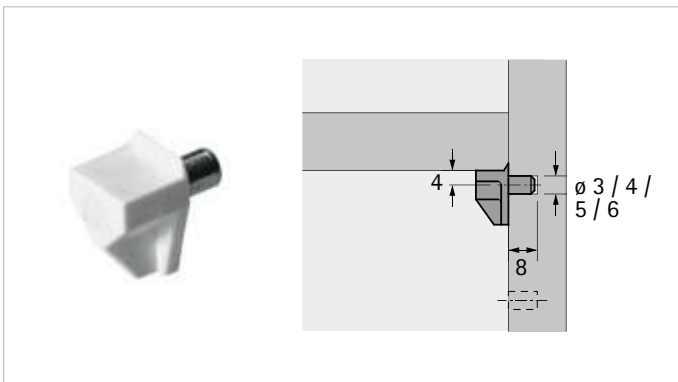
### Wooden shelf support



#### Safety:

- Steel pin with plastic support surface
- Can be used in System 32
- Load group L 50 (50 kg / m<sup>2</sup>) translucent

For drill hole diameter mm	Order no.	PU
5	0 016 180	1000 ea.

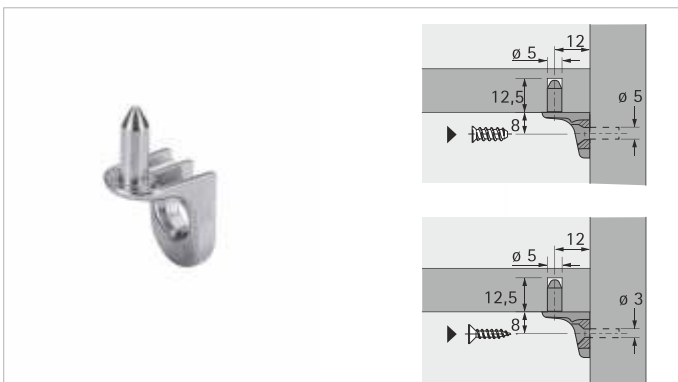


#### Safety:

- Steel pin with plastic support surface
- Can be used in System 32
- Load group L 50 (50 kg/m<sup>2</sup>) white

For drill hole diameter mm	Order no.	PU
5	0 025 090	1000 ea.

0 016 180



#### Sekura 7:

- Drill hole diameter 5 mm for direct fixing screw
- Countersunk head  $\varnothing$  6.3 mm
- Drill hole diameter 3 mm for countersunk head screw  $\varnothing$  4 mm
- Each with one additional pin for shelves
- Zinc die-cast, nickel-plated
- Can be used in System 32
- Load group L 75 (75 kg / m<sup>2</sup>)

For drill hole diameter mm	Order no.	PU
5	0 053 012	1000 ea.



#### Universal D

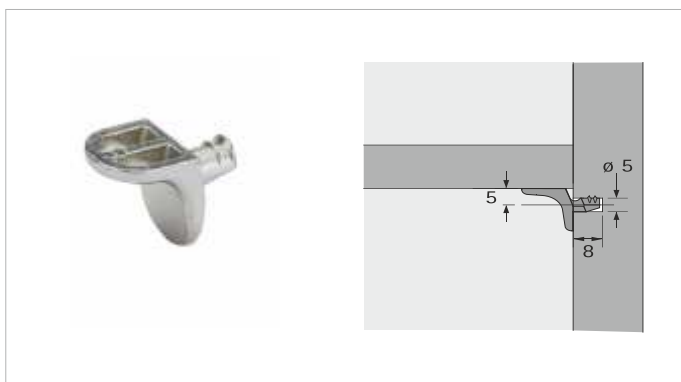
- Pin diameter 5 mm
- Can be used in System 32
- Load group L 75 (75 kg/m<sup>2</sup>)
- Zinc die-cast nickel-plated

Order no.	PU
0 22 737	1000 ea.

## Connecting fittings

### ► Shelf support

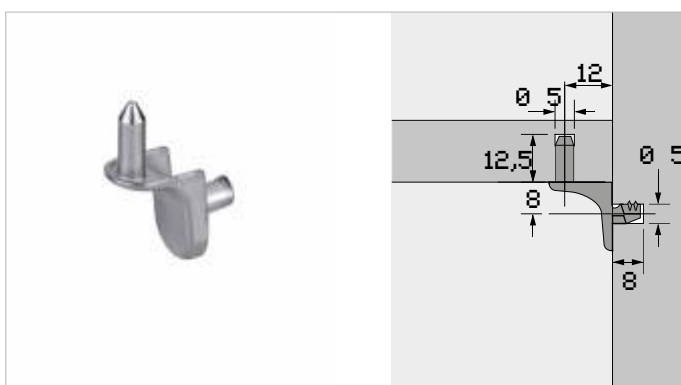
#### Wooden shelf support



##### Sekura 2:

- Pin diameter 5 mm
- Die-cast zinc nickel-plated
- Can be used in System 32
- Load group L 75 (75 kg / m<sup>2</sup>)

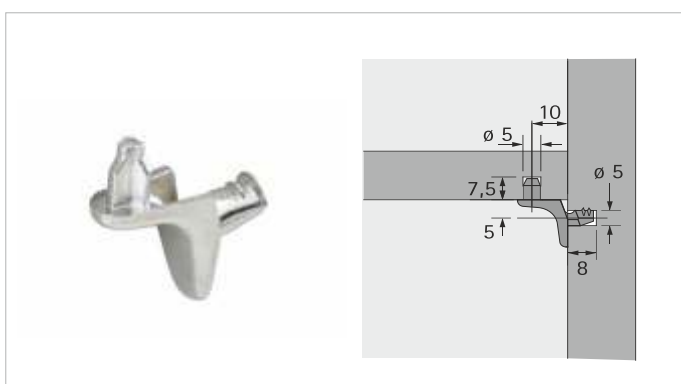
Order no.	PU
0 025 100	1000 ea.



##### Sekura 6

- Pin diameter 5 mm
- 1 additional pin for shelf
- Can be used in System 32
- Load group L 75 (75 kg/m<sup>2</sup>)
- Zinc die-cast nickel plated

Order no.	PU
0 79 707	1000 ea.

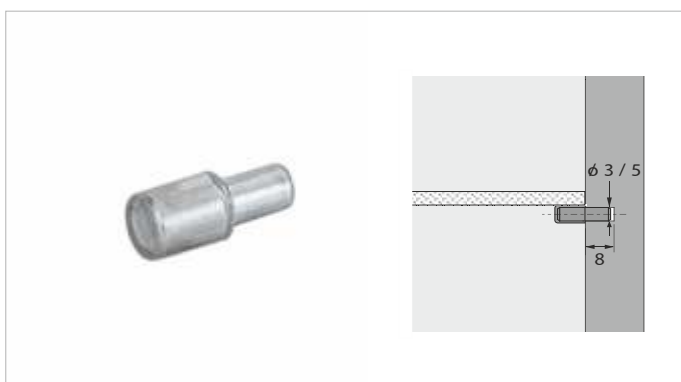


##### Sekura 1.1

- Pin diameter 5 mm
- 1 additional pin for shelf
- Die-cast zinc nickel-plated
- Can be used in System 32
- Load group L 75 (75 kg / m<sup>2</sup>)

Order no.	PU
0 019 557	1000 ea.

#### Glass shelf support



##### Glass shelf supports, Perfekt:

- With soft plastic cap
- Galvanised steel / clear plastic
- Load group L 50 (50 kg / m<sup>2</sup>)

For drill hole diameter mm	Order no.	PU
5	0 079 709	1000 ea.

# Connecting fittings

## ► Shelf support

### Sekura 8



- Glass shelf supports
- Pin diameter 5 mm
- Zinc die-cast nickel-plated / Plastic transparent
- Can be used in System 32
- Load group L 75 (75 kg / m<sup>2</sup>)

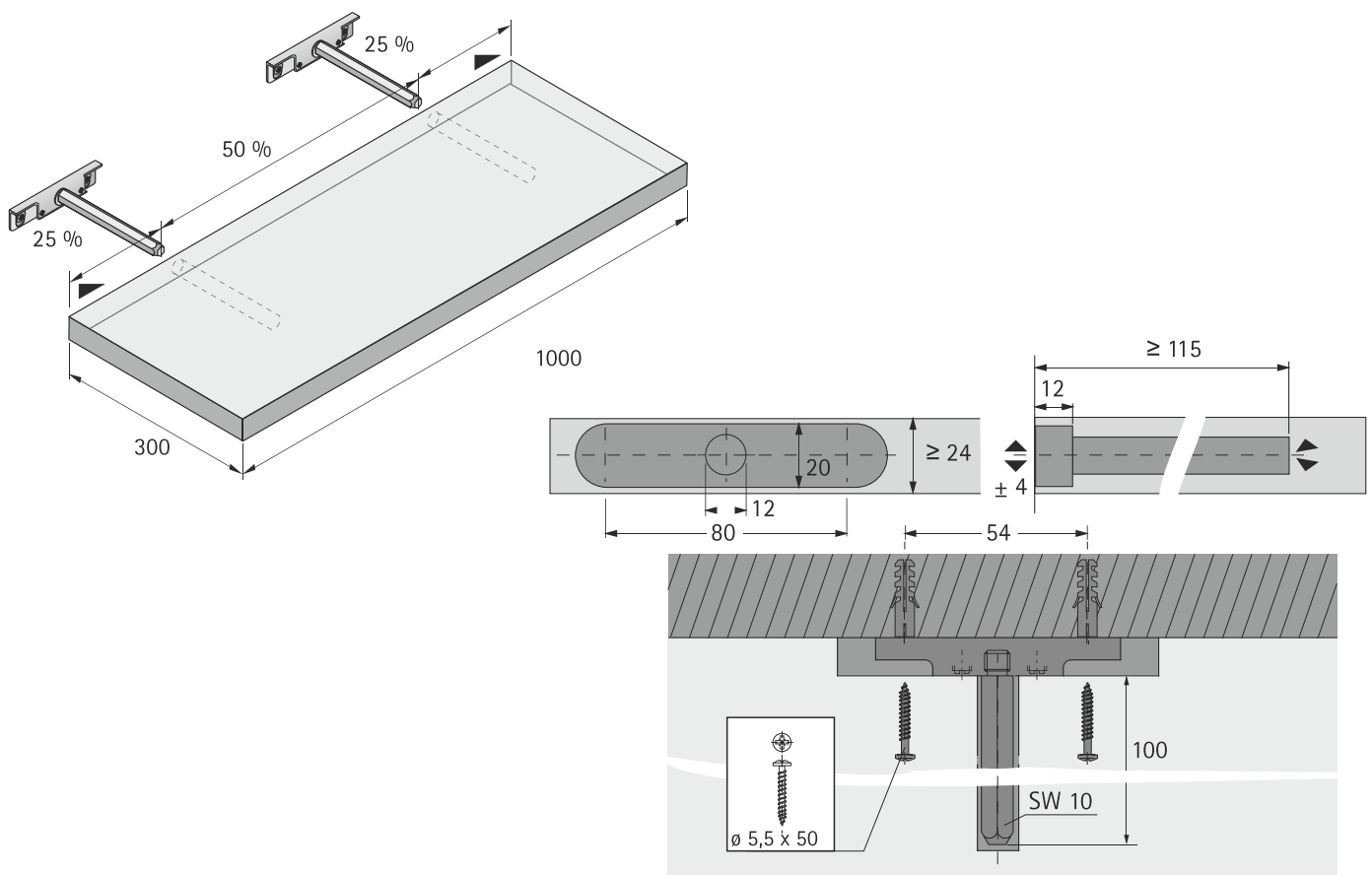
Order no.	PU
0 047 609	1000 ea.

### Wooden shelf support: Titan



- Concealed installation behind the shelf
- Bolt: 10 mm A/F
- Max. loading capacity is 50 kg/m<sup>2</sup> for shelves measuring 1000 x 300 mm, 100 kg/m<sup>2</sup> for shelves measuring 1000 x 250 mm and 160 kg/m<sup>2</sup> for shelves measuring 1000 x 200 mm
- Height adjustment: ± 4 mm
- Minimum shelf thickness: 24 mm
- Adjustment of shelf slope
- Galvanised steel
- Fixing screws (Order No. 0 065 480)

Order no.	PU
0 047 661	20 ea.





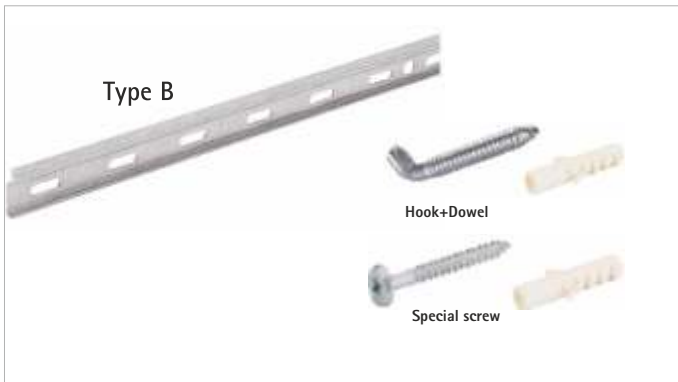
# Cabinet suspension brackets & Magnetic Catch

## SAH 130 for mounting in carcass



- ▶ Press-in version
- ▶ Rail or hook suspension
- ▶ Guard to prevent slipping off sideways when suspended from a hook
- ▶ Rear-panel recess (to front edge of rear panel) at least 16 mm
- ▶ Lift-off height 7.5 mm
- ▶ Galvanised steel / white plastic
- ▶ Load capacity 35 kg each
- ▶ 3-dimensional alignment: height  $\pm 7$  mm / max. depth 15 mm / laterally (for hook suspension)  $\pm 3$  mm / laterally (for rail suspension)  $\pm 7$  mm

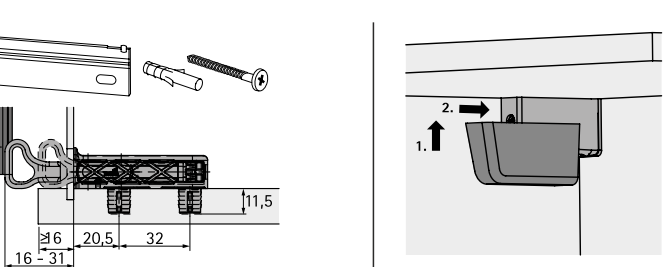
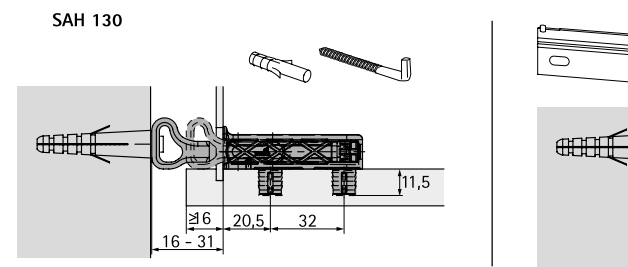
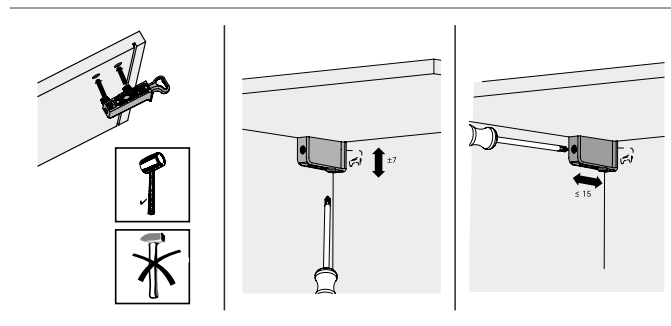
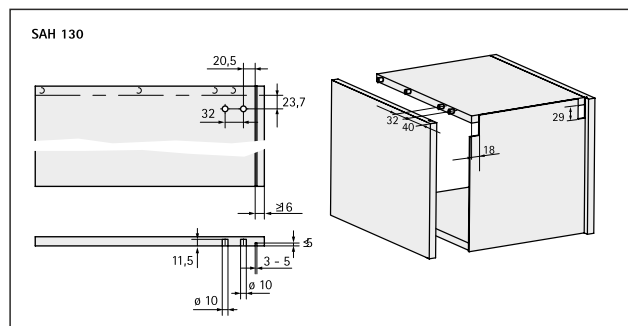
Description	Order no.	PU
SAH 130	0 079 724	1/25 pair
Cover cap, white	0 079 725	1/25 pair



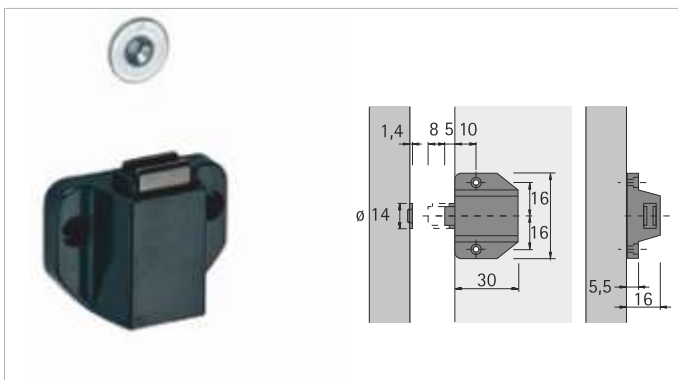
### Suspension rail, type B, Hook+Dowel & Special screw

- ▶ For SAH 215 / SAH 216 / SAH 130 / SAH 116 / SAH 14
- ▶ Load capacity 150 kg / cabinet for type B
- ▶ The twisted ends of the suspension rail prevent the cabinet slipping off
- ▶ Length 3000 mm (type B) with oblong holes
- ▶ Steel galvanised

Description	Order no.	PU
Suspension rail, type B (Length 3000 mm)	9 007 651	1 ea.
Hook+Dowel, 6,0 X 50 mm	0 046 103	100
Special screw 5.5 x 50 mm	0 065 480	1



## Magnetic push catches



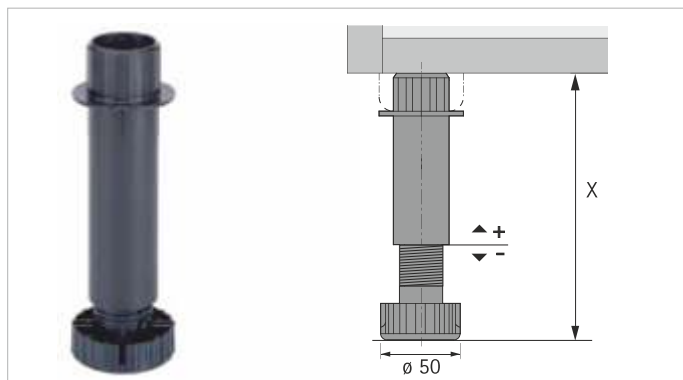
### Magnetic catch D7 / GP9:

- ▶ Holding force 0.7 - 1.1 kg
- ▶ Lift 11 mm
- ▶ Dimensions: height 16 mm, width 40 mm, depth 36 mm
- ▶ Hole spacing 32 mm
- ▶ Black plastic housing
- ▶ Counterplate: galvanised steel

Order no.	PU
0 020 873	1/20 ea.

# Height adjustable leg

## Euro leg



- ▶ Fitting system comprising height-adjustable legs, fixing blocks and other accessories
- ▶ Load capacity 450 kg / leg, maximum of 1350 kg for 3 or more legs
- ▶ Plinth drawers can be fitted from a plinth height of 150 mm
- ▶ Black plastic

Plinth height dimension X mm	Adjustment range mm	Order no.	PU
100	95 - 123	0 071 840	100 ea.
130	115 - 143	0 071 841	100 ea.
150	145 - 173	0 071 842	100 ea.

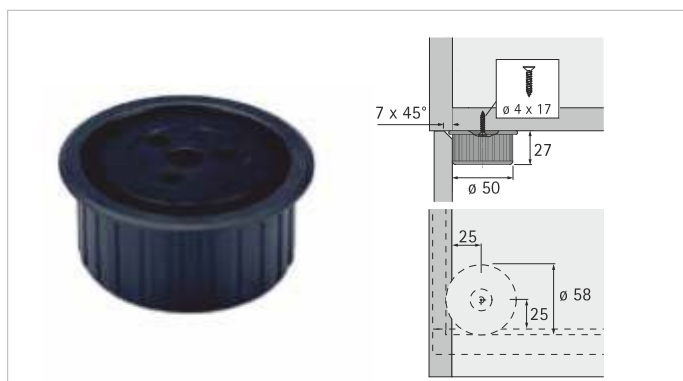


### Adapter for height-adjustable leg:

- ▶ For extending the height-adjustable leg by 50 mm
- ▶ Black plastic

Order no.	PU
0 071 844	100 ea.

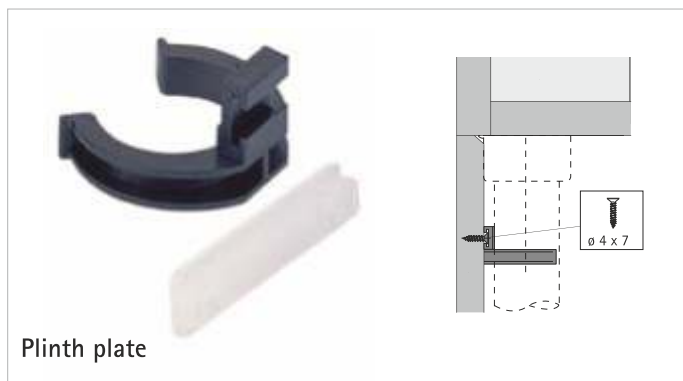
## Fixing block, screw on type



### Fixing-block, screw-on type:

- ▶ With overlay to support side panel
- ▶ Black plastic

Order no.	PU
0 071 847	100 ea.



Plinth plate

### Plinth-panel holder, screw-on type:

- ▶ For front and side plinths
- ▶ Installation: clips to height-adjustable leg
- ▶ Black plastic

Description	Order no.	PU
Plinth clip	0 071 845	100 ea.
Plinth plate	9 020 484	100 ea.

# Franke Fittings

- ▶ VarioFlex
- ▶ FrankoFlex

## VarioFlex

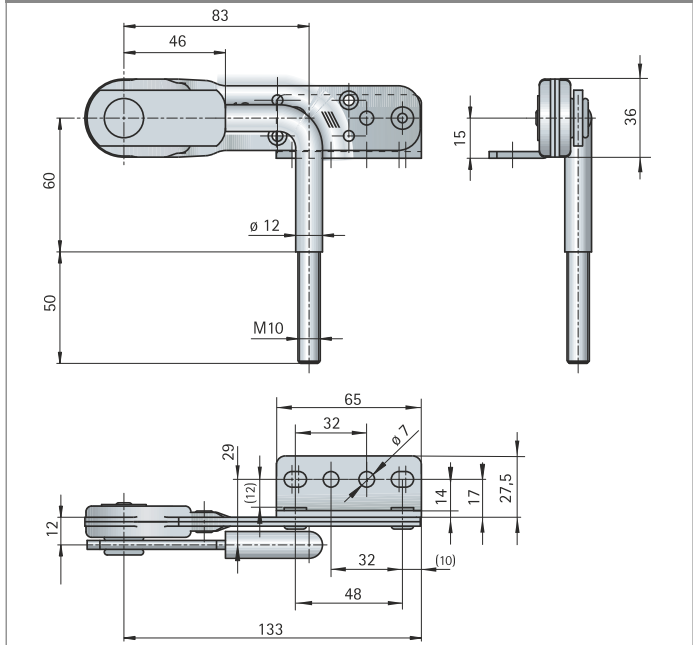
### VarioFlex

- ▶ with round link
- ▶ 0° - 90°, 360° - 270°

	Order no.	PU
pair	9 125 137	100
	9 125 138	100



### Measures



## Accessories

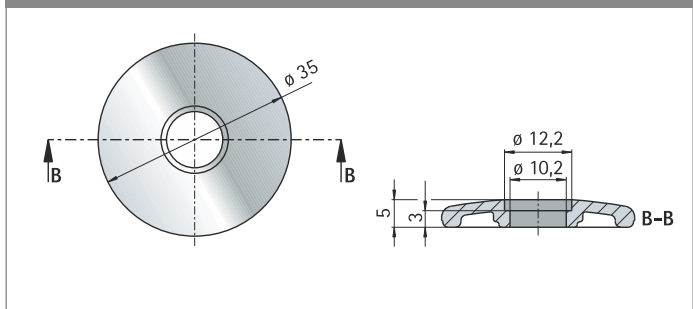
### Cover cap

- ▶ for VarioFlex with round link
- ▶ chromed



Order no.	PU
9 130 900	100

### Measures



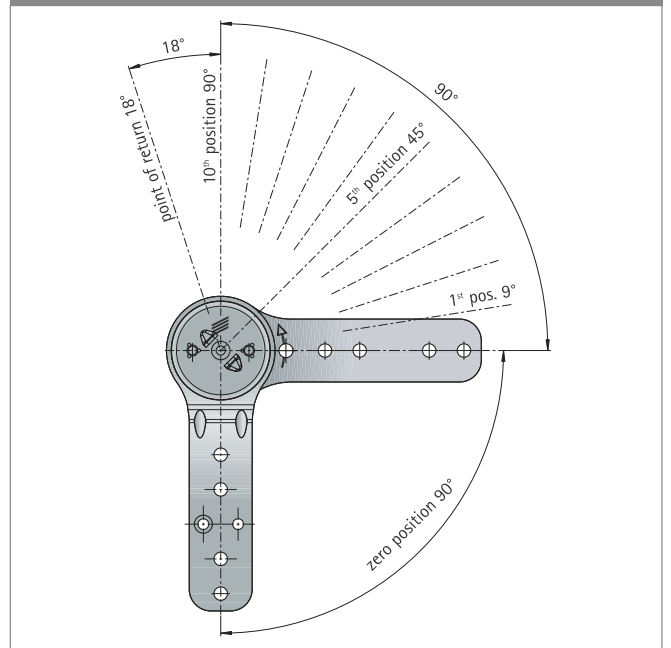
## FrankoFlex

### FrankoFlex

- ▶ zero position 90°
- ▶ 10 adjusting positions

Order no.	PU
9 060 089	100

### Measures



# Cabinet & Drawer Lock

## Multipurpose lock



Description	Order no.	PU
Multipurpose Square Lock 22 mm	0 043 635	100ea.
Multipurpose Square Lock 32 mm	9 110 389	100ea.
Multipurpose Square Lock 22 mm - 400 KC	9 219 182	200ea.
Multipurpose Square Lock 22 mm - 2000 KC with MK & RK	9 147 873	200ea.
Multi-drawer Pedestal Lock 600 mm - 400 KC	9 219 491	200ea.
Multi-drawer Pedestal Lock 600 mm - 2000 KC with MK & RK	9 183 417	200ea.
Multi Drawer Set Lock 600 mm	0 043 637	100ea.

## Cylinder Cam lock



- ▶ With installed bolt, 2 mm cranked / 11 mm cranked / Flat cam
- ▶ Right hand drawer locking (depending on installation situation)
- ▶ Complete with rosette
- ▶ Nickel plated

Description	Order no.	PU
Cylinder cam lock Fix Barrel 200KC-2 mm crank	9 227 175	200ea.
Cylinder cam lock Fix Barrel 200KC-Flat cam	9 227 176	200ea.
Cylinder cam lock Fix Barrel 200KC-11 mm crank	9 227 177	200ea.

## Push-Lock



- ▶ Suitable for Sliding doors
- ▶ Complete with rosette
- ▶ Nickel-plated

Description	Order no.	PU
Push-Lock 22 mm 200 KC with Master Key	9 180 613	200ea.
Push-Lock 32 mm 200 KC with Master Key	9 182 732	200ea.

## Cylinder espagnolette lock, Prestige 2000



### Espagnolette cabinet lock for 20mm doors for normal doors upto 6.5 ft.:

- ▶ Can be set for left / right
- ▶ Including adjustable key removal preventer
- ▶ Complete with rosette
- ▶ Nickel-plated

Description	Order no.	PU
Prestige 2000 set Z23 dia 18-20 mm	9 136 128	10 set
Espagnolette rod 1000 mm length	0 072 251	10 pc
Espagnolette rod 1500 mm length	0 072 253	10 pc
Lock barrel+keys Z23 18001-18050	9 078 861	10 pc

# Cabinet & Drawer Lock

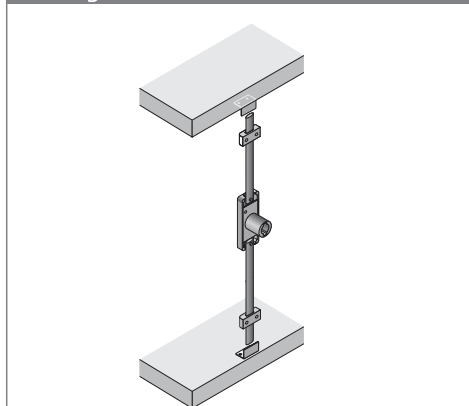
## Espagnolette Cabinet Lock For 26mm Doors for Upto 8 ft



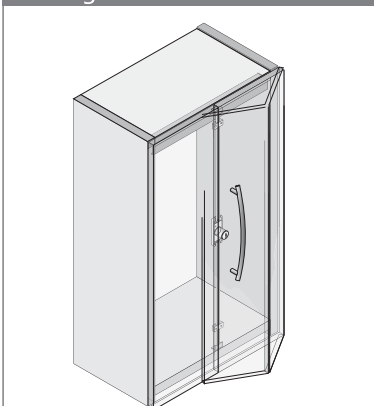
- ▶ Can be set for left / right
- ▶ Including adjustable key removal preventer
- ▶ Complete with rosette
- ▶ Nickel-plated

Description	Order no.	PU
Prestige 2000 set Z23 dia 18-26 mm	9 154 261	10 set
Espagnolette rod 1000 mm length	0 072 251	10 pc
Espagnolette rod 1500 mm length	0 072 253	10 pc
Lock barrel+keys Z23 18001-18050	9 078 861	10 pc

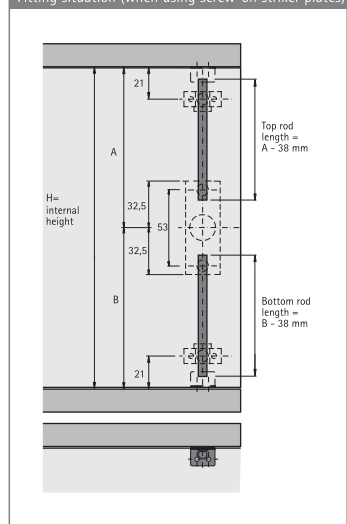
Fitting situation



Fitting situation



Fitting situation (when using screw-on striker plates)



## Sliding door cylinder lock



Sliding door cylinder lock for exchangeable barrels for 3-door sliding door cabinets:

Set comprises:

- ▶ 1 cylinder lock and rosette, nickel-plated
- ▶ 1 locking bar, 1200 mm long, can be shortened to 500 mm as required, bright steel
- ▶ 2 angled plates, right / left, black plastic

Description	Order no.	PU
3 Door sliding Lock set Z23, $\varnothing$ 18 mm	9 133 927	10 set
Lock barrel+keys Z23 18001-18050	9 078 861	10 pc



Sliding door cylinder lock for exchangeable barrels for 2-door sliding door cabinets:







- ▶ Complete with rosette
- ▶ Nickel-plated
- ▶ Drill bits for hand and pillar drills

Description	Order no.	PU
2 Door sliding Lock set Z23, $\varnothing$ 18 mm	9 133 926	10 set
Lock barrel+keys Z23 18001-18050	9 078 861	10 pc



# Handles

## Econ Handle

Product	Order no.	Hole Distance	Finish	Qty.	Unit	PU
Adonia 	1 180 122	96	Nickel Matt	1	Pc	200
	1 180 121	128	Nickel Matt	1	Pc	150
Alano 	1 180 167	96	Nickel Matt	1	Pc	200
	1 180 166	128	Nickel Matt	1	Pc	125
Ancona 	1 161 173	96	Nickel Matt	1	Pc	60
	1 161 167	128	Nickel Matt	1	Pc	50
Agacia 	9 220 976	96	Nickel Matt	1	Pc	50
	9 220 978	128	Nickel Matt	1	Pc	50
Agacia 	9 220 975	96	Bright Chrome	1	Pc	50
	9 220 977	128	Bright Chrome	1	Pc	50
Andera 	9 220 980	96	Nickel Matt	1	Pc	50
	9 220 982	128	Nickel Matt	1	Pc	50
Andera 	9 220 979	96	Bright Chrome	1	Pc	50
	9 220 981	128	Bright Chrome	1	Pc	50



## Screw



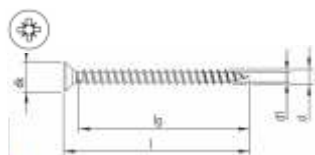
Hettich connecting fittings ensure that all modules are reliably and durably connected, thus assuring the stability of your furniture.

**The product range is vast:**

For furniture elements and worktops, plinths and panels, lightweight elements and lots more - with Hettich, you can be sure of finding the right, easy-to-use connecting fitting.

# Screw

## HETTICH – Countersunk Saw Thread

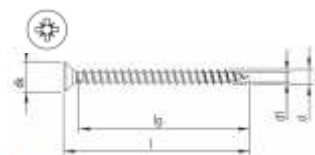


Material  
Finish  
Head  
Drive  
Thread  
Packing

Steel  
Zinc Coated  
Countersunk  
Pozi Drive  
Saw  
Small/Retail

Dimension	Gauge	Article No	Unit	PU
Ø3.5 x 16	6	9 246 006	Pc	200
Ø4.0 x 20	8	9 246 007	Pc	200
Ø4.0 x 25	8	9 246 108	Pc	200
Ø4.0 x 30	8	9 246 109	Pc	200
Ø3.5 x 20	6	9 153 820	Pc	1000
Ø3.5 x 25	6	9 162 379	Pc	1000
Ø3.5 x 30	6	9 162 380	Pc	1000
Ø3.5 x 35	6	9 169 371	Pc	1000
Ø3.5 x 40	6	9 162 381	Pc	500
Ø4.0 x 12	8	9 169 372	Pc	1000
Ø4.0 x 16	8	9 137 992	Pc	1000
Ø4.0 x 20	8	9 137 991	Pc	1000
Ø4.0 x 25	8	9 137 993	Pc	1000
Ø4.0 x 30	8	9 140 272	Pc	1000
Ø4.0 x 35	8	9 140 274	Pc	500
Ø4.0 x 40	8	9 140 275	Pc	500
Ø4.0 x 45	8	9 140 276	Pc	500
Ø4.0 x 50	8	9 169 373	Pc	500
Ø5.0 x 50	10	9 148 093	Pc	200
Ø5.0 x 60	10	9 153 821	Pc	200
Ø5.0 x 70	10	9 153 822	Pc	200
Ø5.0 x 80	10	9 169 376	Pc	100
Ø5.0 x 90	10	9 169 378	Pc	100
Ø5.0 x 100	10	9 169 380	Pc	100

## HETTICH – Pan head Saw Thread

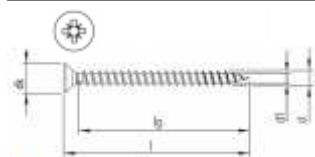


Material  
Finish  
Head  
Drive  
Thread  
Packing

Steel  
Zinc Coated  
Pan head  
Pozi Drive  
Saw  
Retail

Dimension	Gauge	Article no.	Unit	PU
Ø3.5 x 12	6	9 169 383	Pc	1000
Ø3.5 x 16	6	9 169 384	Pc	1000
Ø4.0 x 16	8	9 137999	Pc	1000
Ø4.0 x 20	8	9 140 280	Pc	1000
Ø4.0 x 25	8	9 140 282	Pc	1000
Ø4.0 x 30	8	9 169 386	Pc	500
Ø4.0 x 35	8	9 169 387	Pc	500

## HETTICH – Stainless Steel CounterSunk Saw thread



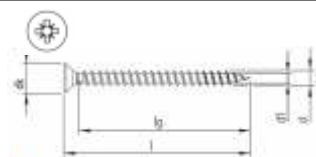
Material  
Finish  
Head  
Drive  
Thread  
Packing

Magnetic  
-  
Countersunk  
Pozi Drive  
Saw  
Retail

Dimension	Gauge	Article no.	Unit	PU
Ø3.5 x 12	6	9 162 382	Pc	1000
Ø3.5 x 16	6	9 154 452	Pc	1000
Ø3.5 x 20	6	9 162 383	Pc	1000
Ø3.5 x 25	6	9 162 384	Pc	1000
Ø3.5 x 30	6	9 162 385	Pc	1000
Ø3.5 x 35	6	9 162 386	Pc	1000
Ø4.0 x 16	8	9 162 388	Pc	1000
Ø4.0 x 20	8	9 154 453	Pc	1000
Ø4.0 x 25	8	9 154 454	Pc	1000
Ø4.0 x 30	8	9 154 455	Pc	1000
Ø4.0 x 35	8	9 154 456	Pc	500
Ø4.0 x 40	8	9 162 389	Pc	500
Ø5.0 x 50	10	9 154 459	Pc	200
Ø5.0 x 60	10	9 169 394	Pc	200
Ø5.0 x 70	10	9 154 461	Pc	200

# Screw

## HETTICH - Zinc Countersunk Industrial Packing



Material  
Steel  
Finish  
Zink  
Head  
Countersunk  
Drive  
Pozi Drive  
Thread  
Saw  
Packing  
Industrial

S.no.	Description Et Dimension	Qty.	Article No.	Unit	PU
1	Ø3.5 x 12	6	9 200 221	Pc	28000
2	Ø3.5 x 16	6	9 200 222	Pc	25000
3	Ø3.5 x 20	6	9 200 223	Pc	20000
4	Ø4.0 x 16	8	9 200 224	Pc	17000
5	Ø4.0 x 20	8	9 200 225	Pc	15000
6	Ø4.0 x 25	8	9 200 226	Pc	13000
7	Ø4.0 x 30	8	9 200 227	Pc	10000
8	Ø4.0 x 35	8	9 200 228	Pc	9000
9	Ø5.0 x 50	10	9 200 252	Pc	4500
10	Ø5.0 x 60	10	9 200 253	Pc	3200
11	Ø5.0 x 70	10	9 200 254	Pc	2300

## HETTICH - Handle Fixing Screws



Material  
Steel  
Finish  
Zinc Coated  
Head  
Pan head  
Drive  
Cross recessed  
Thread  
M4  
Packing  
Retail

S.no.	Description Et Dimension	Qty.	Article No.	Unit	PU
1	Handle Fixing Screw M4 x 22	100	0 071 549	Pc	1000
2	Handle Fixing Screw M4 x 24	100	0 071 555	Pc	1000
3	Handle Fixing Screw M4 x 26	100	0 071 556	Pc	1000
4	Handle Fixing Screw M4 x 28	100	0 071 557	Pc	500
5	Handle Fixing Screw M4 x 30	100	0 071 558	Pc	500
6	Handle Fixing Screw M4 x 32	100	0 071 559	Pc	500
7	Handle Fixing Screw M4 x 34	100	0 071 560	Pc	500
8	Handle Fixing Screw M4 x 36	100	0 071 561	Pc	500
9	Handle Fixing Screw M4 x 38	100	0 071 562	Pc	500

# Handle fixing screw (Machine screw)

## Handle fixing screw

Material	Steel
Finish	Zinc Coated
Head	Pan head
Drive	Cross recessed
Thread	M4
Packing	Retail

S.no.	Description
1	Handle fixing screw
2	Handle fixing screw
3	Handle fixing screw
4	Handle fixing screw
5	Handle fixing screw
6	Handle fixing screw
7	Handle fixing screw
8	Handle fixing screw
9	Handle fixing screw
10	Handle fixing screw
11	Handle fixing screw
12	Handle fixing screw
13	Handle fixing screw
14	Handle fixing screw
15	Handle fixing screw



Dimension	Order no.	Unit	PU
M4 x 12	0 071 544	Pc	50
M4 x 14	0 071 545	Pc	50
M4 x 16	0 071 546	Pc	50
M4 x 18	0 071 547	Pc	50
M4 x 20	0 071 548	Pc	50
M4 x 22	0 071 549	Pc	50
M4 x 24	0 071 555	Pc	50
M4 x 26	0 071 556	Pc	50
M4 x 28	0 071 557	Pc	50
M4 x 30	0 071 558	Pc	50
M4 x 32	0 071 559	Pc	50
M4 x 34	0 071 560	Pc	50
M4 x 36	0 071 561	Pc	50
M4 x 38	0 071 562	Pc	50
M4 x 40	0 071 563	Pc	50

## Application (Usage)

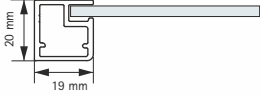
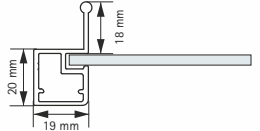
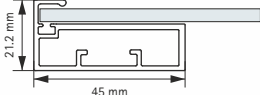
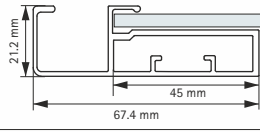
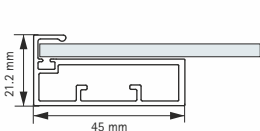
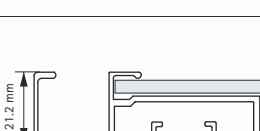
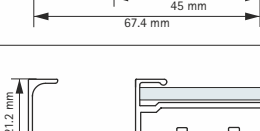
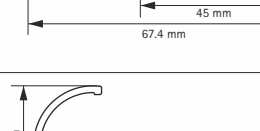
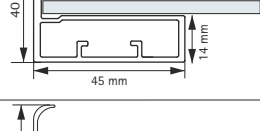
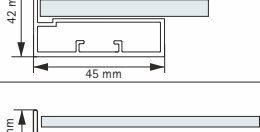
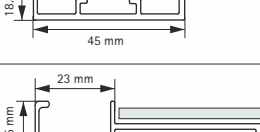
Screw Size	Description
3.5 x 12	For 16mm panels - Fixing FR Roller Drawer Channel, Magnetic Catches, MP locks etc.
3.5 x 16	For 19mm panels - Fixing FR, Magnetic Catches, MP locks & Auto Closing Hinges etc.
4 x 20	For 25mm panels - KA (Telescopic) & Quadro Drawer Slides, Auto Closing & Butt Hinges etc.
4 x 25	For 25mm panels and upto 30mm panels
4 x 30	For 32mm panels, for cabinet construction of panels 16mm thickness
4 x 35	For lengths over 35mm the screws are mostly used in joinery wood to wood cabinet construction etc.
4.5 x 40	For lengths over 35mm the screws are mostly used in joinery wood to wood cabinet construction etc.
4.5 x 45	Joinery, cabinet construction





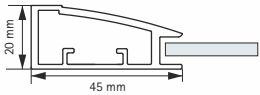
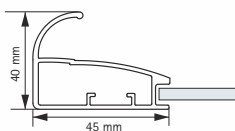
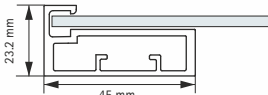
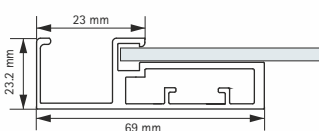
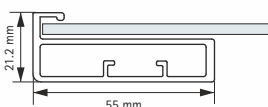
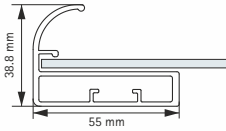
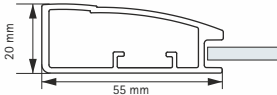
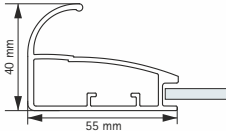
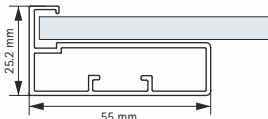
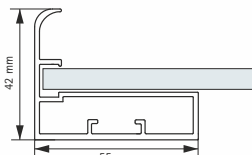
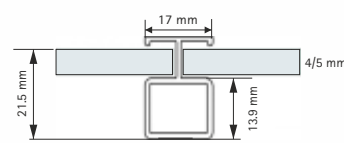

Aluminium frame doors offer a modern, sleek look in any application. They offer exciting design potential with a range of inserts and choice of frame to suit your individual design. With Aluminium frame doors, designers have the unique option of choosing either an aluminium finish or a stainless steel finish. The lightly brushed stainless steel finish blends beautifully with modern interiors.

# Aluminum profile collection

S.no.	Description	Profile Section	Glass Thickness	Width (mm)	Length (mm)	Finish	Order no.	PU
1	19 mm Straight Frame Profile		4 mm	19	3000	SA	9 113 071	04
						CP	9 216 230	04
						SS	9 119 030	04
2	19 mm Straight Frame Profile with handle		4 mm	19	3000	SA	9 113 914	04
						CP	9 216 231	04
						SS	9 119 044	04
3	45 mm (Econ) Straight Frame Profile for small shutters		4 mm	45	3000	SA	9 224 276	04
4	45 mm (Econ) Straight Frame Profile with L Handle for small shutters		4 mm	45	3000	SA	9 224 277	04
5	45 mm Straight Frame Profile		4 mm	45	3000	SA	9 113 915	04
						CP	9 154 640	04
						SS	9 119 040	04
						CH	9 223 365	04
6	45mm Straight Frame Profile with L Handle		4 mm	45	3000	SA	9 135 075	04
						CP	9 154 641	04
						SS	9 153 794	04
						CH	9 223 336	04
7	45mm Straight Frame Profile with G Handle		4 mm	45	3000	SA	9 135 077	04
						CP	9 216 226	04
						SS	9 153 795	04
						CH	9 223 368	04
8	45mm Straight Frame Profile with C Handle		4 mm	45	3000	SA	9 113 916	04
						CP	9 216 227	04
						SS	9 119 039	04
						CH	9 223 369	04
9	45mm Straight Frame Profile with F Handle		4 mm	45	3000	SA	9 148 134	04
						CP	9 154 642	04
						CH	9 223 367	04
10	45mm Straight Stick-On Frame Profile		4 mm	45	3000	SA	9 148 108	04
						CP	9 216 232	04
						SS	9 148 110	04
11	45mm Straight Stick-On Frame Profile with L handle		4 mm	45	3000	SA	9 148 090	04
						CP	9 216 233	04
						SS	9 148 131	04

• CP - Chrome finish • SS - Stainless steel finish • SA - Silver finish • CH - Champagne Finish

# Aluminum profile collection

S.no.	Description	Profile Section	Glass Thickness	Width (mm)	Length (mm)	Finish	Order no.	PU
12	45mm Curved Frame Profile		4 & 5 mm	45	3000	SA	9 113 917	04
13	45mm Curved Frame Profile with C Handle		4 & 5 mm	45	3000	SA	9 113 918	04
14	45mm Straight Frame Profile for 6mm glass		6 mm	45	3000	SA	9 148 112	04
15	45mm Straight Frame Profile with L Handle for 6mm glass		6 mm	45	3000	SA	9 148 132	04
16	55mm Straight Frame Profile		4 mm	55	3000	SA	9 113 070	04
						CP	9 154 638	04
						SS	9 119 032	04
17	55mm Straight Frame Profile with C Handle		4 mm	55	3000	SA	9 113 912	04
						CP	9 154 639	04
						SS	9 119 042	04
18	55mm Curved Frame Profile		4 & 5mm	55	3000	SA	0 020 035	04
						CP	9 216 228	04
						SS	9 119 033	04
19	55mm Curved Frame Profile with C Handle		4 & 5mm	55	3000	SA	9 113 913	04
						CP	9 216 229	04
						SS	9 119 043	04
20	55mm Straight Frame Profile for 8 mm glass		8 mm	55	3000	SA	9 148 114	04
21	55mm Straight Frame Profile With F Handle for 8 mm glass		8 mm	55	3000	SA	9 148 136	04
22	Mid Way Joining profile		4 & 5mm	17	3000	SA	9 148 138	08
						CP	9 216 234	08
						SS	9 148 139	08
			Connector set					9 153 818
23	Angle Connector Set (For all aluminum profiles)		1 Set Consists of 4 connectors & 8 screws				0 013 684	20

• CP - Chrome finish • SS - Stainless steel finish • SA - Silver finish • CH - Champagne Finish

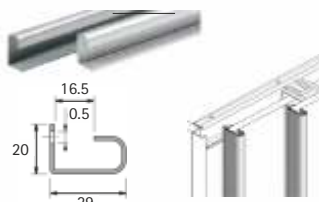
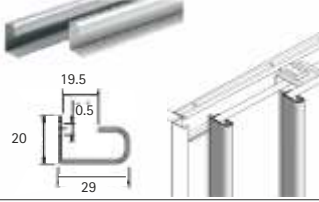
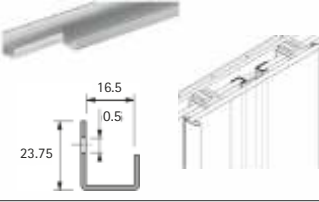
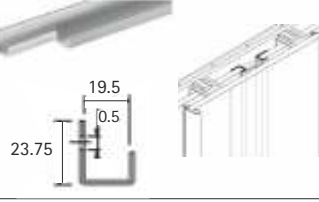
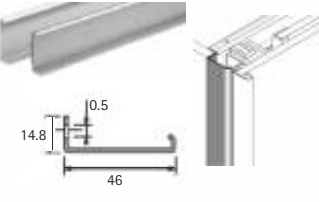
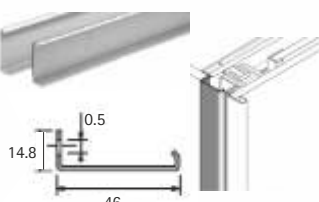
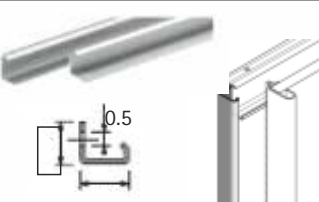
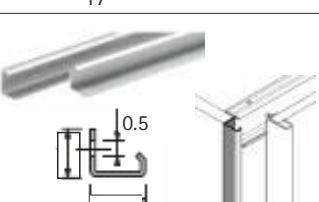
# Aluminum profile collection

## ► Gola Profile

Item Description	Profile Section	Length (mm)	Finish	Order no.	Unit	PU		
<b>Gola Profile</b>								
Gola profile C Type		3000	SA	9 212 797	Pc	10		
			CP	9 212 559	Pc	10		
			SS	9 212 560	Pc	10		
Gola profile L Type		3000	SA	9 212 828	Pc	10		
			CP	9 212 561	Pc	10		
			SS	9 212 562	Pc	10		
Item Description	Product	Compatible with	Side	Order no.	Unit	PU		
<b>Gola Profile Accessories</b>								
Gola Profile End Cap for C Type with screws		SA & CP	Left	9 212 563	Pc	20		
			Right	9 212 564	Pc	20		
		SS	Left	9 218 244	Pc	20		
			Right	9 218 245	Pc	20		
Gola Profile End Cap for L Type with screws		SA & CP	Left	9 212 565	Pc	20		
			Right	9 212 566	Pc	20		
		SS	Left	9 218 246	Pc	20		
			Right	9 218 247	Pc	20		
Gola Outer Angle Profile Connector with screws		SA & CP		9 212 567	Pc	20		
		SS		9 218 248	Pc	20		
Gola Inner Angle Profile Connector with screws		SA & CP		9 212 568	Pc	20		
		SS		9 218 269	Pc	20		
Gola L Connector set with screws		-		9 220 600	Pc	20		
Item Description	Profile Section	Suitable for (mm)	Width (mm)	Length (mm)	Finish	Order no.	Unit	PU
<b>Edge Profile</b>								
Edge Profile (22 mm)		19 mm board thickness	22	3000	SA	9 148 140	Pc	08
					CP	9 154 644	Pc	08
					SS	9 148 141	Pc	08
Edge Profile (25 mm)		22 mm board thickness	25	3000	SA	9 148 142	Pc	08
					CP	9 154 645	Pc	08
					SS	9 148 143	Pc	08
Edge Profile for Wall cabinet		18 mm board thickness onwards	-	3000	SA	9 212 831	Pc	12
					SS	9 212 832	12	12
<ul style="list-style-type: none"> <li>● CP – Chrome finish</li> <li>● SS – Stainless steel finish</li> <li>● SA – Silver finish</li> <li>● CH – Champagne Finish</li> </ul>								

# Aluminum profile collection

## ► Special profiles for sliding doors

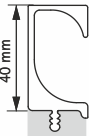
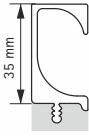
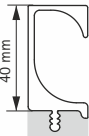
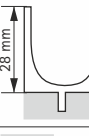
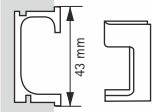
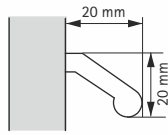
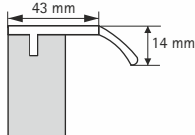
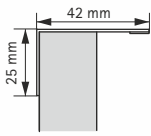
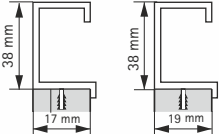
Item Description	Profile Section	Details	Order no.	Unit	PU
<b>Aluminum Door Profiles for 2/3 Sliding Door Carcases</b>					
Door Profile for door thicknesses (15-16 mm)		Aluminum Silver Anodised Door Profile : 2050 mm (3 nos. for 2 door carcass ; 4 nos. for 3 door carcass)	9 117 416	Pc	04
Door Profile for door thicknesses (18-19 mm)		Aluminum Silver Anodised Door Profile : 2500 mm (3 nos. for 2 door carcass ; 4 nos. for 3 door carcass)	9 136 121	Pc	04
Door end profile, U shape for door thick. 15-16 mm (Aluminum silver)		Aluminum Silver Anodised Door End Profile: 2050 mm ( 2 nos. for 3 door carcass)	9 117 420	Pc	04
Door end profile, U shape for door thicknesses 18-19 mm (Aluminium silver)		Aluminum Silver Anodised Door End Profile: 2500 mm ( 2 nos. for 3 door carcass)	9 136 122	Pc	04
Carcass end Profile for Frontmost Door		Aluminum Silver Carcass End Profile (Frontmost Door) : 2100 mm (1 nos. for 2 door carcass ; 2 nos. for 3 door carcass)	9 117 463	Pc	04
Carcass end Profile for Frontmost Door		Aluminum Silver Carcass End Profile (Frontmost Door) : 2500 mm (1 nos. for 2 door carcass ; 2 nos. for 3 door carcass)	9 146 624	Pc	04
Carcass end Profile for Rearmost Door		Aluminum Silver Carcass End Profile (Rearmost Door) : 2100 mm (1 nos. for 2 door carcass)	9 117 462	Pc	04
Carcass end Profile for Rearmost Door		Aluminum Silver Carcass End Profile (Rearmost Door) : 2500 mm (1 nos. for 2 door carcass)	9 146 622	Pc	04

• CP - Chrome finish • SS - Stainless steel finish • SA - Silver finish • CH - Champagne Finish



# Aluminum profile collection

## ► Handle Profile

S.no.	Type	Profile Section	Details	Length (mm)	Finish	Order no.	PU
1	Handle Eslinga (G Profile)		Profile height 40mm	3000	SA	9 149 982	04
				3000	CP	9 216 235	04
				3000	SS	9 216 237	04
				3000	CH	9 223 362	04
2	Eslinga Econ (G Profile)		Profile height 35mm	3000	SA	9 153 797	04
				3000	CP	9 216 236	04
				3000	SS	9 216 238	04
3	Eslinga M (G Profile)		Profile height 40mm	3000	SA	9 224 278	04
4	Lutetia		Profile Ht- 28 mm	3000	SA	9 133 756	04
5	Spira		Profile Ht- 43 mm	2000	SA	9 126 106	04
			End Cap	-	-	9 126 165	20
6	Calisia			1700	SA	9 125 764	08
				1950	SA	9 125 763	08
7	Lindavia		for 19 mm board	2000	SA	9 125 832	12
8	Ticinum			2000	SA	9 131 455	12
9	Seveso		Profile height 38 for 17 mm thickness	2400	SA	1 161 199	06
			for 19 mm thickness	2400	SA	1 161 200	06

# NEW MODERN



Tempe



Vigilia



Apua



Nubia



Torino



Velitra



Capua



Meacum



Imperia



Evisa



Zenga



Cabo



Bermeo



Nursia



Nilus



Siligo



Cheam



Kabura



Tornea



Anzio



Arnum



Aratti



Aosta



Clivia



Kasti



Pola



Alvito



Pesaro



Guarani



Kilonia



Narona



Tian



Hale



Salvia



Kervo



Fermo



Stabia



Rovigo



Canis L



Canis C

# ProDecor Handle Collection

► NEW MODERN



Tofino



Ticinum



Seveso



Apolda



Danum



Celistra



Narni



Riaza



Vetera



Sion



Genoa



Empoli



Ginosa



Ameria



Spalatum



Rialto



Reso



Genzone



Agami



Bonania



Messana



Lamezia



Capris



Novae



Milo



Lindavia



Nidum



Onex



Venusia



Lutetia



Spira



Agrinum



Trani



Eslinga



Misnia



Monacum

# DELUXE



Amisia



Cerra



Belluno



Albaro



Sora



Tamazi



Utinum



Cecina



Sicilia



Saturnia



Istrana



Punia



Intra



Sarus



Opera



Itri



Lupia



Pagua



Laveno



Scectis



Forli



Mugo



Ponte



Itala



Vectis



Ispani



Buena



Veronia



Avola



Delia



Brema



Hafnia



Basilia



Alia



Lodi



Como



Baldone



Armini



Sovana



Sava

# ProDecor Handle Collection

► DELUXE



Solda



Londa



Malpelo



Matera



Amora



Ama



Fogo



Crosia



Caralis



Bona



## ORGANIC



# ProDecor Handle Collection

## ► ORGANIC



Equus



Sipontum



Murcia



Trento



Sala



Meana



Almus



Calisia



Sosa



Codania



Psilo



Esbo



Cirpi



Ladera



Serbinum



Issa



Novoli

# ProDecor Handle Collection

► FOLK

## FOLK



# ProDecor Handle Collection

## ► FOLK



Casa



Casoli



Byzantia



Getafe



Fanano



Abila



Gela



Galati



Nica



Filaga



Agnà



Agliano



Dublina



Arago



Lorica



Matane



Dodona



Cortale



Ciro



Burgio



Truro



Silesia



Saxa



Ballao



Sines



Ipses



Cilpes



Essa



Ostuni



Corona



Sipi



Galleno



Fossa



Solva



Larru



Urmia



Altedo

## MAGIC : LED light



### The fascination of light:

Why are sunsets so moving and beautiful? Because the entire landscape is bathed in soft, warm colours? Because new lighting moods are constantly created from one moment to the next? Or because we discover the world's contours in the backlight? We can't escape the fascination of light. And just as a sunset casts a spell over the landscape, so too can homescapes be orchestrated with a mood that excites. All you need for this is right in front of you: the Magic Lighting Worlds from Hettich.

Discover the captivating panorama of innovative furniture lights and convenient control concepts. Put the right light on your furnishing ideas - with our lighting ideas in your furniture.



# Magic Lights

## ► Linear Light

### Versa Inside 60



#### Advantages

- Flexible, self-adhesive
- Double-side supply lead for length 5000 mm (one cut, two lights), see drawing

#### Features

- Low installation height
- Can be individually cut to length
- Successor product of Versa Inside 5

#### Examples of use

- Universal application
- Can be combined with ChannelLine profiles

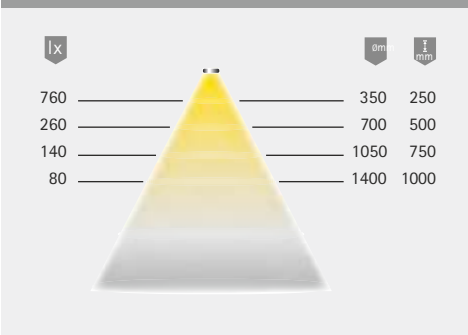
#### Ordering information

- To find the right combination of light and catalogue! ballast, please note pictograms in the light
- For possible combinations, see Versa overview
- Sales unit: 1
- For Connector 90 2 additional direct connectors are required

### Technical details in brief



### Light distribution diagram / 70° (length 600 mm)



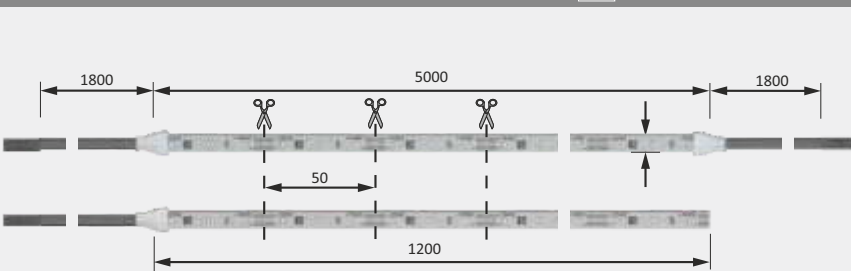
### Light box



Lamp type:	LED surface-mounted light
Type of lighting:	Accent lighting
Operating voltage:	12 V DC
Light colour:	Extra warm white / warm white / neutral white / cool white / MultiWhite
Colour rendering index CRI:	> 90
Energy efficiency:	A+
	90 lm / W
Life span:	30,000 h (L70)
Power consumption:	4.8 W / m
Max. length at a stretch:	7 m
Dimmable:	Yes
Number of LEDs:	60 / m
Beam angle:	70°
Test marks and symbols:	CE ◊ ◊ ◊ ◊
Protection rating:	IP 20
Supply lead:	1800 mm
Plug connection:	LED mini M1 plug connector
Connection to:	LED ballast

### Dimensional drawing / installation

Light can be cut to size



Item Description	Order no.	PU
LED Versa Inside 60,12VDC, Warm White, L=5m, 4.8W/m LTG 1.8m, M1	5 580 113	01

### Linear Light Accessories

Item Description	Order no.	PU
Feeder 1700 mm for sections (max. 36 W), 12 V DC	3 633 002	01
Direct Connector (max. 36 W)[Strip to strip connector]	3 633 401	01
Direct Connector 90° (max. 36W)	3 633 501	01



# Magic Lights

## ► Linear Light

### Versa Inside 90



#### Advantages

- Flexible, self-adhesive
- Double-side supply lead for length 5000 mm (one cut, two lights), see drawing

#### Features

- Low installation height
- Can be individually cut to length

#### Examples of use

- Universal application
- Can be combined with ChannelLine profiles

#### Ordering information

- To find the right combination of light and catalogue! ballast, please note pictograms in the light
- For possible combinations, see Versa overview
- Sales unit: 1
- For Connector 90 2 additional direct connectors are required

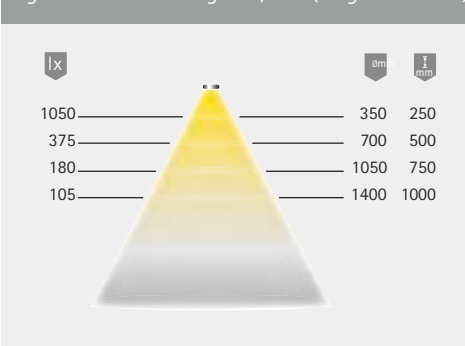
### Technical details in brief



12V

Lamp type:	LED surface-mounted light
Type of lighting:	Accent lighting
Operating voltage:	12 V DC
Light colour:	Extra warm white / warm white / neutral white / cool white / MultiWhite
Colour rendering index CRI:	> 90
Energy efficiency:	A+ 90 lm / W
Life span:	30,000 h (L70)
Power consumption:	7.2 W / m
Max. length at a stretch:	5 m
Dimmable:	Yes
Number of LEDs:	60 / m
Beam angle:	70°
Test marks and symbols:	CE ◊ ▽ ▽
Protection rating:	IP 20
Supply lead:	1800 mm
Plug connection:	LED mini M1 plug connector LED ballast
Connection to:	

### Light distribution diagram / 70° (length 600 mm)



### Light box



### Dimensional drawing / installation

Light can be cut to size



Item Description	Order no.	PU
LED Versa Inside 90,12VDC, Warm White, L=5m, 7.2W/m LTG 1.8m, M1	5 580 513	01

### Linear Light Accessories

Item Description	Order no.	PU
Feeder 1700 mm for sections (max. 36 W), 12 V DC	3 633 002	01
Direct Connector (max. 36 W)[Strip to strip connector]	3 633 401	01
Direct Connector 90° (max. 36W)	3 633 501	01

# Magic Lights

- ▶ Channelline Profiles

## Channelline B



### Advantages

- ▶ Aluminium recessed profiles
- ▶ With opal (translucent) cover

### Features

- ▶ Profile for combination with one Versa light
- ▶ Caters for connectors inside profile
- ▶ Can be combined with Channelline sensor

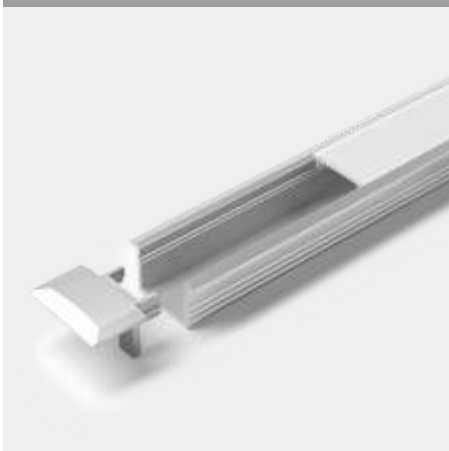
### Examples of use

- ▶ Furniture edges

### Ordering information

- ▶ Application image shows Channelline B with Versa Inside 60
- ▶ LED ballasts and LED lights must be ordered separately
- ▶ Sales unit: 1

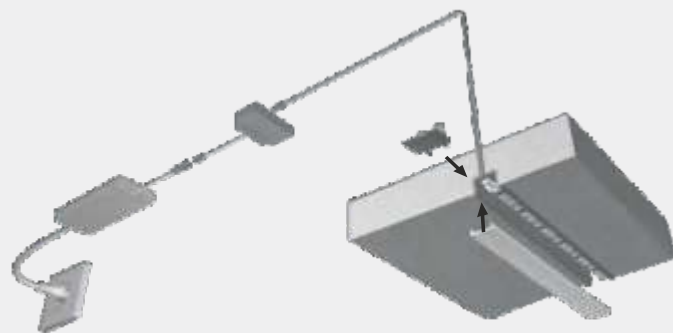
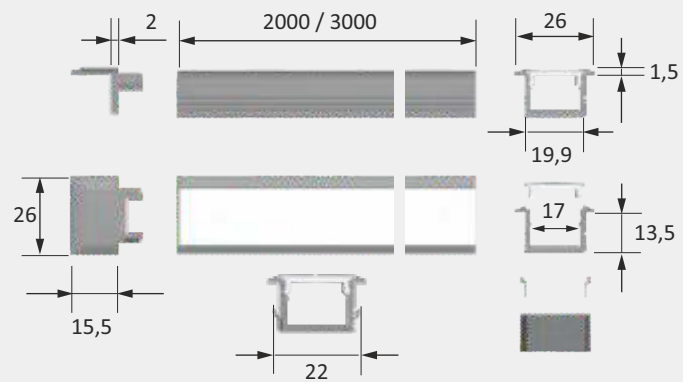
### Technical details in brief



#### Recommended for:

Versa Inside 60  
Versa Inside 90  
Versa Inside 120

### Dimensional drawing / installation



Item Description	Order no.	PU
Channelline B, Opal Cover, Aluminium / plastic profile 3000 mm, Depth =13.5 mm	5 566 002	01
End cap (2 units per set)	2 556 801	01
Spring Channel Line B/C	2 553 601	01

# Magic Lights

- ▶ Channelline Profiles

## Channelline F



### Advantages

- ▶ Opal (translucent) plastic profile

### Features

- ▶ Profile for combination with one Versa light
- ▶ Caters for connectors inside profile

### Examples of use

- ▶ Furniture

### Ordering information

- ▶ Application image shows Channelline F with Versa Inside 60
- ▶ LED ballasts and LED lights must be ordered separately
- ▶ Sales unit: 1

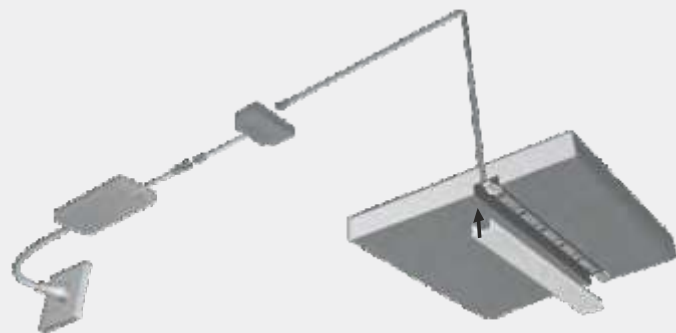
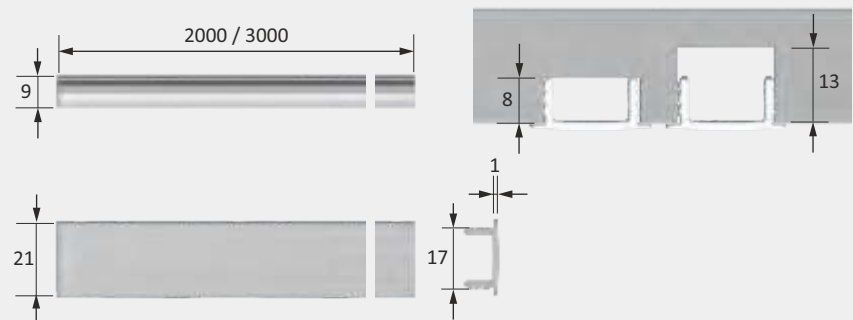
### Technical details in brief



#### Recommended for:

- Versa Inside 60
- Versa Inside 90
- Versa Inside 120

### Dimensional drawing / installation



Item Description	Order no.	PU
Channelline F, Opal Cover, Plastic profile 3000 mm, Depth =8 mm	0 556 402	01

# Magic Lights

- ▶ Channelline Profiles

## Channelline H



### Advantages

- ▶ Aluminium surface-mounted profile
- ▶ With opal (translucent) cover

### Features

- ▶ Profile for combination with one Versa light
- ▶ Cable can be fed from rear of light

### Examples of use

- ▶ Furniture edges
- ▶ Kitchen midway sections

### Ordering information

- ▶ Application image shows Channelline H with Versa Inside 120 HP
- ▶ LED ballasts and LED lights must be ordered separately
- ▶ Sales unit: 1

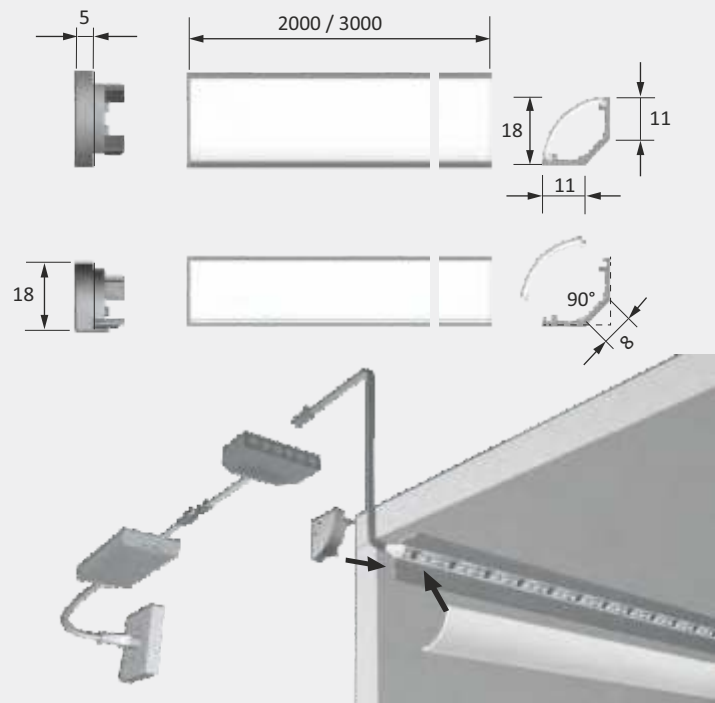
### Technical details in brief



#### Recommended for:

- Versa Inside 60
- Versa Inside 90
- Versa Inside 120
- Versa Inside 120 HP

### Dimensional drawing / installation



Item Description	Order no.	PU
Channelline H, Opal Cover, Aluminium / plastic profile 3000 mm, Depth =11mm	5 570 602	01
End cap (Set of 2)	2 555 901	01



# Magic Lights

- ▶ Channelline Profiles

## Channelline C



### Advantages

- ▶ Aluminium recessed profiles
- ▶ Opal cover

### Features

- ▶ Can be combined with Channelline sensor

### Examples of use

- ▶ Furniture edges

### Ordering information

- ▶ Application image shows Channelline C with Versa Inside 120
- ▶ LED ballasts and LED lights must be ordered separately
- ▶ Sales unit: 1

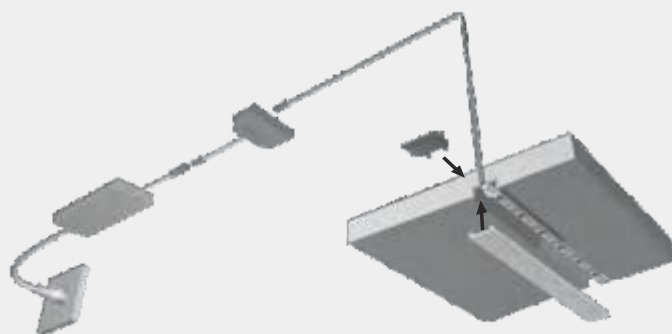
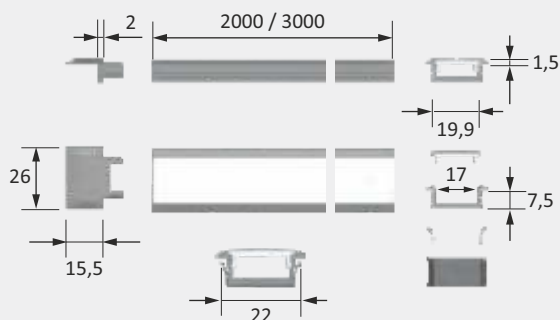
### Technical details in brief



#### Recommended for:

- Versa Inside 60
- Versa Inside 90
- Versa Inside 120
- Versa Inside 120 HP

### Dimensional drawing / installation



Item Description	Order no.	PU
Channelline C, Aluminium/plastic profile 3000 mm, Opal cover, Depth = 7.5mm	5 566 102	01
End cap (2 units per set)	2 556 901	01



# Magic Lights

- ▶ Channelline Profiles

## Channelline D



### Advantages

- ▶ Aluminium surface-mounted/recessed profile
- ▶ Opal cover

### Features

- ▶ Can be combined with Channelline sensor

### Examples of use

- ▶ Furniture edges

### Ordering information

- ▶ Application image shows Channelline D with Versa Inside 90
- ▶ LED ballasts and LED lights must be ordered separately
- ▶ Sales unit: 1

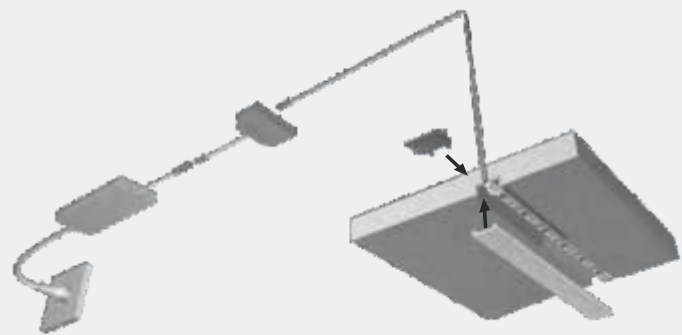
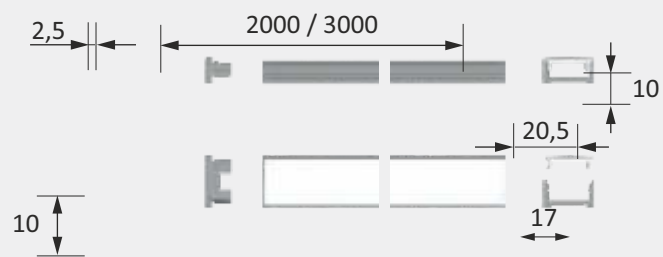
### Technical details in brief



#### Recommended for:

- Versa Inside 60
- Versa Inside 90
- Versa Inside 120
- Versa Inside 120 HP

### Dimensional drawing / installation

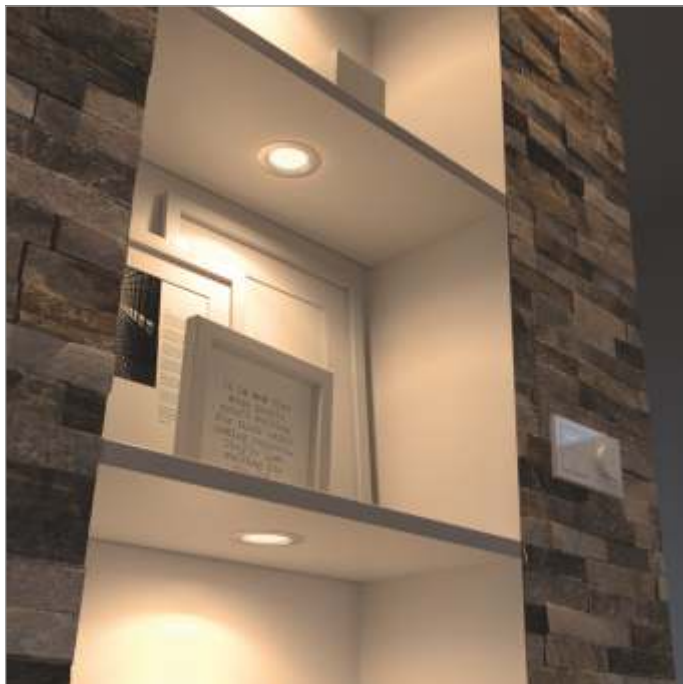


Item Description	Order no.	PU
Channelline Versa D - L=3000 mm, opal cover, Depth = 10 mm	5 566 202	01
End cap (2 units per set)	2 557 001	01

# Magic Lights

## ► Spotlights

### EcoPower L



#### Advantages

- Entry-level recessed spotlight
- Compact light

#### Features

- Recessed light with 68 mm installed diameter

#### Examples of use

- Shelves
- Display cabinets
- Niches

#### Ordering information

- To find the right combination of light and ballast, please note pictograms in the light catalogue!
- Sales unit: 1

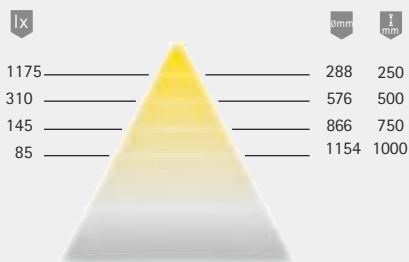
#### Technical details in brief



12V

Lamp type:	LED recessed light
Type of lighting:	Functional / accent lighting
Surface finish:	Aluminium look / stainless steel look
Operating voltage:	12 V DC
Light colour:	Warm white / neutral white / MultiWhite
Colour rendering index CRI:	> 80
Energy efficiency:	A+
Life span:	30,000 h (L70)
Power consumption:	3.2 W
Dimmable:	Yes
Beam angle:	60°
Test marks and symbols:	CE
Protection rating:	IP 44
Installed diameter:	68 mm
Supply lead:	1800 mm
Plug connection:	LED mini M1 plug connection
Connection to:	LED ballast

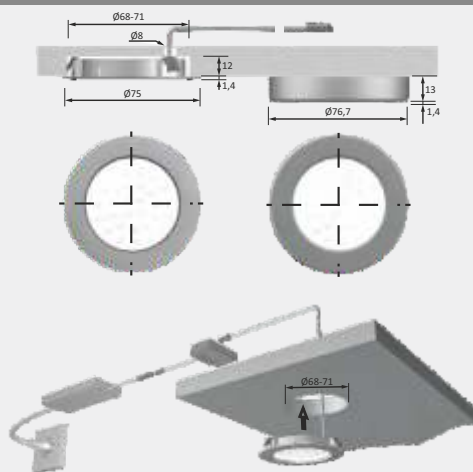
#### Light distribution diagram / 60°



#### Light box



#### Dimensional drawing / installation

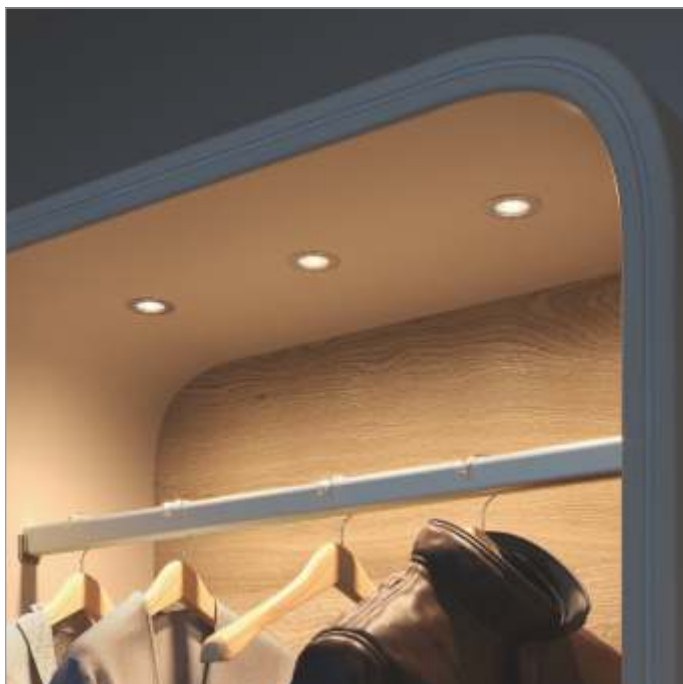


Item Description	Order no.	PU
EcoPower L, Aluminium look, WW, 3.2 W	3 214 416	01
Surface mounted housing aluminum finish	3 623 606	01

# Magic Lights

## ► Spotlights

### Eco Spot



#### Advantages

- Entry-level recessed spotlight
- Compact light
- Evenly illuminated area

#### Features

- Recessed light with 58 mm installed diameter

#### Examples of use

- Shelves
- Display cabinets

#### Ordering information

- To find the right combination of light and ballast, please note pictograms in the light catalogue!
- Sales unit: 1

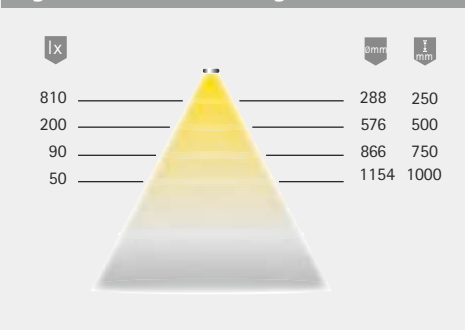
### Technical details in brief



12V

Lamp type:	LED recessed light
Type of lighting:	Functional / accent lighting
Surface finish:	Aluminium look / Stainless steel look
Operating voltage:	12 V DC
Light colour:	Warm white / neutral white
Colour rendering index CRI:	> 80
Energy efficiency:	A++ 87 lm/W
Life span:	30,000 h (L70)
Power consumption:	1.5 W
Dimmable:	Yes
Beam angle:	60°
Test marks and symbols:	CE, RoHS, Energy Star
Protection rating:	IP 20
Installed diameter:	58 mm
Supply lead:	1800 mm
Plug connection:	LED mini M1 plug connection
Connection to:	LED ballast

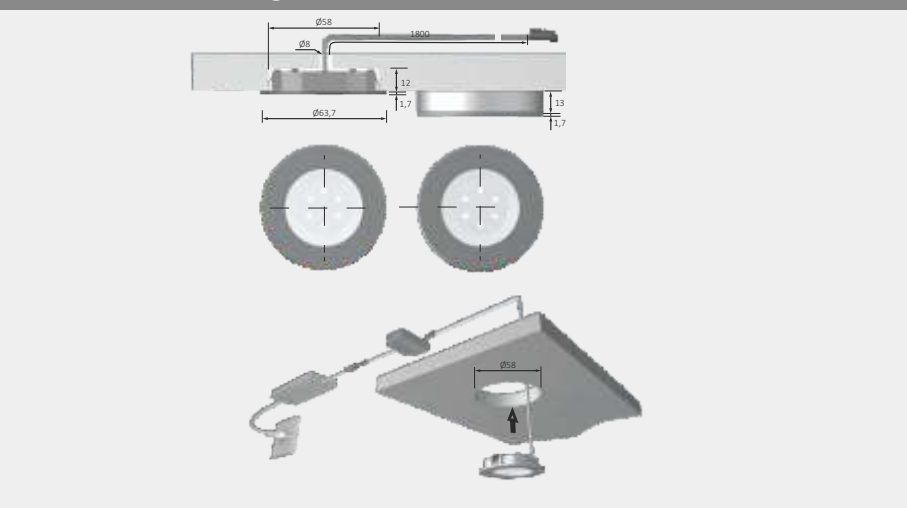
### Light distribution diagram / 60°



### Light box



### Dimensional drawing / installation



Item Description	Order no.	PU
Eco Spot, Aluminium look, Warm White, 1.5 W	3 215 316	01
Surface mounted housing aluminium finish	3 624 406	01

# Magic Lights

## ► Spotlights

### PowerLite Plus



#### Advantages

- Cone of light like halogen spot
- High-quality metal housing

#### Features

- Recessed light with 58 mm installed diameter
- High light output in relation to size
- Plug-in connection on housing

#### Examples of use

- Shelves
- Display cabinets
- Niches

#### Ordering information

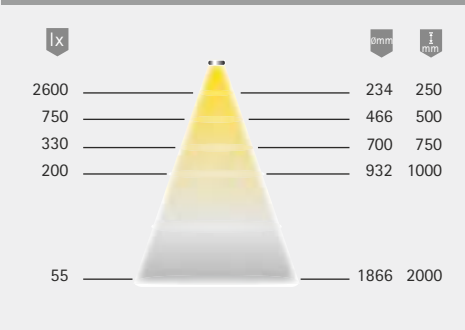
- To find the right combination of light and ballast, please note pictograms in the light catalogue!
- Sales unit: 1

#### Technical details in brief

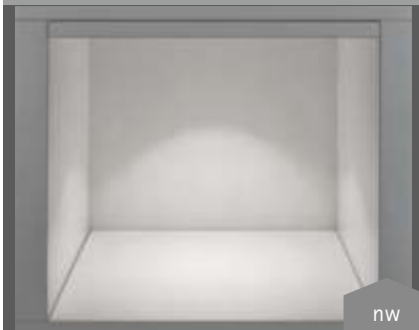


Lamp type:	LED recessed light
Type of lighting:	Functional / accent lighting
Surface finish:	Aluminium look / Stainless steel look
Operating voltage:	12 V DC
Light colour:	Warm white / neutral white
Colour rendering index CRI:	> 85
Energy efficiency:	A
	45 lm/W
Life span:	30,000 h (L70)
Power consumption:	3.5 W
Dimmable:	Yes
Beam angle:	50°
Test marks and symbols:	CE
Protection rating:	IP 44
Installed diameter:	56-58 mm
Supply lead:	3000 mm
Plug connection:	LED mini M1 plug connection
Connection to:	LED ballast

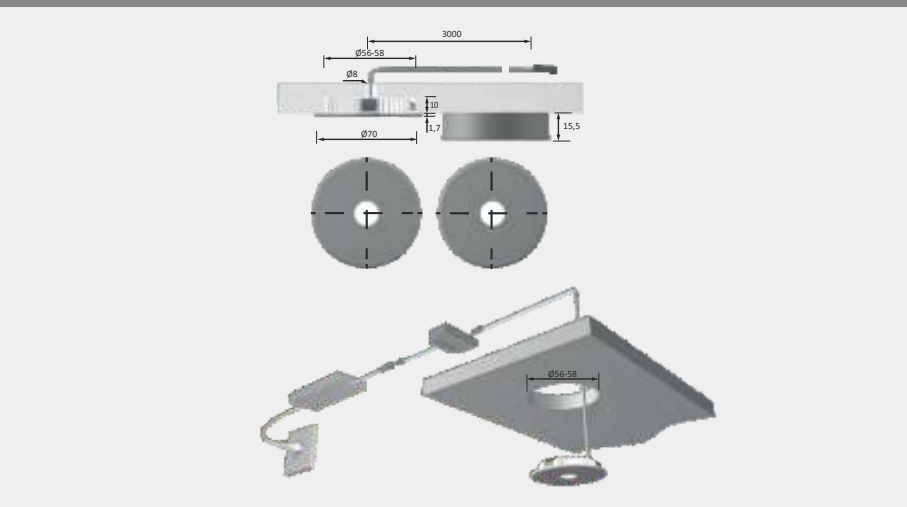
#### Light distribution diagram / 60°



#### Light box



#### Dimensional drawing / installation

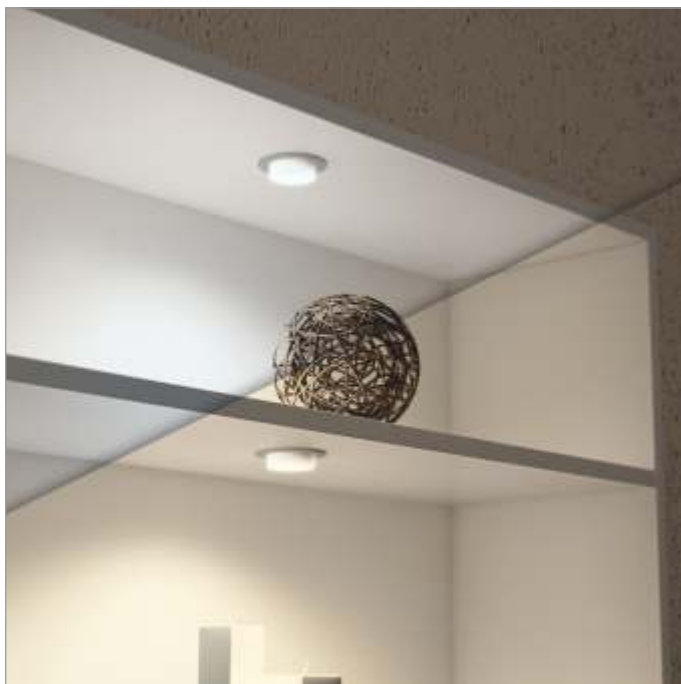


Item Description	Order no.	PU
PowerLite Plus round stainless steel look, 12 V DC, WW, 3.5 W	3 206 319	01
Surface mounting housing	3 699 709	01

# Magic Lights

## ► Spotlights

### MultiLite Flood



#### Advantages

- Designer light
- Evenly illuminated area

#### Features

- High light output in relation to size
- Plug-in connection on housing
- Recessed light with 58 mm installed diameter

#### Examples of use

- Shelves
- Display cabinets

#### Ordering information

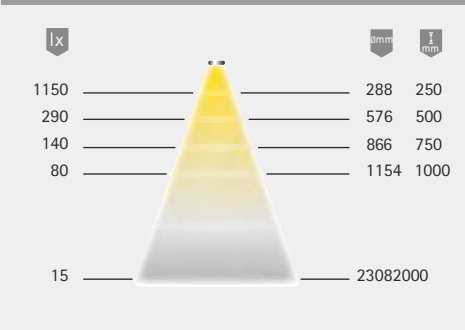
- Individual lights are supplied without cover ring
- To find the right combination of light and ballast, please note pictograms in the light catalogue!
- Sales unit: 1

#### Technical details in brief



Lamp type:	LED recessed light
Type of lighting:	Functional / accent lighting
Surface finish:	Aluminium look / chrome
Operating voltage:	12 V DC
Light colour:	Warm white / neutral white
Colour rendering index CRI:	85
Energy efficiency:	A
	50 lm/W
Life span:	30,000 h (L70)
Power consumption:	4 W
Dimmable:	Yes
Beam angle:	60°
Test marks and symbols:	CE, RoHS, Energy Star, IP 44
Protection rating:	IP 44
Installed diameter:	58 mm
Supply lead:	2000 mm
Plug connection:	LED mini
	M1 plug connection
Connection to:	LED ballast

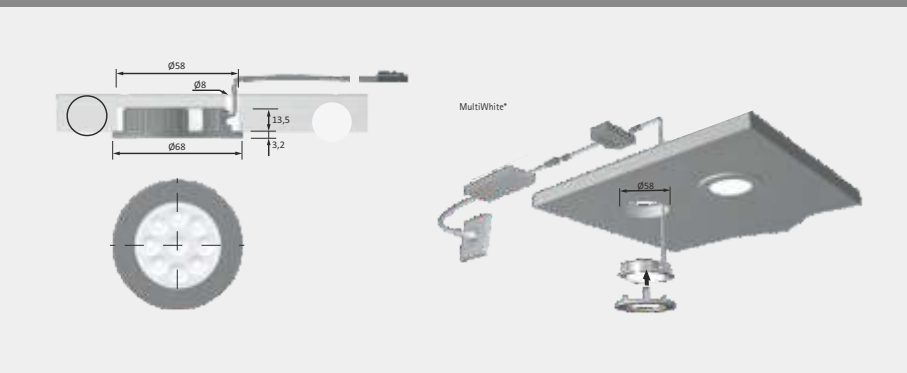
#### Light distribution diagram / 60°



#### Light box



#### Dimensional drawing / installation



Item Description	Order no.	PU
MultiLite Flood, Al look, WW, 12V DC (Light without outer ring)	3 215 011	01
Cover ring - aluminium look	2 517 526	01
Cover ring - chrome, matte	2 517 516	01
Cover ring - stainless steel look	2 517 509	01
Cover ring - gold look	2 517 504	01
Cover ring - bronzed	2 517 502	01

# Magic Lights

## ► Spotlights

### PowerSquare long



#### Advantages

- High-quality aluminium profile light
- Integrated cable channel

#### Features

- Easy to retrofit

#### Examples of use

- Niches

#### Ordering information

- To find the right combination of light and ballast, please note pictograms in the light catalogue!
- Sales unit: 1

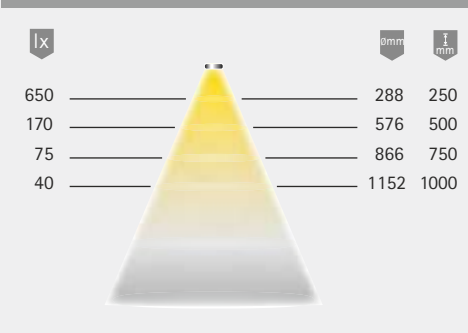
### Technical details in brief



12V

Lamp type:	LED surface-mounted light
Type of lighting:	Functional / accent lighting
Surface finish:	Stainless steel look / aluminium
Operating voltage:	12 V DC
Light colour:	Warm white / neutral white
Colour rendering index CRI:	> 90
Energy efficiency:	A++ 70 lm/W
Life span:	30,000 h (L70)
Power consumption:	1.8 W per module
Dimmable:	Yes
Beam angle:	60°
Test marks and symbols:	CE ◊ ▽ ▽
Protection rating:	IP 20
Supply lead:	1700 mm
Plug connection:	LED mini M1 plug connection
Connection to:	LED ballast

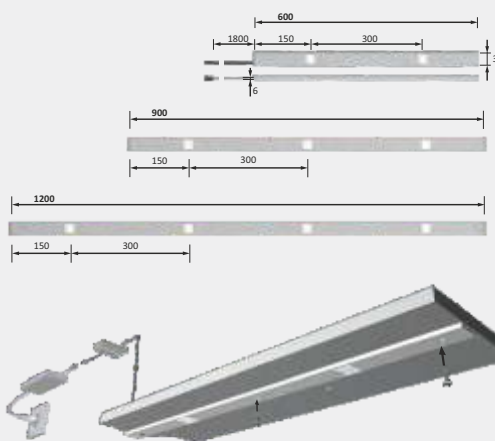
### Light distribution diagram/60° (per light module)



### Light box



### Dimensional drawing / installation



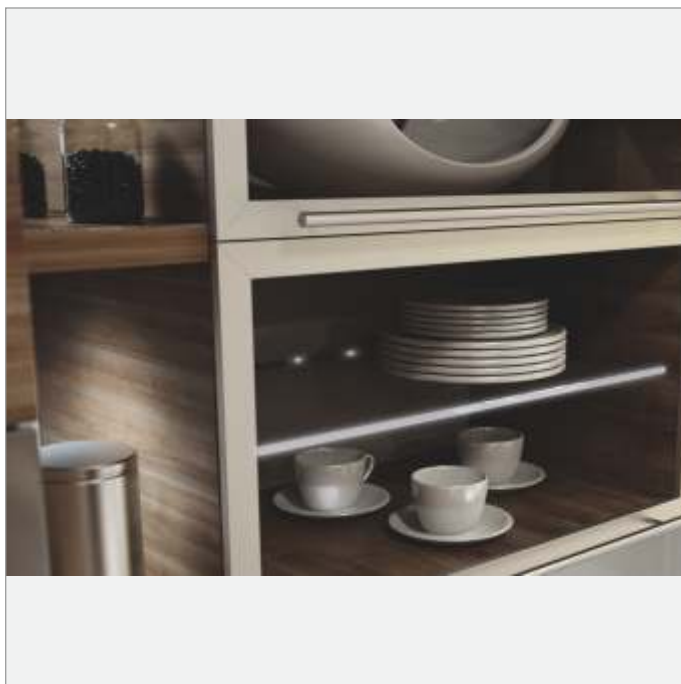
Item Description	Order no.	PU
600 mm,12VDC, Al, Warm White, 3.6W	3 461 717	01
900 mm,12VDC, Al, Warm White, 5.4W	3 461 817	01
1200 mm,12VDC, Al, Warm White, 7.2W	3 461 917	01



# Magic Lights

## ► Special lights

### GlasLine



#### Advantages

- Eye-catching lighting of 8 mm glass edge
- Can be shortened to desired length

#### Features

- High flexibility due to individual components
- LED lighting strip with double-sided cable

#### Examples of use

- 8 mm glass plates
- For optimised effect, install on glass plate with satin-finish edge

#### Ordering information

- To find the right combination of light and ballast, please note pictograms in the light catalogue!
- Sales unit: 1

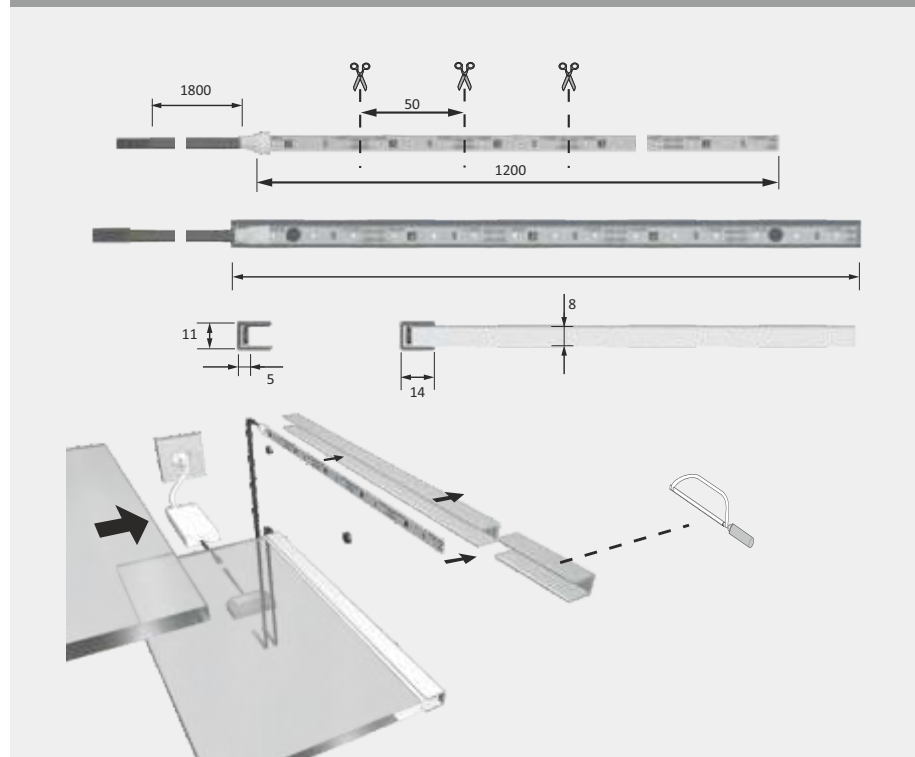
### Technical details in brief



12V

Lamp type:	LED surface-mounted light
Type of lighting:	Accent lighting
Surface finish:	Aluminium look
Operating voltage:	12 V DC
Light colour:	Extra warm white / warm white / neutral white / cool white
Colour rendering index CRI:	> 90
Energy efficiency:	A++
Life span:	90 lm / W
Power consumption:	30,000 h (L70)
Dimmable:	4.8 W / m
Test marks and symbols:	Yes
Protection rating:	CE Ⓢ Ⓢ Ⓢ Ⓢ
Supply lead:	IP 20
Plug connection:	1800 mm
Connection to:	LED mini M1 plug connection LED ballast

### Dimensional drawing / installation



Item Description	Order no.	PU
Versa Inside 60, 1.2 m strip in WW, L=1200mm, 12VDC, 5W	5 580 112	01
U-profile for flexible strip 14 x 11.2 x 3000 mm	1 872 001	01
Spacer for glass plate (1pc / 20 cm)	1 849 110	01
Ice, warm white, 0.9w	3 414 901	01

# Magic Lights

## ► Special lights

### InnoLine Plus



#### Advantages

- Drawer lighting
- No dark zones
- Integrated infrared sensor switch

#### Features

- Can be retrofitted into furniture

#### Examples of use

- In drawers

#### Ordering information

- To find the right combination of light and ballast, please note pictograms in the light catalogue!
- Version that can be cut to size contains cable duct

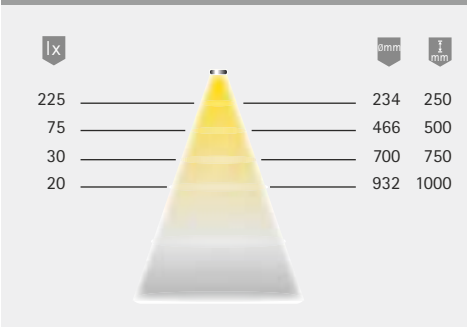
### Technical details in brief



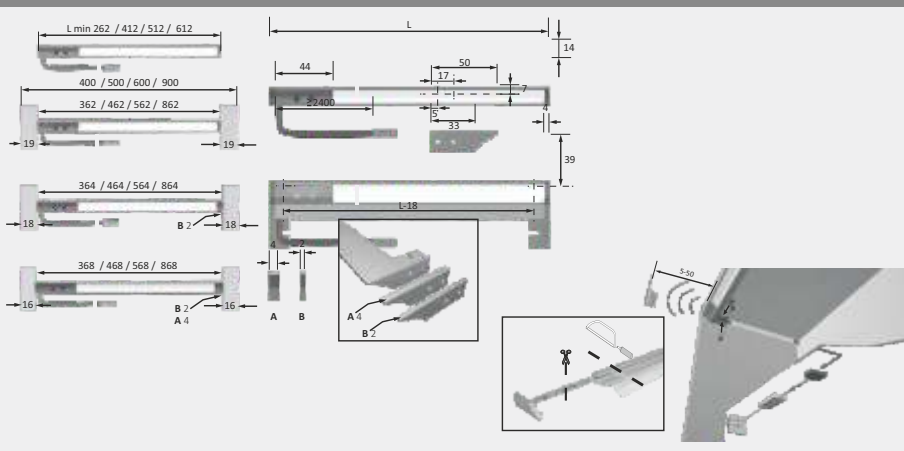
12V

Lamp type:	Wardrobe rail LED light
Type of lighting:	Functional lighting
Surface finish:	Aluminium
Operating voltage:	12 V DC
Light colour:	Neutral white
Colour rendering index CRI:	> 80
Energy efficiency:	A
Life span:	34 lm / W
Power consumption:	30,000 h (L70)
Dimmable:	See ordering chart
Beam angle:	No
Test marks and symbols:	50°
Protection rating:	CE, RoHS, WEEE
Supply lead:	IP 20
Plug connection:	2400 mm
Connection to:	LED mini
Sensor range:	M1 plug connection
	LED ballast
	5 - 50 mm

### Light distribution diagram / 50°



### Dimensional drawing / installation



Item Description	Order no.	PU
LED InnoLine Plus NW 12V DC L=401-500 mm, 2.5 W	5 516 803	01
LED InnoLine Plus NW 12V DC L=501-600 mm, 3 W	5 516 804	01
LED InnoLine Plus NW 12V DC L=801-900 mm, 4.5 W	5 516 807	01
LED InnoLine Plus NW 12V DC L=901-1000 mm, 5 W	5 516 808	01
LED InnoLine Plus NW 12V DC L=1101-1200 mm, 6 W	5 516 810	01

# Magic Lights

## ► Special lights

### LitePipe



#### Advantages

- Activated by motion sensor
- Can be individually cut to length

#### Features

- Load capacity up to 40 kg / m
- Can be retrofitted into furniture

#### Examples of use

- Wardrobes
- Cloakrooms

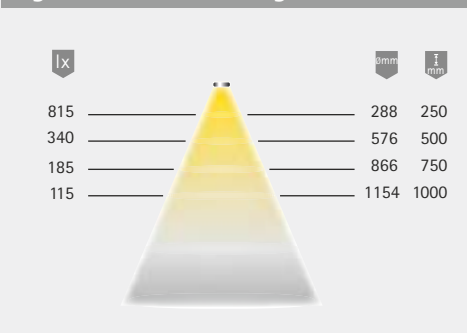
#### Ordering information

- To find the right combination of light and ballast, please note pictograms in the light catalogue!
- Sales unit: 1

### Technical details in brief



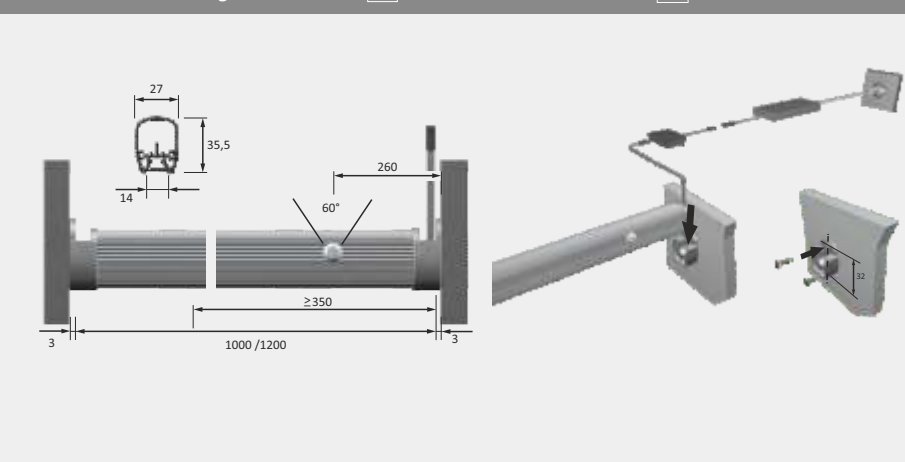
### Light distribution diagram / 60°



Lamp type:	Wardrobe rail LED light
Type of lighting:	Functional lighting
Surface finish:	Aluminium
Operating voltage:	12 V DC
Light colour:	Neutral white
Colour rendering index CRI:	85
Energy efficiency:	A
Life span:	45 lm / W
Power consumption:	30,000 h (L70)
Dimmable:	max. 5.5 W
Beam angle:	No
Test marks and symbols:	60°
Protection rating:	CE ◊ ◊ ◊ ◊
Supply lead:	IP 20
Plug connection:	2000 mm
Connection to:	LED mini
Motion sensor:	M1 plug connection
Detection angle:	LED ballast
Reach:	60°
Stay-'ON' time:	2 m
	40 seconds

### Dimensional drawing / installation

Light can be customized Light can be cut to size



Item Description	Order no.	PU
LED Lite Pipe 12V 1000 mm WW, 5W	9 150 406	01
LED Lite Pipe 12V 1200 mm WW, 5W	9 150 407	01
LED Lite Pipe 12V 1000 mm CW, 5.5W	9 150 408	01
LED Lite Pipe 12V 1200 mm CW, 5.5W	9 150 409	01
LED - Transformer 12VDC 6W HIN	9 162 787	01

# Magic Lights

## ► Special lights

### LuckyLite Pro



#### Advantages

- Operated by battery, rechargeable via micro USB
- No need for cables

#### Features

- Tool-free installation
- Can be retrofitted into furniture
- Integrated motion sensor

#### Examples of use

- Shelves
- Furniture compartments
- Behind furniture doors

#### Ordering information

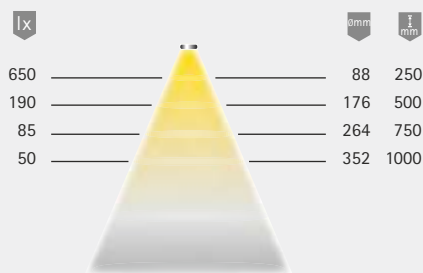
- Including 0.8m USB charger cable
- USB chargers must be ordered separately
- Sales unit: 1

### Technical details in brief



Lamp type:	LED surface-mounted light
Type of lighting:	Accent lighting
Surface finish:	Aluminium look
Light colour:	Neutral white
Colour rendering index CRI:	80
Life span:	20,000 h (L70)
Dimmable:	No
Beam angle:	20°
Test marks and symbols:	CE
Protection rating:	IP 20
Charger connection:	Micro USB
Motion sensor:	
Sensing angle:	120°
Sensing range:	2 m
Stay-'ON' time:	10 seconds

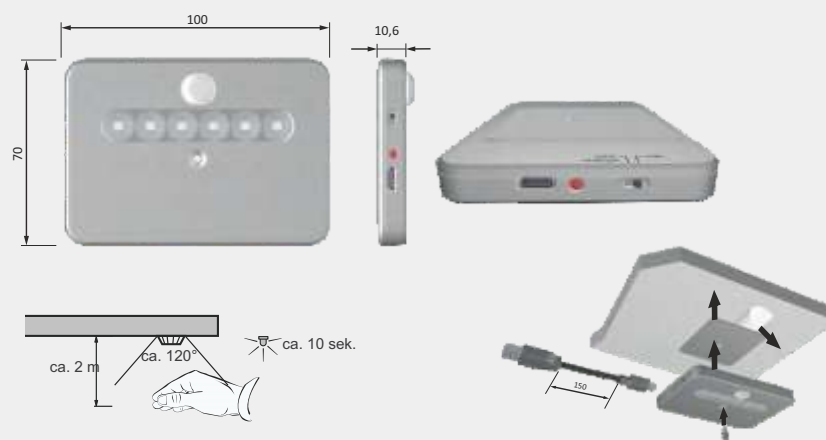
### Light distribution diagram / 20°



### Light box



### Dimensional drawing / installation Light can be customized



Item Description	Order no.	PU
LuckyLite Pro Aluminum look with motion sensor	3 825 826	01
Mini USB charger	3 002 601	01

# Magic Lights

## ► Switch systems

### MultiSwitch contact



#### Advantages

- Infrared sensor for drill-hole or surface mounting
- Connection of 1 to 3 identical sensors to 1 master unit

#### Features

- Soft ON/OFF function (soft-start when power on/off) – for 12 / 24 V only
- Memory function for power failure
- Not compatible with dimmers

#### Examples of use

- Door contact switch
- Touchless sensor switch (surface-mounted infrared sensor)



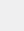
#### Ordering information

- For other sensors, see pages below
- Only for use with dimmable LED lamps
- Sales unit: 1

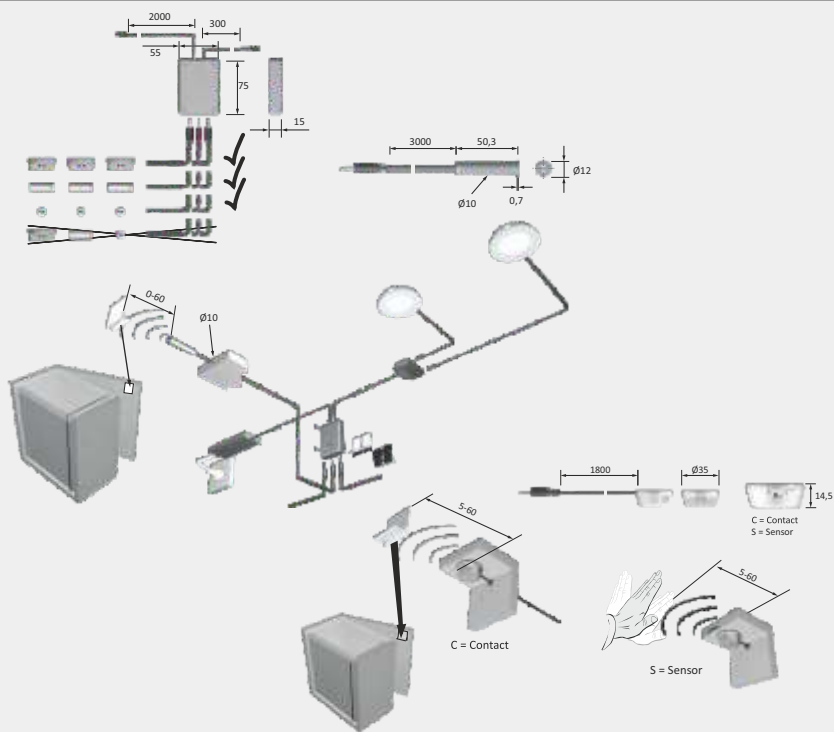
### Technical details in brief



**HV** **12 V** **24 V**  
**MP**

Can be used with: LED lights  
 Surface finish: Aluminium look  
 Operating voltage: 12 / 24 V DC  
 230 V AC  
 Max. switching power: 36 W / 72 W / 500 W  
 Test marks and symbols:     
 Switching distance: see drawing  
 Supply lead: 2000 mm cable to master unit  
 Switching lead: 300 mm to LED light  
 Standby: < 0.5 W

### Dimensional drawing / installation



### IR Sensor (Surface mounting)

Item Description	Order no.	PU
Master unit 12 V DC	3 076 401	01
IR-Sensor for surface mounting	3 064 201	01

### IR Sensor (Drill Hole mounting)

Item Description	Order no.	PU
Master unit 12 V DC	3 076 401	01
IR-Sensor for Drill hole mounting	3 076 751	01

### Extension wire for Sensor

Item Description	Order no.	PU
Extension lead sensor cable - 2.5 mm jack - 2000 mm	1 823 803	01

# Magic Lights

## ► Switch systems

### MultiSwitch PIR



#### Advantages

- Motion sensor for surface mounting
- Responses to heat and motion
- Connection of 1 to 3 identical sensors to 1 master unit

#### Features

- Soft ON/OFF function (soft-start when power on/off) - for 12 / 24 V only
- Memory function for power failure
- Not compatible with dimmers

#### Examples of use

- As motion sensor (PIR sensor)


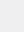

#### Ordering information

- For other sensors, see pages below
- Only for use with dimmable LED lamps
- Sales unit: 1

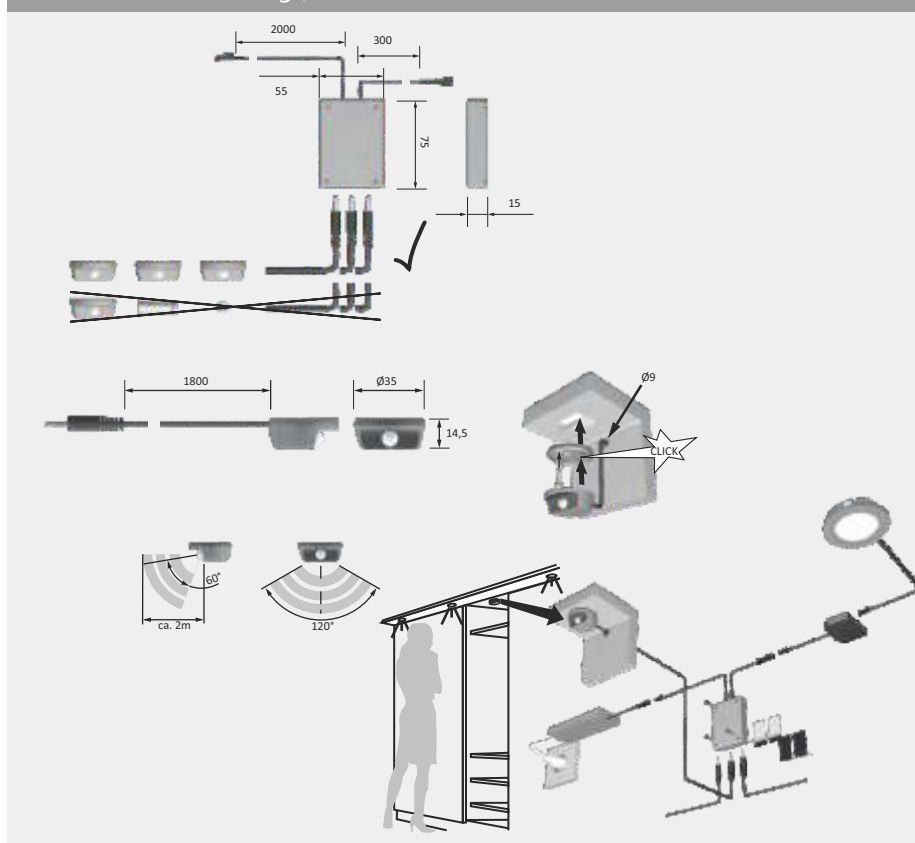
### Technical details in brief



**HV** **12 V** **24 V MP**

Can be used with: LED lights  
 Surface finish: Aluminium look  
 Operating voltage: 12 / 24 V DC  
 230 V AC  
 Max. switching power: 36 W / 72 W / 500 W  
 Test marks and symbols:     
 Motion detector:  
 Sensing angle: 120°  
 Range: 2 m  
 Stay-'ON' time: 30 seconds  
 Sensor lead: 1800 mm  
 Supply lead: 2000 mm cable to master unit  
 Switching lead: 300 mm  
 Standby: < 0.5 W

### Dimensional drawing / installation



### Motion Sensor

Item Description	Order no.	PU
Master unit 12 V DC	3 076 401	01
IR Sensor for Drill hole mounting	3 063 801	01

### Extension wire for Sensor

Item Description	Order no.	PU
Extension lead sensor cable - 2.5 mm jack - 2000 mm	1 823 803	01



# Magic Lights

## ► Switch systems

### MultiSwitch push button



#### Advantages

- Push button with dimming function for drill-hole mounting
- Connection of 1 to 3 identical sensors to 1 master unit

#### Features

- Soft ON/OFF function (soft-start when power on/off) for 12/24 V only
- Memory function for power failure
- Not compatible with dimmers

#### Examples of use

- As push button with dimming function
- As on/off switch and changeover switch

#### Ordering information

- For other sensors, see pages below
- Only for use with dimmable LED lamps
- Sales unit: 1

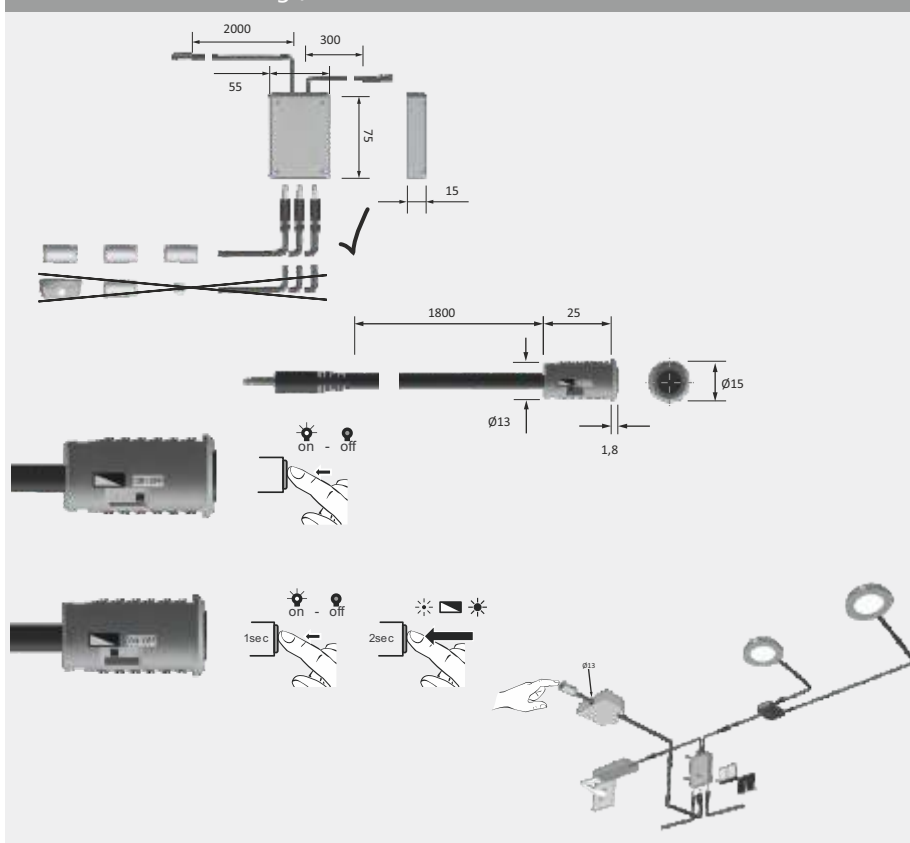
### Technical details in brief



**HV** **12V** **24V**  
**MP**

Can be used with: LED lights  
 Surface finish: Aluminium look  
 Operating voltage: 12 / 24 V DC  
 230 V AC  
 Max. switching power: 36 W / 72 W / 500 W  
 Test marks and symbols:      
 Sensor lead: 1800 mm  
 Supply lead: 2000 mm cable to master unit  
 Switching lead: 300 mm  
 Standby: < 0.5 W

### Dimensional drawing / installation



### MultiSwitch Push button

Item Description	Order no.	PU
Master unit 12 V DC	3 076 401	01
Push button with dimming function	3 064 801	01

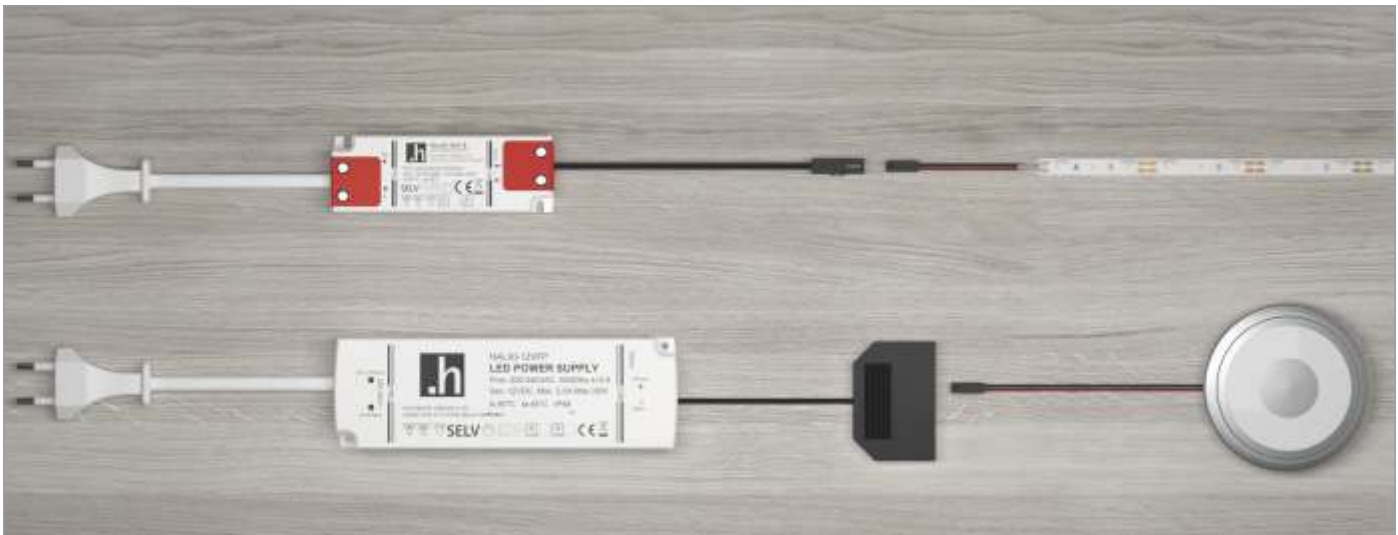
### Extension wire for Sensor

Item Description	Order no.	PU
Extension lead sensor cable - 2.5 mm jack - 2000 mm	1 823 803	01

# Magic Lights

## ► Switch systems

### Ballast



#### Features

- Short-circuit-proof
- Overload-protected
- Temperature-protected

#### Examples of use

- For 12 V DC furniture lights

#### Ordering information

- The ballast power must be equal to or greater than the total power of the connected consumers

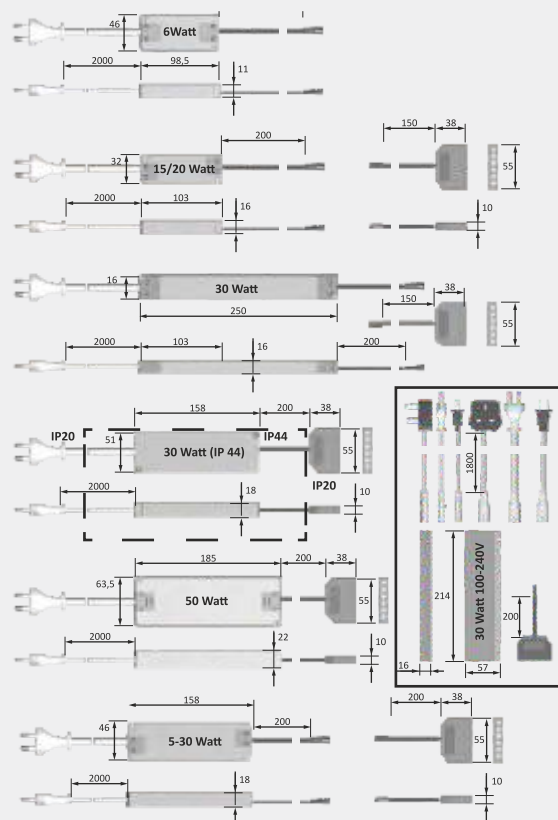
### Technical details in brief



For use with: LED lights  
 Surface finish: white  
 Operating voltage: 100 V AC  
 240 V AC  
 Mains frequency: 50 Hz / 60 Hz  
 Output voltage: 12 V DC  
 Test marks and symbols:

Plug connection  
 Primary: 2000 mm with flat Euro plug  
 Plug connection: LED mini  
 M1 plug connection

### Dimensional drawing / installation



Item Description	Order no.	PU
LED - Ballast 12V DC 6W with flat euro plug	3 022 602	01
LED ballast 12V DC 20 W with flat Euro plug and 6- way distributor	3 101 601	01
LED ballast 12V DC 30 W with flat Euro plug and 6- way distributor	3 100 207	01
LED ballast 12V DC 50 W with flat Euro plug and 6- way distributor	3 099 801	01

## Magic Lights

### ► Accessories

#### LED 3 way Distributer



► LED 3way Distributer M1, 12V DC

Article	Order no.	PU
LED 3way Distributer M1, 12V DC	3 685 201	01

#### LED 6 way Distributer



► LED 6 way Distributer M1 2m, 12V DC

Article	Order no.	PU
LED 6 way Distributer M1 2m, 12V DC	3 612 501	01

#### LED Extension



► LED Extension M1, 12 V DC

Article	Order no.	PU
LED Extension M1, 12 V DC	3 676 801	01

#### Cable Duct



##### Advantages

► Neat and safe installation of LED leads

##### Features

► Made of plastic

► Can be individually cut to length

##### Examples of use

► Cable fixture on furniture

##### Ordering information

► Sales unit: 1

Article	Order no.	PU
Mini cable duct, cover, white 7.2 x 12 mm, L= 1000 mm	3 623 801	01

# Automatic drilling and insertion machines BlueMax

## BlueMax Mini

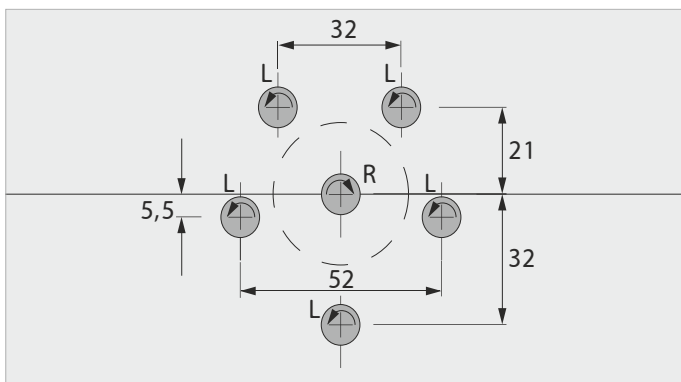
► Type 2 / 6

### BlueMax Mini type 2 / 6



- Compact power drill with hand lever
- Drilling unit with 6 drilling spindles
- Fence with work bench
- 1 set of drill bits (1 x  $\varnothing$  35 mm right, 2 x  $\varnothing$  10 mm left)
- 2 pendulum stops

### Drilling pattern



### BlueMax Mini machine parts

Description	Unit	Order no.	PU
BlueMax Mini T2/6 230V 50 HZ 1 PH	Pc	0 020 264	1
Fence extension with scale	Set	0 020 485	1
Holder for fence extension	Set	0 020 486	1
Set for fixed stop	Set	0 020 487	1
Pendulum stop for fence	Set	0 020 488	2
Set of drill bits for hinges	Set	0 020 490	1
Set of drill bits for VB 18/19/20/21	Set	0 020 492	1
Drill bit D.5 mm left hand	Pc	0 020 498	2
Drill bit D.2 mm left hand	Pc	0 020 499	2

## Office furniture systems

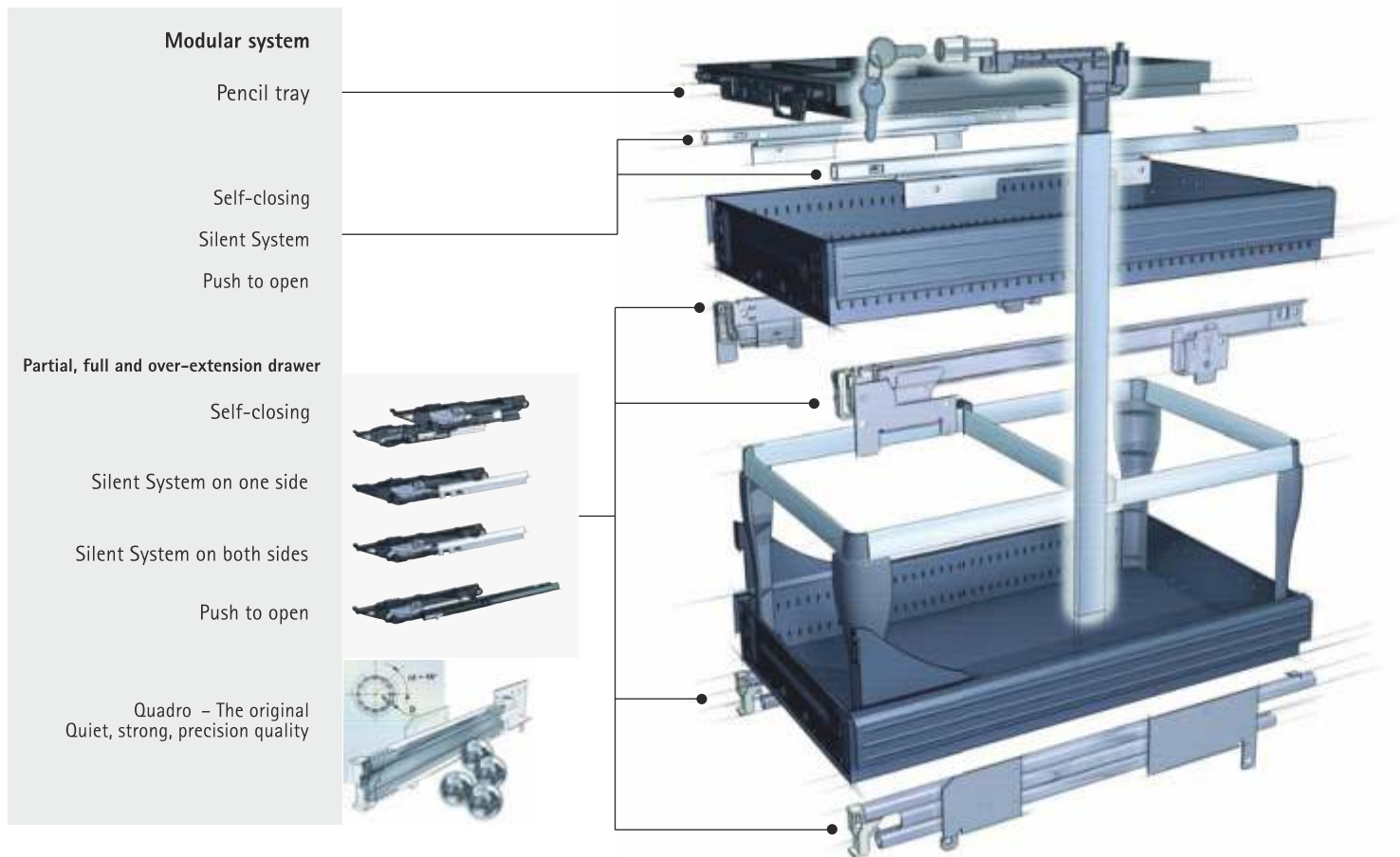


Systema Top 2000 is the benchmark for professional organisation systems. Everything comes from a single source, with perfectly matched system components and a comprehensive platform concept: these are the factors ensuring success. Planners, manufacturers and users profit from a system that has proved its value \ millions of times. With such innovations as Silent System soft closure or Push to open, System Top 2000 can be adapted in a jiffy to different price and quality standards.



# Everything from a one-stop shop

## ► Systema Top 2000



### Organisation



**Pencil tray**  
 ► better ergonomics  
 ► more storage space from greater depth



**OrgaWelle**  
 ► versatile and adaptable



**OrgaTank**  
 ► folding box for personal belongings



**Hanging file frames**  
 ► improved stability



**DesignSide**  
 ► Adding to design, practical convenience & individuality

### Systema Top 2000–Quality, environment & design



### Systema Top 2000 – All the benefits at a glance.

- The market's leading system for organising office furniture
- All from a one-stop shop – drawers, runners and locking systems.
- Wide range of products for immense design flexibility
- Eco-friendly steel drawers with integrated OrgaLine and fully concealed runners
- Quadro – the unsurpassed ball-bearing drawer runners for smooth action, strength and stability
- Stop Control locking system offering the benefits of central locking, anti-tilt blocking function and self-closure
- More convenience and less noise from Silent System soft closure
- Push to open function for convenient and handleless drawer opening
- Tailored organisation for paper, desk utensils, personal belongings and a whole lot more



# Systema Top 2000 desk pedestal, fast assembly set

- ▶ Installed width 404 mm/ Hole line 32 mm
- ▶ Fast assembly pedestal set

## Fast assembly pedestal set

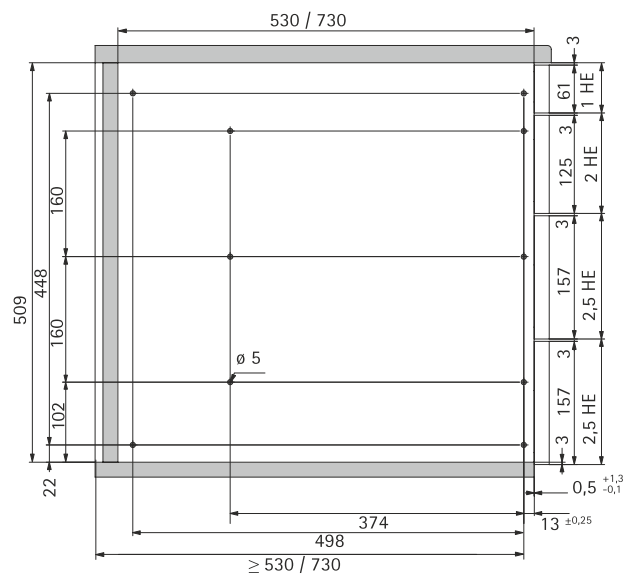
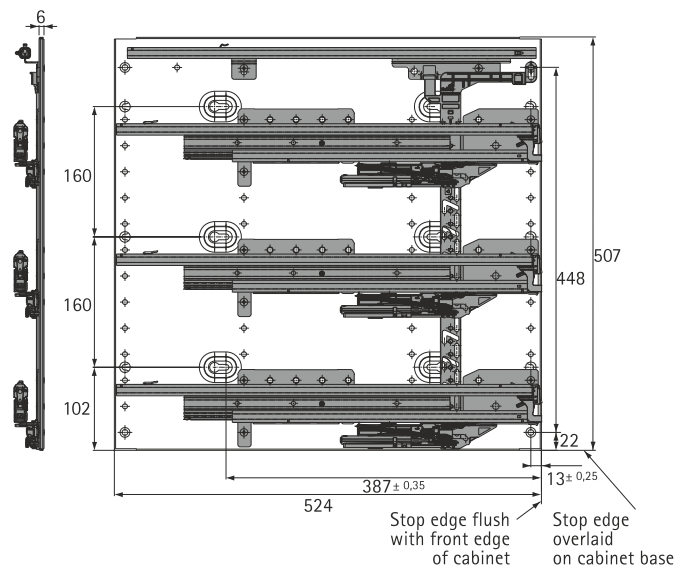


### Set comprises:

- ▶ 1 set of adjustable steel side panels, powder-coated black
- ▶ 1 locking bar Stop Control and head piece, pre-mounted
- ▶ 1 pair Quadro 12 partial extension drawer runners, with Silent System, pre-mounted
- ▶ 3 pairs of Quadro Duplex 25 full extension drawer runners, with Silent System, pre-mounted
- ▶ 1 pencil tray
- ▶ 3 steel drawers
- ▶ 1 cylinder cam lock complete with barrel

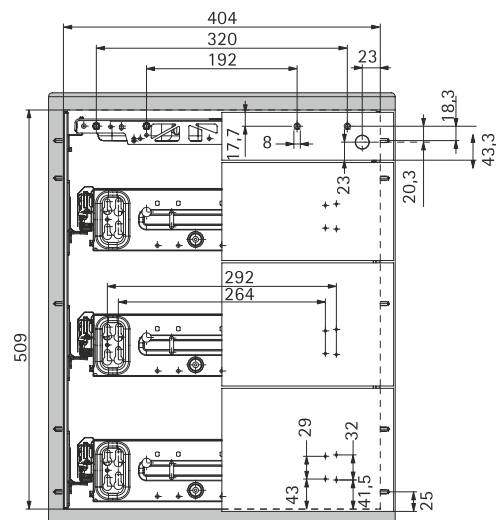
Min. installed depth mm	Order no. / Finish		PU
	Aluminium look	Black	
530	9 081 712	9 078 571	1 set
730	9 081 713	9 078 573	1 set

## Planning dimensions



### Height division

- 1 HE Pencil tray  
Drawer runner Quadro 12
- 2 HE Steel drawer  
Quadro Duplex 25 full extension drawer runner
- 2.5 HE Steel drawer  
Quadro Duplex 25 full extension drawer runner
- 2.5 HE Steel drawer  
Quadro Duplex 25 full extension drawer runner
- 7 HE + 1 = Stop Control locking bar





## Office furniture systems

► Big Orga @Tower



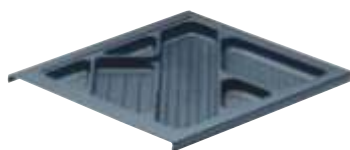
# Elements for fitting to Big Orga@Tower

## System components

### Pencil tray, height 25 mm

- ▶ For concealed installation of drawer runners
- ▶ Black plastic

Order front panel connector separately



Order no.	PU
1 079 061	25

### Pencil tray, height 40 mm

- ▶ With optimised storage space
- ▶ For concealed installation of drawer runners
- ▶ Black plastic

Order front panel connector separately



Order no.	PU
9 086 348	15

### Front panel connector

- ▶ For pencil tray, installation width 380 / 392 mm
- ▶ Black plastic



Order no.	PU
1 041 577	100

### Extension slide Quadro 12

- ▶ For pencil tray
- ▶ For installation depth 530 / 730 mm
- ▶ Partial-extension runner with self-closing feature
- ▶ Load capacity (static) 12 kg
- ▶ Galvanized steel



For installation width mm	Order no. for hole line 25 mm		PU
	left	right	
380	1 048 061	1 048 062	50
392	1 048 066	1 048 067	50

For installation width mm	Order no. for hole line 32 mm		PU
	left	right	
380	1 054 580	1 054 581	50
392	1 054 595	1 054 596	50

### Quadro 12 runner for use with Silent System soft-closing feature

- ▶ For pencil trays with installation widths of 380 / 392 mm
- ▶ Part-extension
- ▶ With drawer front quick fixing
- ▶ Load capacity (static) 12 kg
- ▶ Max. front panel height 64 mm
- ▶ Galvanized steel



For installation width mm	Order no. for hole line 25 mm		PU
	left	right	
380	9 110 570	9 110 571	50
392	9 110 015	9 110 016	50

For installation width mm	Order no. for hole line 32 mm		PU
	left	right	
380	9 112 996	9 112 995	50
392	9 111 681	9 111 682	50

### Silent System housing for Quadro 12

Order no.	PU
9 113 007	150



# Elements for fitting to Big Orga@Tower

## System components

### Steel drawer

- ▶ Toolless slide-on mounting
- ▶ Lock activators for Stop Control housing must be ordered separately
- ▶ Powder-coated steel black (RAL 9011)



Min. installation depth mm	Exterior dimension mm	Interior dimension mm	Order no.	PU
530	370 x 514	327 x 490	1 059 415	86
730	370 x 714	327 x 690	1 059 416	72

### Quadro Duplex 45

- ▶ Over-extension (approx. 45 mm), with differential roller
- ▶ Load capacity 45 kg
- ▶ Max. front panel height 320 mm
- ▶ Galvanized steel



For installation width mm	Min. installation depth mm	Order no. for hole line 25 mm			Order no. for hole line 32 mm		PU
		left	right		left	right	
380	530	9 026 348	9 026 352	16	1 059 158	1 059 159	16
380	730	9 026 356	9 026 358	17	1 059 161	1 059 162	16
392	530	1 045 315	1 045 316	14	1 059 164	1 059 165	14
392	730	1 045 363	1 045 365	14	1 059 167	1 059 168	14

### lock activator

- ▶ Black plastic



### Front-panel reinforcement

- ▶ For stabilising the front panel
- ▶ Black steel



For installation width mm	Order no.		PU
	left	right	
380	9 103 989	1 074 838	1000
392	9 103 992	1 074 837	1000

Order no.	PU
1 065 228	120

### Self-closing housing Stop Control, left / right with integrated

- ▶ Silent System soft closure
- ▶ For soft-closing Systema Top steel drawers on both sides



### File cradle

- ▶ With divider
- ▶ Nickel-plated steel / black plastic



For installation width mm	Order no.		PU
	left	right	
380	9 105 196	9 058 369	80
392	9 105 197	9 058 415	80

Installation depth mm	Order no.	PU
530	9 039 924	1 set
730	9 039 921	1 set

# Elements for fitting to Big Orga@Tower

## System components

### Caster with plain bearing

- ▶ Diameter 50 mm
- ▶ Load capacity 50 kg
- ▶ Construction height 51 mm
- ▶ Suitable for: stone, parquet, carpet, PVC /linoleum
- ▶ Housing: sheet steel zinc-plated
- ▶ Wheel: polypropylene
- ▶ Tread: thermoplastic rubber, grey



Order no.	PU
0 002 814	1

### Adapter plate for caster

- ▶ Galvanized steel



Order no.	PU
9 111 148	1

### Folder stand and screen

- ▶ For access from both sides
- ▶ Powder-coated steel black



Min. installation depth mm	Order no.	PU
530	9 105 178	1 set
730	9 105 181	1 set

### Folder stand and screen

- ▶ For access from one side
- ▶ Powder-coated steel black



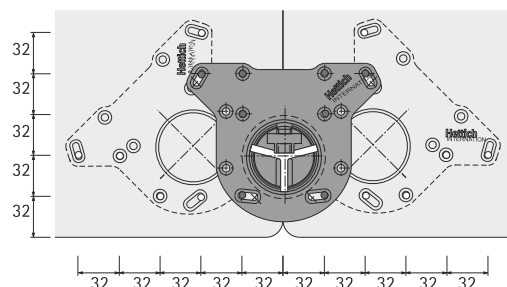
Min. installation depth mm	Order no.	PU
730	9 105 182	1 set

## System 32 table leg: Efua



- ▶ Length 710 mm
  - ▶ Height adjustment + 30 mm, infinitely adjustable up to a length of 740 mm
  - ▶ Loading capacity 150 kg per table leg
  - ▶ Steel
- Set comprises:
- ▶ 4 table legs
  - ▶ Fixing material

Finish	Order no. / Dia. mm (60)	PU
High-gloss chrome-plated	0 070 134	1 set
Stainless-steel look	0 070 135	1 set





## Lifting column system LegaDrive



### Simply ergonomic

LegaDrive system takes the desk top to the chosen height simply at the push of a button. With infinite variability. Quickly and easily allowing the user to find the ideal working position at the desk – whether sitting or standing. Impressive: the powerful yet pleasantly quiet lifting movement and huge lifting range. The column's design blends harmoniously into modern work environments and comes in three surface finishes.

As LegaDrive needs no cross member, a mobile pedestal easily fits under the desk. LegaDrive's large lifting range also impresses in conjunction with high-rise pedestals: storage space remains easily accessible even in the standing work position.

## LegaDrive Systems desk support

- ▶ Power assisted height adjustment, lift 675 mm
- ▶ Desk support sets

### Basic desk support set



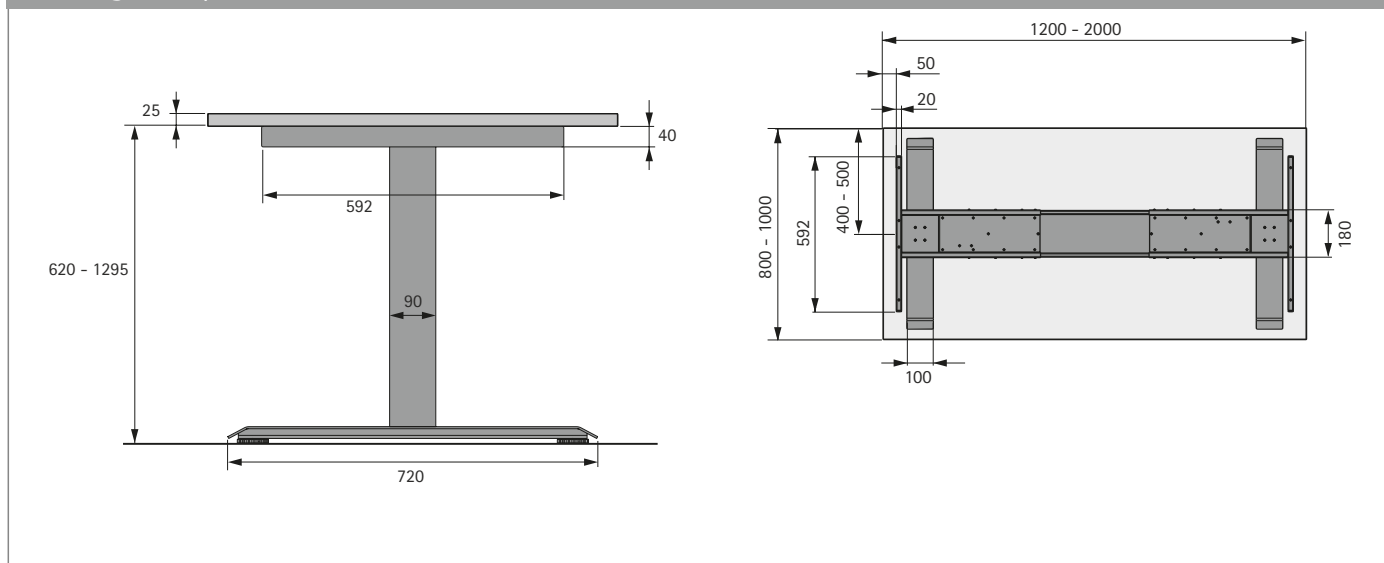
- ▶ For variable desk top sizes:
  - depth 800 - 1000 mm
  - width 1200 - 2000 mm
- ▶ Desk top support frames adjustable in width in increments of 50 mm
- ▶ Power assisted height adjustment from 620 - 1295 mm
- ▶ Lifting range 675 mm
- ▶ Max. lifting capacity 120 kg with even desk loading (lifting capacity = load capacity + desk top with desk top support)
- ▶ Height adjustment with soft start
- ▶ Nominal voltage 230 V / 50 Hz
- ▶ Low energy consumption (standby 0.3 W max.)
- ▶ Speed 40 mm/s
- ▶ With collision detection (no personal protection)

#### Set comprises:

- ▶ 2 LegaDrive power assisted telescoping lifting columns
- ▶ 2 foot extensions, 720 mm
- ▶ 1 set of width adjustable desk top support frames
- ▶ 1 electronic control unit
- ▶ 1 mains power connection cable, EU, length 3 m
- ▶ 1 Basic handset
- ▶ Installation material and installation instructions

Type	Order no.	PU
Support frame components anthracite, powder coated; lifting columns silver anodized	9 193 251	1 set
Support frame components, white, powder coated; lifting columns white, powder coated	9 193 253	1 set

### Planning example



## LegadDrive Systems desk support

- ▶ Power assisted height adjustment, lift 675 mm
- ▶ Desk support sets

### Desk support set 90° angle



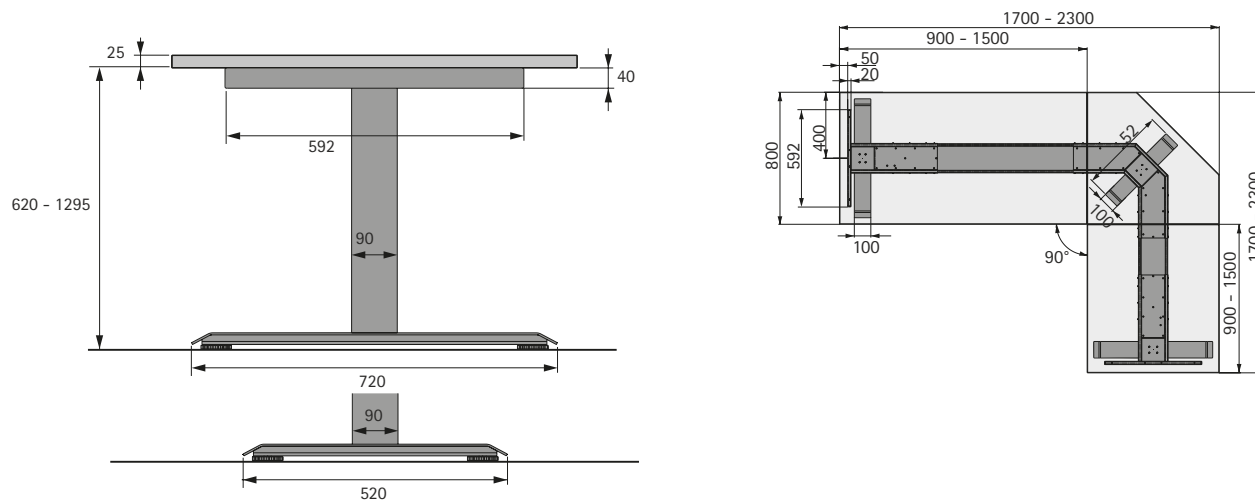
- ▶ For variable desk top sizes
- ▶ Desk top support frames adjustable in width in increments of 50 mm
- ▶ Power assisted height adjustment from 620 - 1295 mm
- ▶ Lifting range 675 mm
- ▶ Max. lifting capacity 120 kg with desk evenly loaded (lifting capacity = load capacity + desk top with desk top support)
- ▶ Height adjustment with soft start
- ▶ Nominal voltage 230 V / 50 Hz
- ▶ Low energy consumption (standby 0.3 W max.)
- ▶ Speed 40 mm/s
- ▶ With collision detection (no personal protection)

#### Set comprises:

- ▶ 3 LegadDrive power assisted telescoping lifting columns
- ▶ 2 foot extensions, 720 mm
- ▶ 1 foot extension, 520 mm
- ▶ 1 set of width adjustable desk top support frames, 90° angle
- ▶ 1 electronic control unit
- ▶ 1 mains power connection cable, EU, length 3 m
- ▶ 1 motor extension cable
- ▶ 1 Basic handset
- ▶ Installation material and installation instructions

Type	Order no.	PU
Support frame components anthracite, powder coated; lifting columns silver anodized	9 193 255	1 set
Support frame components, white, powder coated; lifting columns white, powder coated	9 193 256	1 set

### Planning example



## LegaDrive Systems desk support

- ▶ Power assisted height adjustment, lift 675 mm
- ▶ Desk support sets

### Desk support set 135° angle



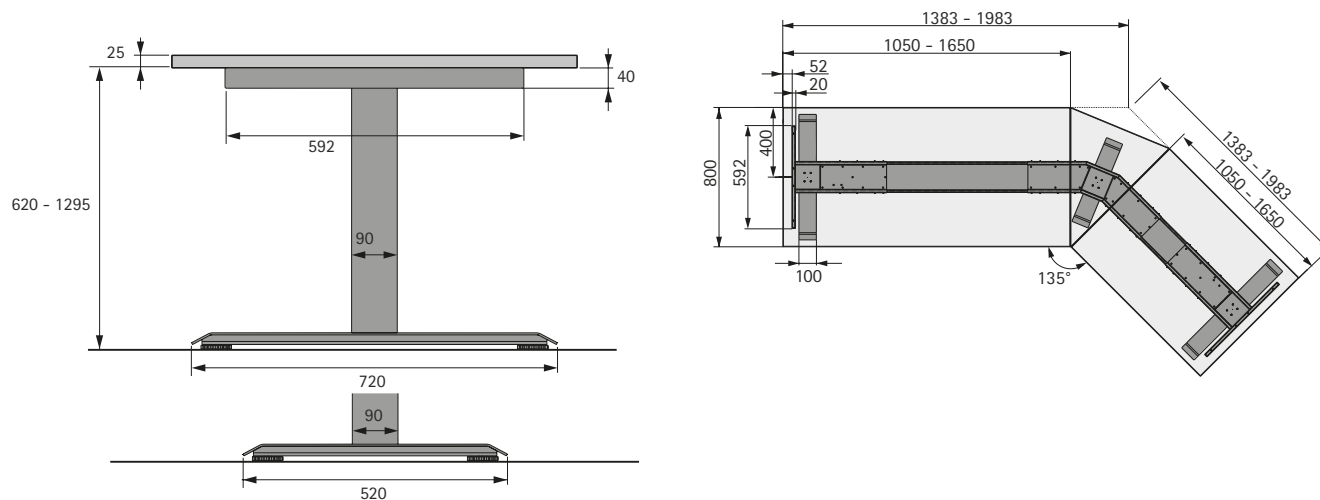
- ▶ For variable desk top sizes
- ▶ Desk top support frames adjustable in width in increments of 50 mm
- ▶ Power assisted height adjustment from 620 - 1295 mm
- ▶ Lifting range 675 mm
- ▶ Max. lifting capacity 120 kg with desk evenly loaded (lifting capacity = load capacity + desk top with desk top support)
- ▶ Height adjustment with soft start
- ▶ Nominal voltage 230 V / 50 Hz
- ▶ Low energy consumption (standby 0.3 W max.)
- ▶ Speed 40 mm/s
- ▶ With collision detection (no personal protection)

#### Set comprises:

- ▶ 3 LegaDrive power assisted telescoping lifting columns
- ▶ 2 foot extensions, 720 mm
- ▶ 1 foot extension, 520 mm
- ▶ 1 set of width adjustable desk top support frames, 135° angle
- ▶ 1 electronic control unit
- ▶ 1 mains power connection cable, EU, length 3 m
- ▶ 1 motor extension cable
- ▶ 1 Basic handset
- ▶ Installation material and installation instructions

Type	Order no.	PU
Support frame components anthracite, powder coated; lifting columns silver anodized	9 193 257	1 set
Support frame components, white, powder coated; lifting columns, white, powder coated	9 193 258	1 set

### Planning example



## Legadrive Systems desk support

- ▶ Power assisted height adjustment, lift 675 mm
- ▶ Frame modules

### Basic frame module



- ▶ For variable desk top sizes:
  - depth 800 - 1000 mm
  - width 1200 - 2000 mm
- ▶ Width adjustable in increments of 50 mm
- ▶ Please order lifting columns and electronic components separately

Set comprises:

- ▶ 2 Basic desk top support frames
- ▶ 2 connector profiles
- ▶ 2 foot extensions, 720 mm
- ▶ Installation material

Type	Order no.	PU
white, powder coated	9 186 404	1 set
anthracite, powder coated	9 186 405	1 set

### Frame module 90° angled



- ▶ For variable desk top sizes
- ▶ Width adjustable in increments of 50 mm
- ▶ Please order lifting columns and electronic components separately

Set comprises:

- ▶ 1 desk top corner frame, 90° angled
- ▶ 2 connector profiles
- ▶ 1 foot extension, 520 mm
- ▶ 1 motor extension cable
- ▶ Installation material

Type	Order no.	PU
white, powder coated	9 186 406	1 set
anthracite, powder coated	9 186 407	1 set

### Frame module 135° angled



- ▶ For variable desk top sizes
- ▶ Width adjustable in increments of 50 mm
- ▶ Please order lifting columns and electronic components separately

Set comprises:

- ▶ 1 desk top corner frame, 135° angled
- ▶ 2 connector profiles
- ▶ 1 foot extension, 520 mm
- ▶ 1 motor extension cable
- ▶ Installation material

Type	Order no.	PU
white, powder coated	9 186 408	1 set
anthracite, powder coated	9 186 409	1 set

## LegaDrive Systems desk support

- ▶ Power assisted height adjustment, lift 675 mm
- ▶ Components

### LegaDrive lifting column



- ▶ Power assisted lifting column, square cross section 90 x 90 mm
- ▶ Power assisted height adjustment from 575 to 1250 mm
- ▶ Lifting range 675 mm
- ▶ Dynamic lifting capacity 80 kg for one lifting column
- ▶ Dynamic lifting capacity integrated in the desk with 2-3 lifting columns: 120 kg when evenly loaded (+40 kg for each further lifting column)

Type	Order no.	PU
aluminium, silver anodized	9 186 412	1 ea.
white, powder coated	9 186 413	1 ea.

### Electronic module



- ▶ Electronic module for use in conjunction with desk systems involving more than 3 lifting columns
- ▶ Height adjustment with soft start
- ▶ Nominal voltage 230 V / 50 Hz
- ▶ Low energy consumption (standby 0.3 W max.)
- ▶ Speed 40 mm/s
- ▶ With collision detection (no personal protection)

Set comprises:

- ▶ 1 Compact-e-3 electronic control unit for up to 3 lifting columns
- ▶ 1 mains power connection cable, EU, length 3 m
- ▶ 1 Basic handset
- ▶ Installation material

Order no.	PU
9 190 608	1 set

### Electronic extension module



- ▶ Electronics extension module for use in conjunction with desk systems involving more than 3 lifting columns

Set comprises:

- ▶ 1 Compact-e-3 electronic control unit for up to 3 lifting columns
- ▶ 1 mains power connection cable, EU, length 3 m
- ▶ Installation material

Order no.	PU
9 190 609	1 set

### Cascading cable



- ▶ Cascading cable for connecting LegaDrive control units
- ▶ 1 cascading cable required per control unit
- ▶ Length 1500 mm

Order no.	PU
9 188 864	1/25 ea.

### Cascading cable, short



- ▶ Short cascading cable for connecting LegaDrive control units
- ▶ 1 cascading cable connects 2 control units
- ▶ Length 500 mm

Order no.	PU
9 203 988	1/25 ea.

### Motor extension cable



- ▶ Extension cable for connecting lifting column to control unit
- ▶ Length 1200 mm

Order no.	PU
9 180 608	1/25 ea.



## Legadrive Systems desk support

- ▶ Power assisted height adjustment, lift 675 mm
- ▶ Components

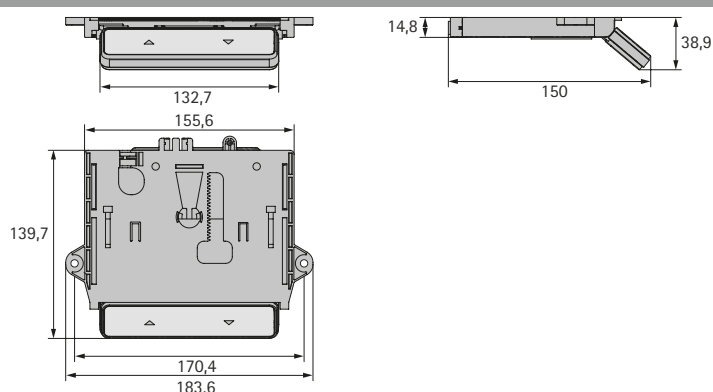
### Touch Comfort handset



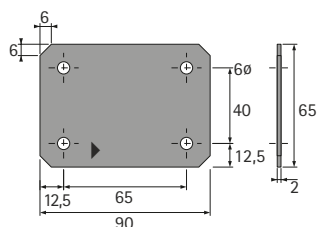
- ▶ With high quality Touch finish
- ▶ Up and down key buttons
- ▶ Digital display of desk height (cm or inch)
- ▶ 4 memory functions
- ▶ For installation under desk top
- ▶ With Push to open function. Control panel can be pushed under the desk top where it is hidden from view
- ▶ Plastic, black

Order no.	PU
9 155 202	1/25 ea.

### Installation dimensions



### Connecting plate for angled solutions



Powder coated steel,  
aluminium look

Order no.	PU
0 048 443	1/2 ea.

### Power cable



- ▶ Mains power connection cable, length approx. 3 m

#### Advice:

- ▶ \* Suitable for use in Germany, Austria, Belgium, Netherlands, Luxembourg, Spain, France, Sweden, Norway, Finland. Other countries on request.

Type	Order no.	PU
Type F, "Schuko" safety plug*	9 147 928	1/50 ea.
Type G, United Kingdom	9 147 929	1/25 ea.
Type J, Switzerland	9 147 930	1/25 ea.
Type L, Italy	9 147 981	1/25 ea.
Type K, Denmark	9 147 982	1/25 ea.

**Registered & Head Office:**  
**Hettich India Private Limited**  
302, Duro-lite House,  
Opp. SAB TV, New Link Road,  
Andheri (West), Mumbai - 400 053  
Phone: +91 22 2674 3289/3356/4089  
Fax: +91 22 2674 3267

**Delhi Office:**  
**Hettich India Private Limited**  
A-26/4, 1st floor,  
Mohan Co-operative Industrial Estate,  
New Delhi - 110 044  
Phone: +91 11 4889 4000, 4889 4005  
Fax: +91 11 4889 4044

**Vadodara Factory:**  
Plot No. 304, Dhanora,  
Nandesari Road,  
Near ECPL,  
Village - Dhanora - 391 346  
Dist. - Vadodara  
Tel: +91 26 5656 9003

10\_2019

## Application Centres:

**New Delhi:**  
61, Panchkuian Road,  
New Delhi - 110 001  
Ph. No. : +91 11 2358 0713,  
+91 11 2358 4603

**Kolkata:**  
2nd Floor, Unit Number 2A,  
Tirumala 22,  
East Topsia Road,  
Kolkata - 700 046  
Ph. No. : +91 98310 12054

**Bangalore:**  
Adventz Center, Ground Floor 28,  
Cubbon Road, Shivaji Nagar,  
Bangalore - 560 001  
Ph. No. : +91 80 4530 0400,  
+91 80 4530 0401

**Indore:**  
Office No.106 and 107-A,  
"Brilliant Titanium",  
Plot No.9, Scheme No.78, Part-II,  
Indore - 452 010  
Ph. No. : +91 96 9168 4480

**Training Center Address:**  
Hettich Poddar Wood Work Institute  
Plot No.2, 1st Floor, DLF Industrial Estate-1  
Near NHPC Metro Station,  
Faridabad- Haryana  
Ph: +91 129 4203888  
Email: info@hpwwi.com

**Mumbai:**  
202, Duro-lite House, Opp. SAB TV,  
New Link Road, Andheri ( West),  
Mumbai - 400 053  
Ph.No. : +91 22 2639 9707

**Hyderabad:**  
" Sai Krishna "  
797 - A, 2nd Floor,  
Road No. 36, Jubilee Hills,  
Hyderabad - 500 034  
Ph. No. :+91 40 2355 8994

**Kochi:**  
41/2062D, 2nd Floor  
Palarivattom signal  
junction, NH 47 By-pass,  
Kochi - 682 028  
Ph. No. : +91 48 4402 8242

**Enquiry & Customer Services**  
Toll Free : 1800 209 2096 (office hours)  
Email: sales\_enquiry@in.hettich.com  
customer\_services@in.hettich.com  
www.hettich.com

**Chennai:**  
"Heavitree", Ground Floor,  
47, Spur Tank Road,  
Chetpet, Chennai - 600 031  
Ph. No. : +91 44 4263 7227

**Ahmedabad:**  
1st Floor, Unit No. 102,  
Safal Pegasus,  
Anand Nagar,  
Ahmedabad - 380 015,  
Ph. No. : +91 79 4032 2824

**Chandigarh:**  
2nd Floor, Aspire Tower,  
Plot no. 55, Industrial  
& Business park, Phase 1,  
Chandigarh - 160 002  
Ph. No. : +91 172 5012 347

Technik für Möbel

  
**Hettich**





10.2019

[www.hettich.com](http://www.hettich.com)

Technik für Möbel

  
**Hettich**